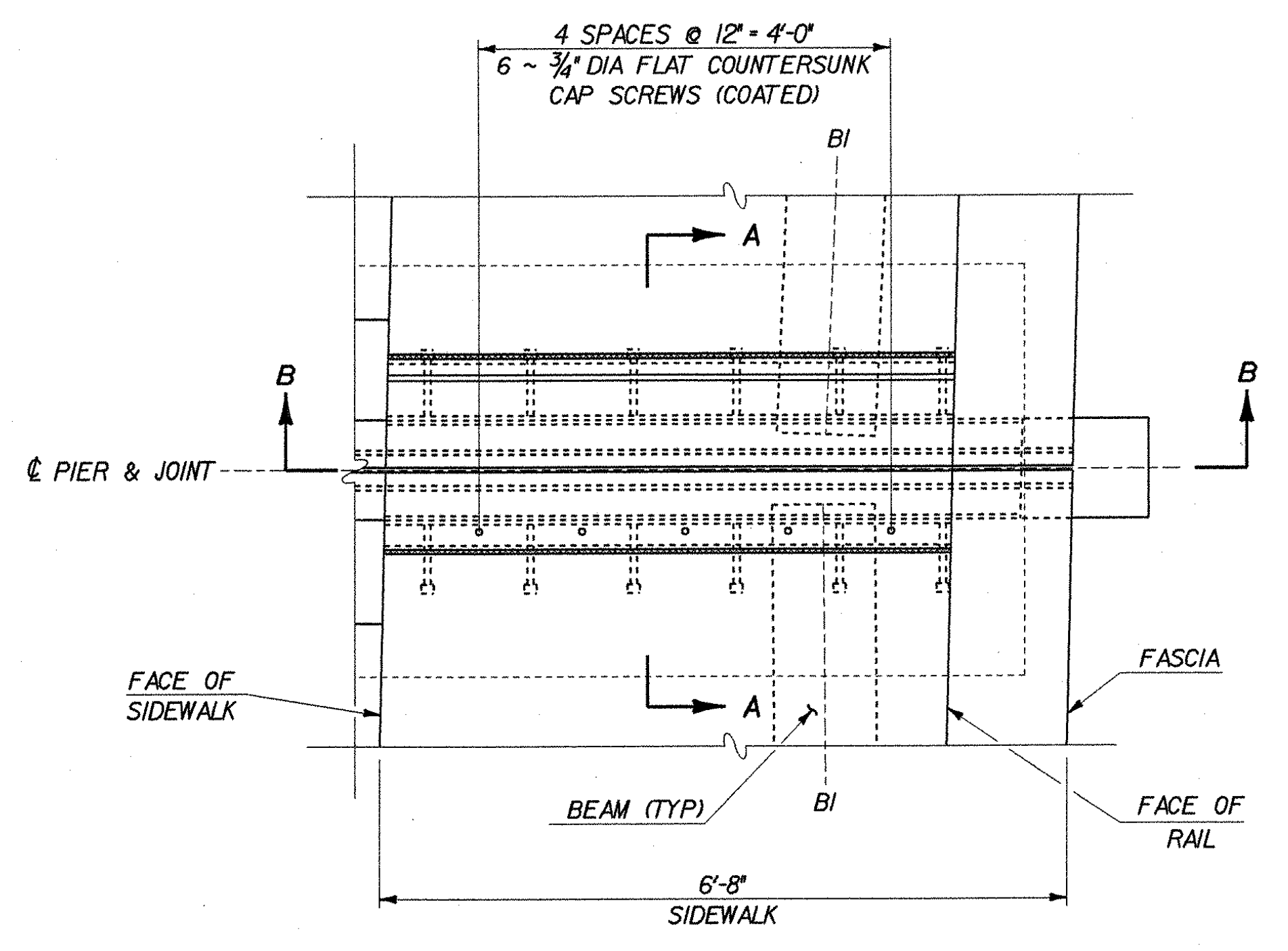
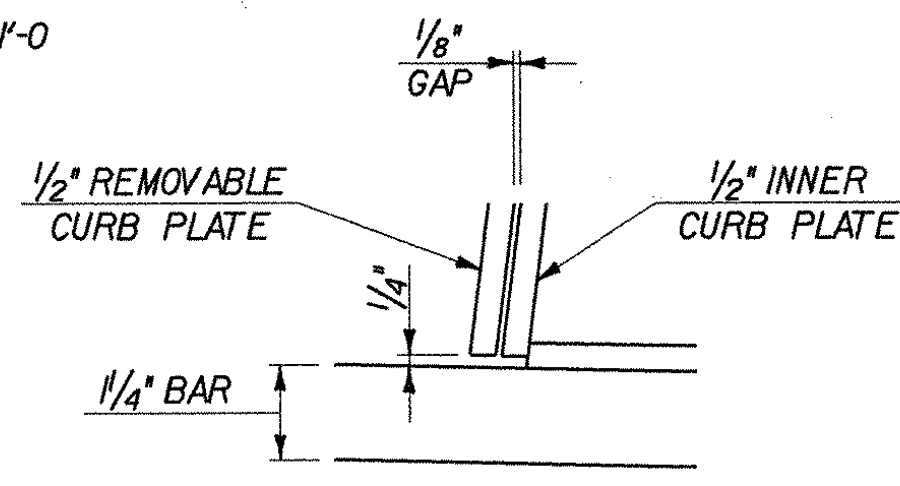


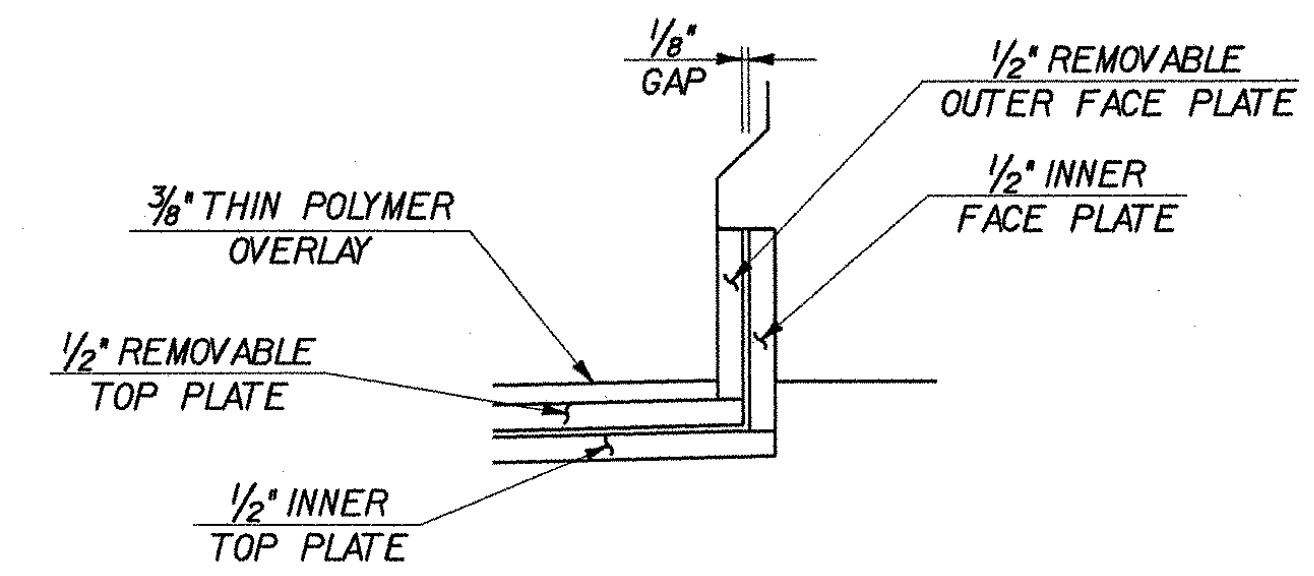
PLAN
SCALE: 1/2" = 1'-0"



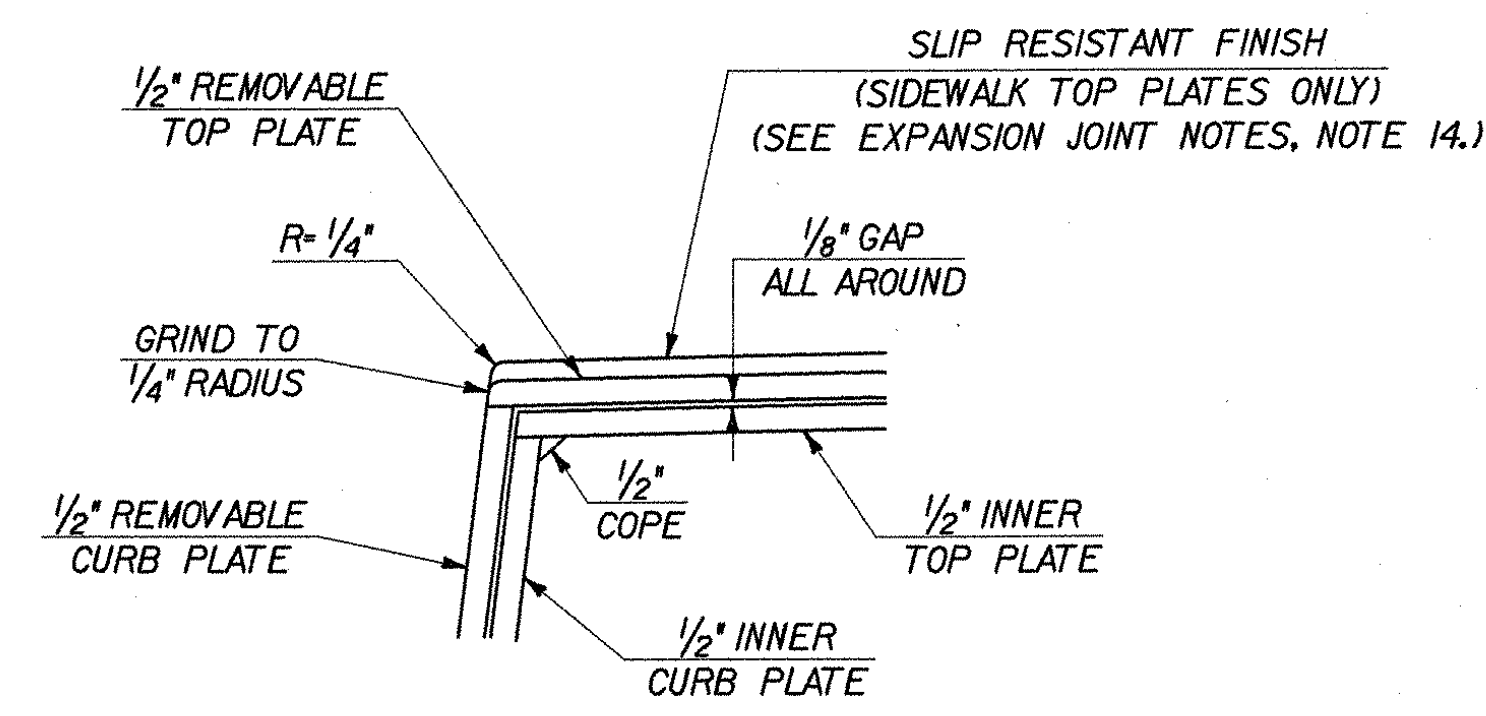
TYPICAL SIDEWALK PLAN
SCALE: 3/4" = 1'-0"



DETAIL B
SCALE: 3" = 1'-0"

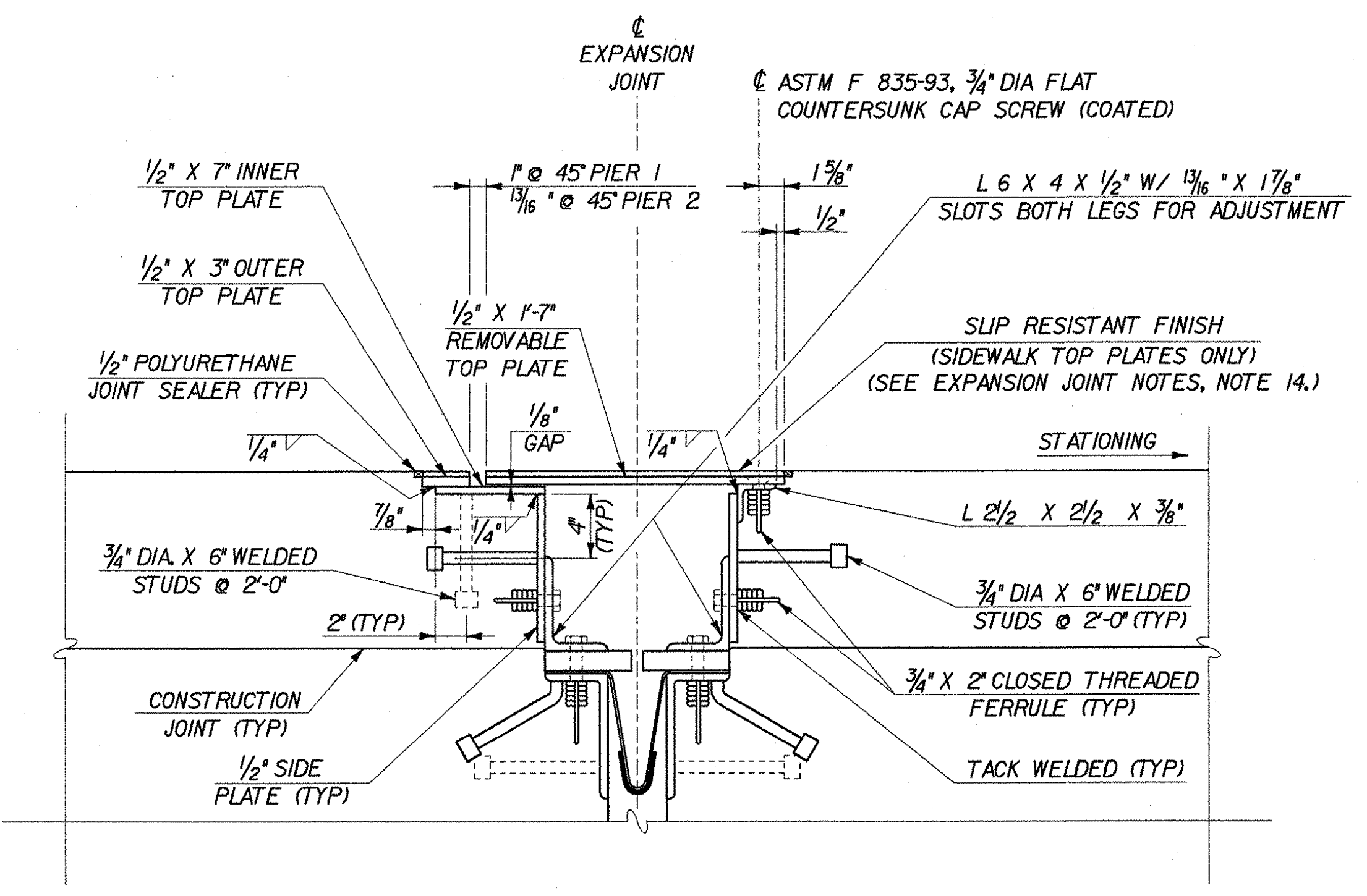


DETAIL C
SCALE: 3" = 1'-0"

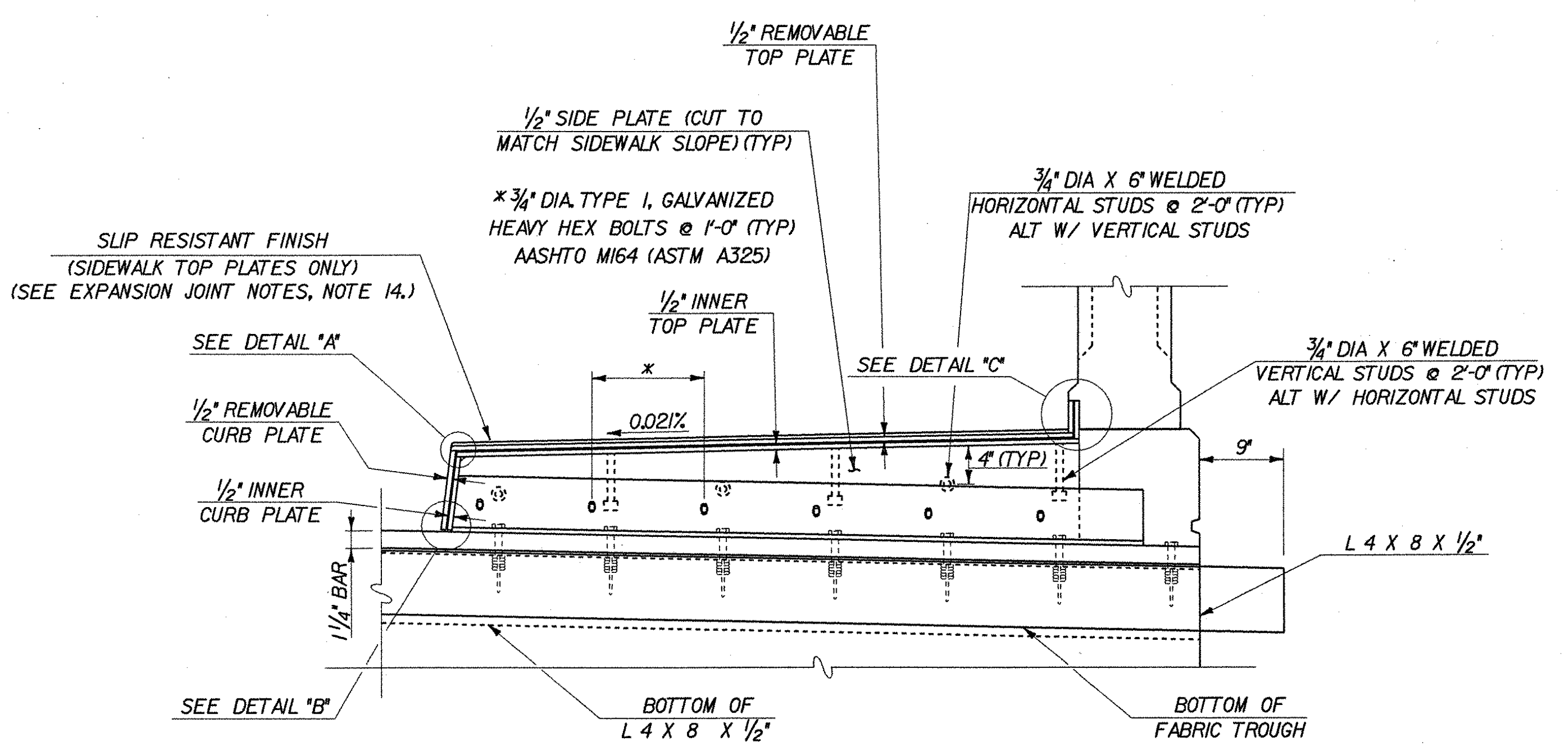


DETAIL A
SCALE: 3" = 1'-0"

NOTE:
FOR EXPANSION JOINT NOTES, SEE SHEET 22.



SECTION A-A
SCALE: 1 1/2" = 1'-0"
(NORMAL TO BEARING)
(REINFORCING NOT SHOWN)



SECTION B-B
SCALE: 1" = 1'-0"

STATE OF VERMONT AGENCY OF TRANSPORTATION			
Town Of	LYNDON	Bridge No.	2
Highway No.	ALT VT 122	Log Sta.	
		Surv. Sta.	
CENTER STREET OVER PASSUMPSIC RIVER EXPANSION JOINT DETAILS - 1			
Designed By	T. GRANT/S. MERKMAN	Drawn By	S. DELIA/S. MERKMAN
Checked By	T. GRANT/R. WOOD	Bridge Design Supervisor	M. ZYDEL
	Date 10/01	Date	10/01
PROJECT	LYNDON	PROJECT NO.	BHO 1447(26)
I.G.C. Info.	m:\549103\600n\2\J238\jdl.dgn		
Bridge Sheet No.		Sheet	21 of 34

