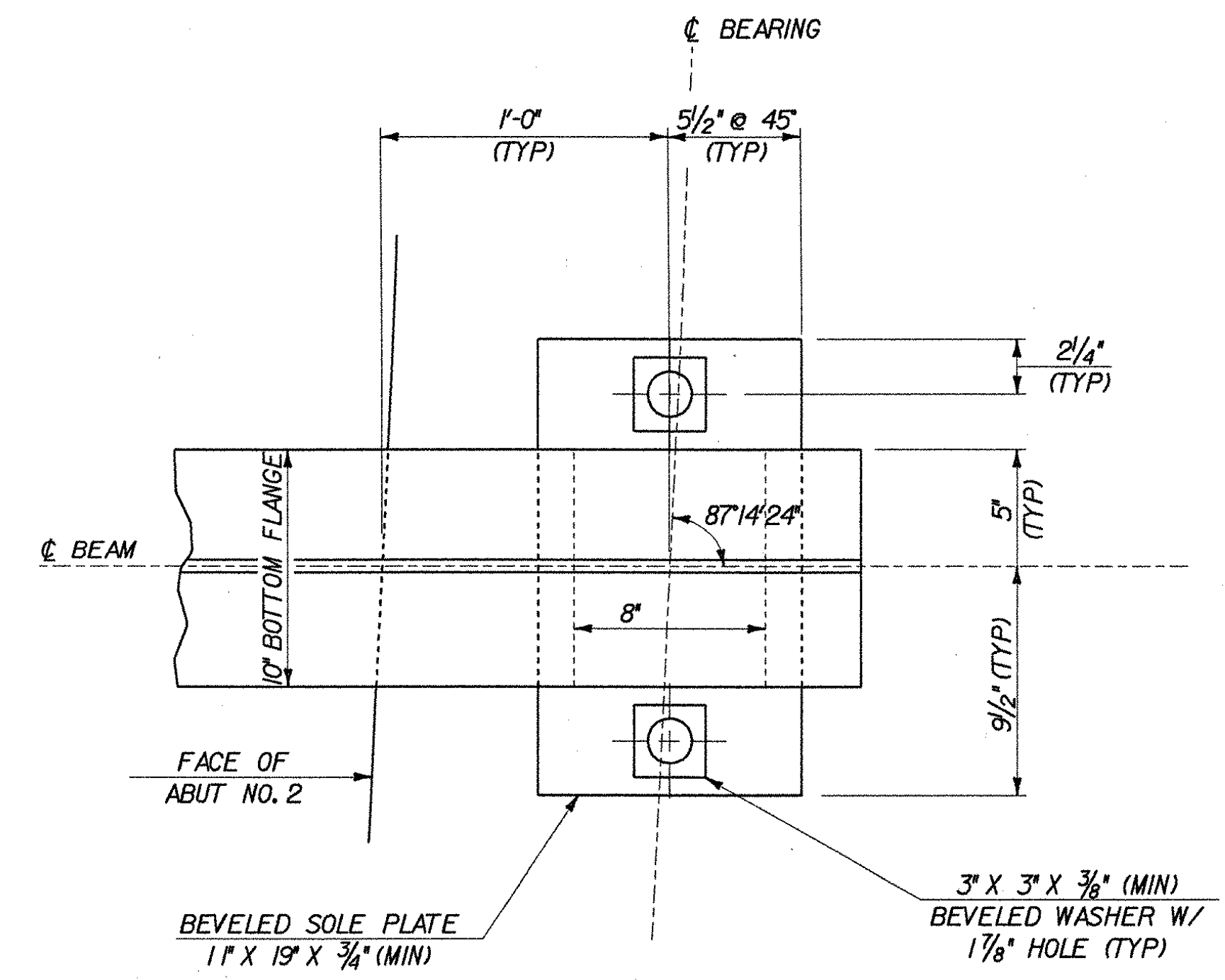
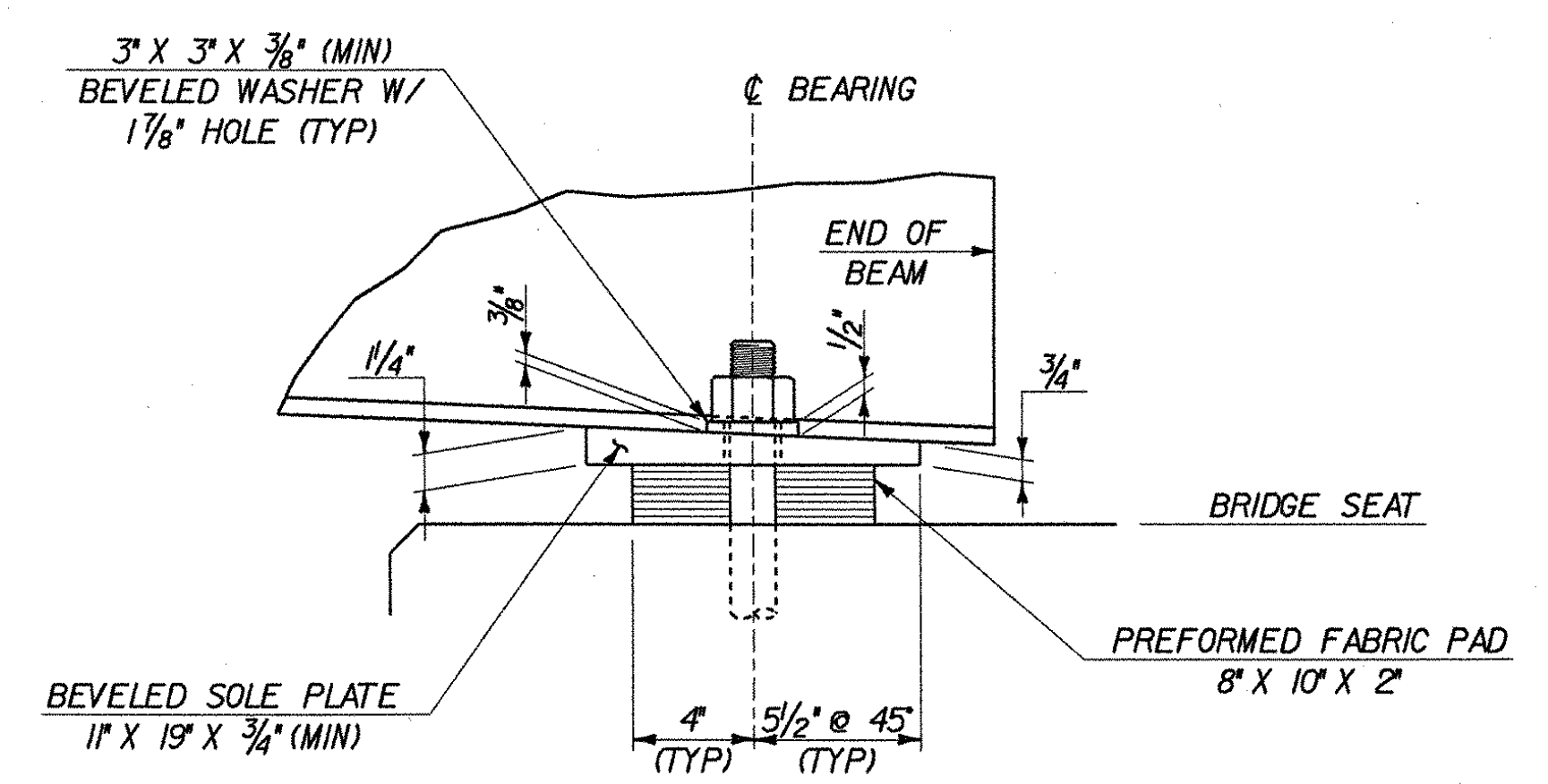
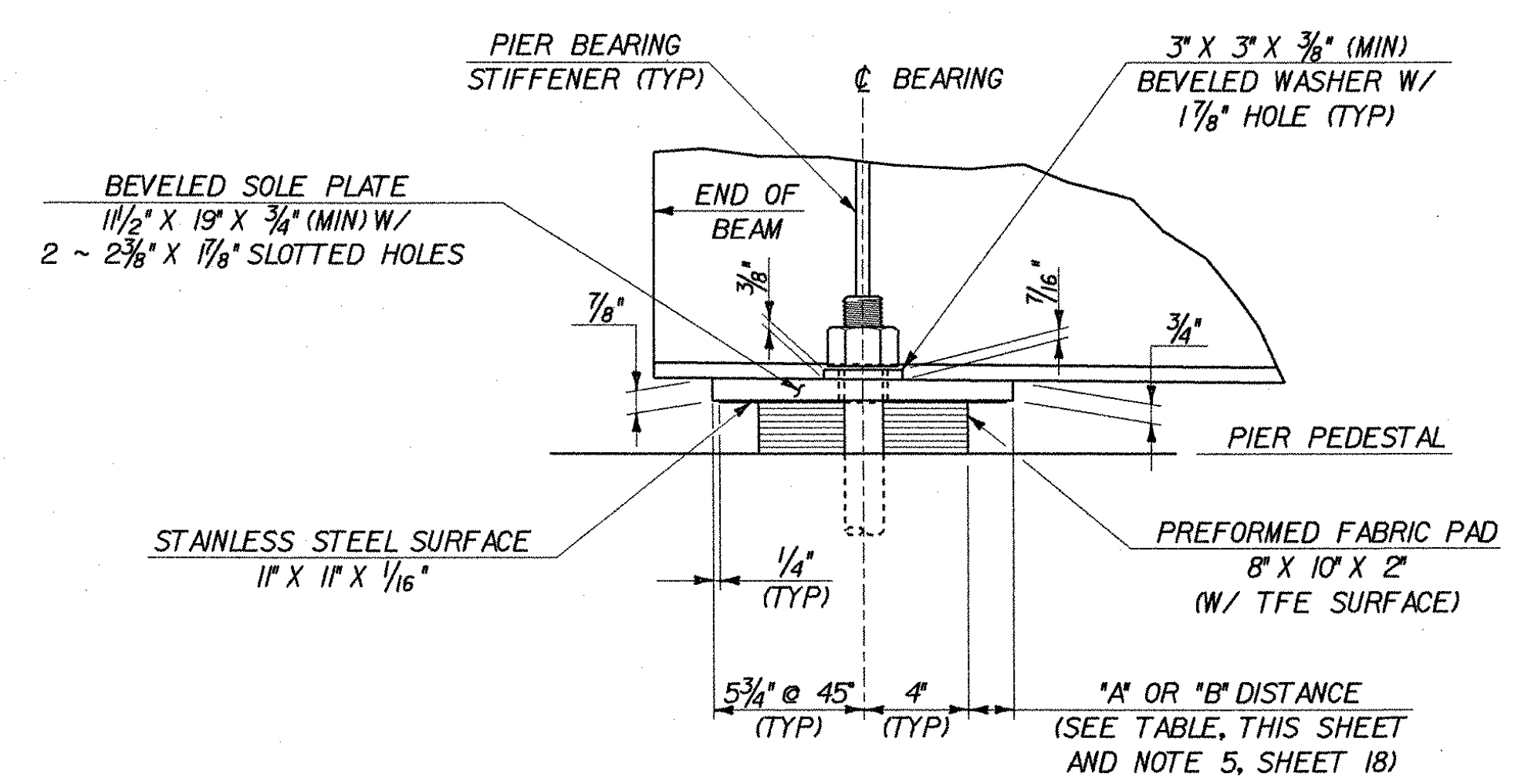


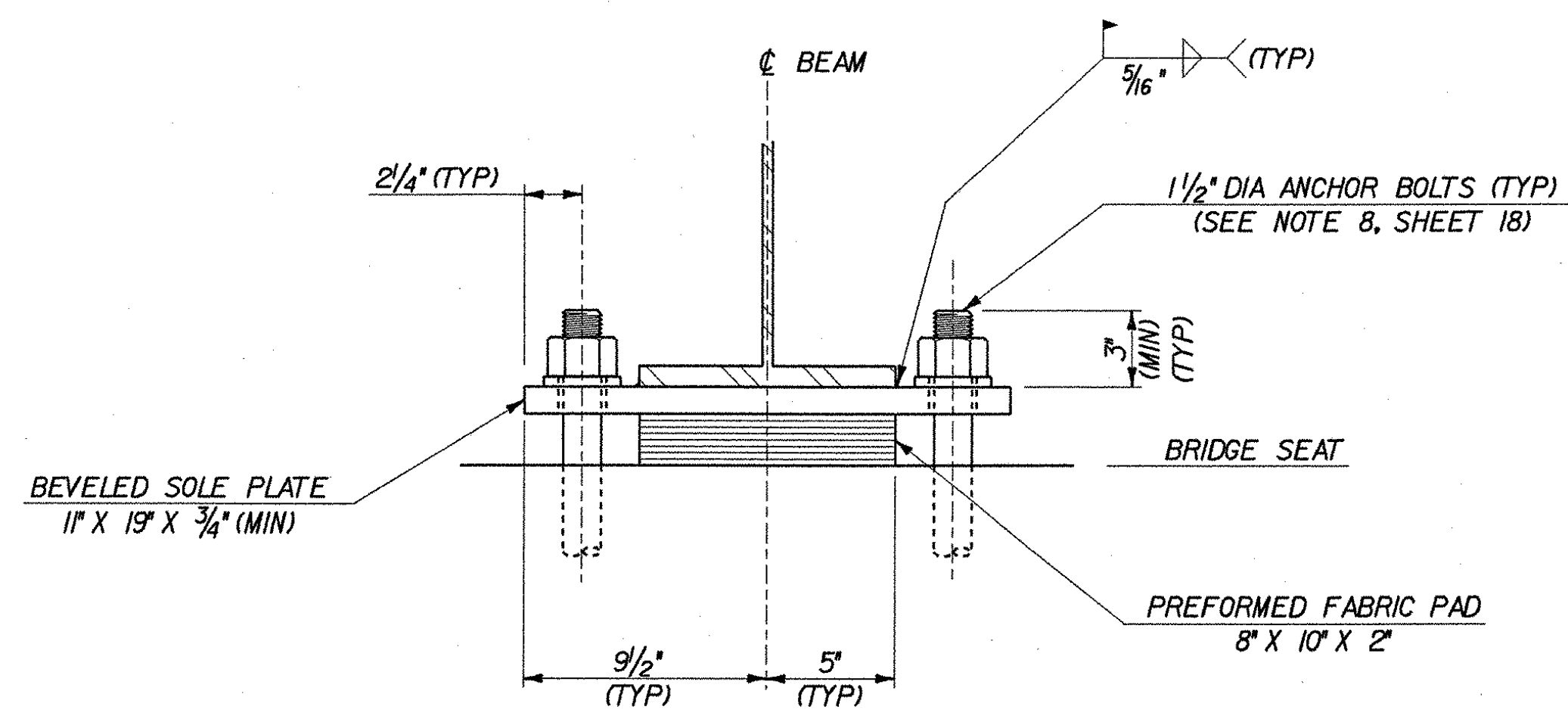
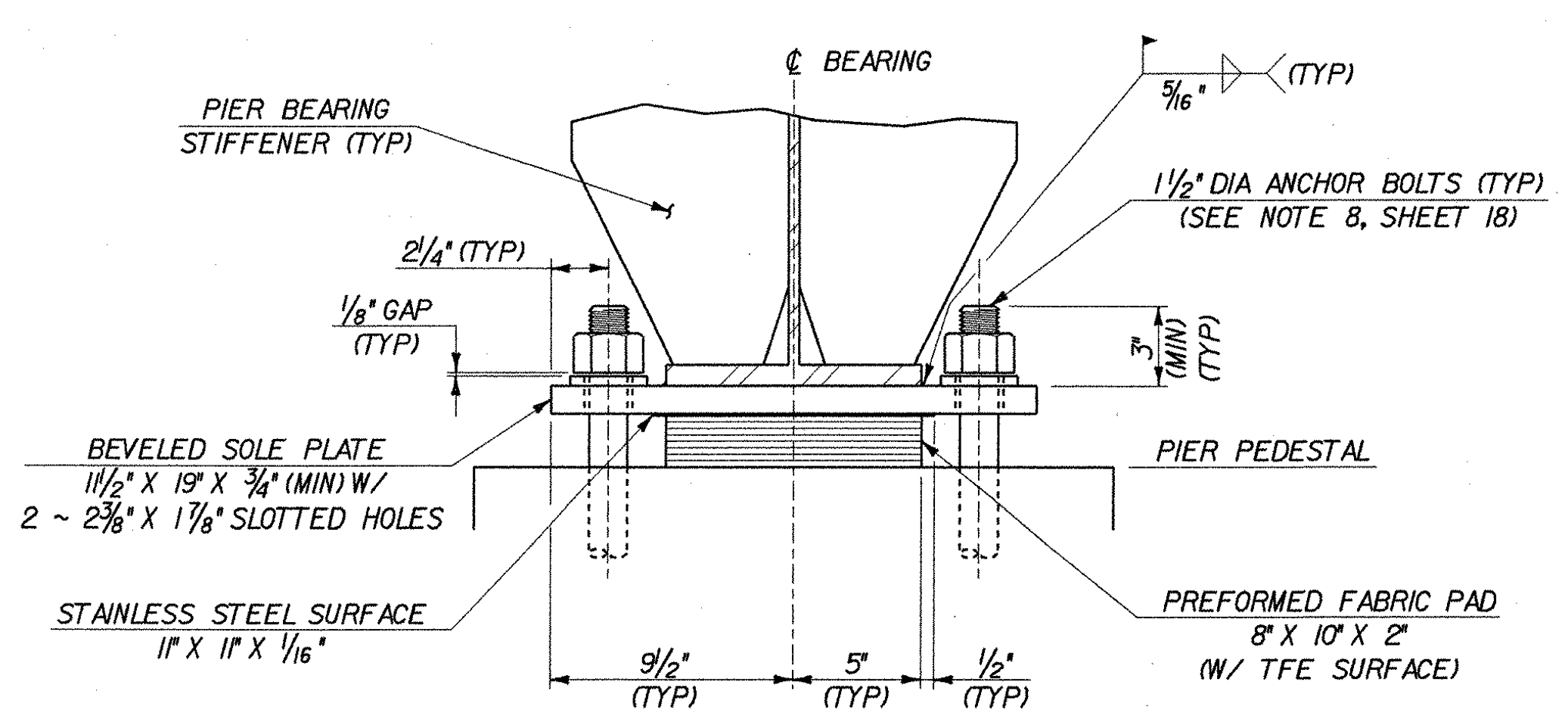
PLAN VIEW



SIDE ELEVATION



FRONT VIEW



BEARING NO. 2 AT PIER NO. 2
TEMPERATURE SETTING TABLE

TEMP	"A" DIST	"B" DIST
0° F	1 7/8"	2"
15° F	1 13/16"	1 15/16"
30° F	1 13/16"	1 7/8"
45° F	1 3/4"	1 7/8"
60° F	1 11/16"	1 13/16"
75° F	1 11/16"	1 13/16"
90° F	1 5/8"	1 3/4"
105° F	1 5/8"	1 11/16"

"A" IS THE DISTANCE WITH ALL DEAD LOAD IN PLACE
"B" IS THE DISTANCE BEFORE DECK IS IN PLACE

EXPANSION BEARING NO. 2 AT PIER NO. 2
SCALE: 2" = 1'-0"

FIXED BEARING AT ABUTMENT NO. 2
SCALE: 2" = 1'-0"

**STATE OF VERMONT
AGENCY OF TRANSPORTATION**

Town Of	LYNDON	Bridge No.	2
Highway No.	ALT VT 122	Log Sta.	
		Surv. Sta.	
CENTER STREET OVER PASSUMPSIC RIVER			
BEARING DETAILS - 3			
Designed By	T. GRANT	Drawn By	S. DELIA
Checked By	Date	Bridge Design Supervisor	
	T. GRANT	M. ZYDEL	Date 10/01
PROJECT	LYNDON	PROJECT NO.	BHO 1447(26)
I.G.C. Info.	m:\549103\6conf\z\238bd3.dgn		
Bridge Sheet No.		Sheet	20 of 34

