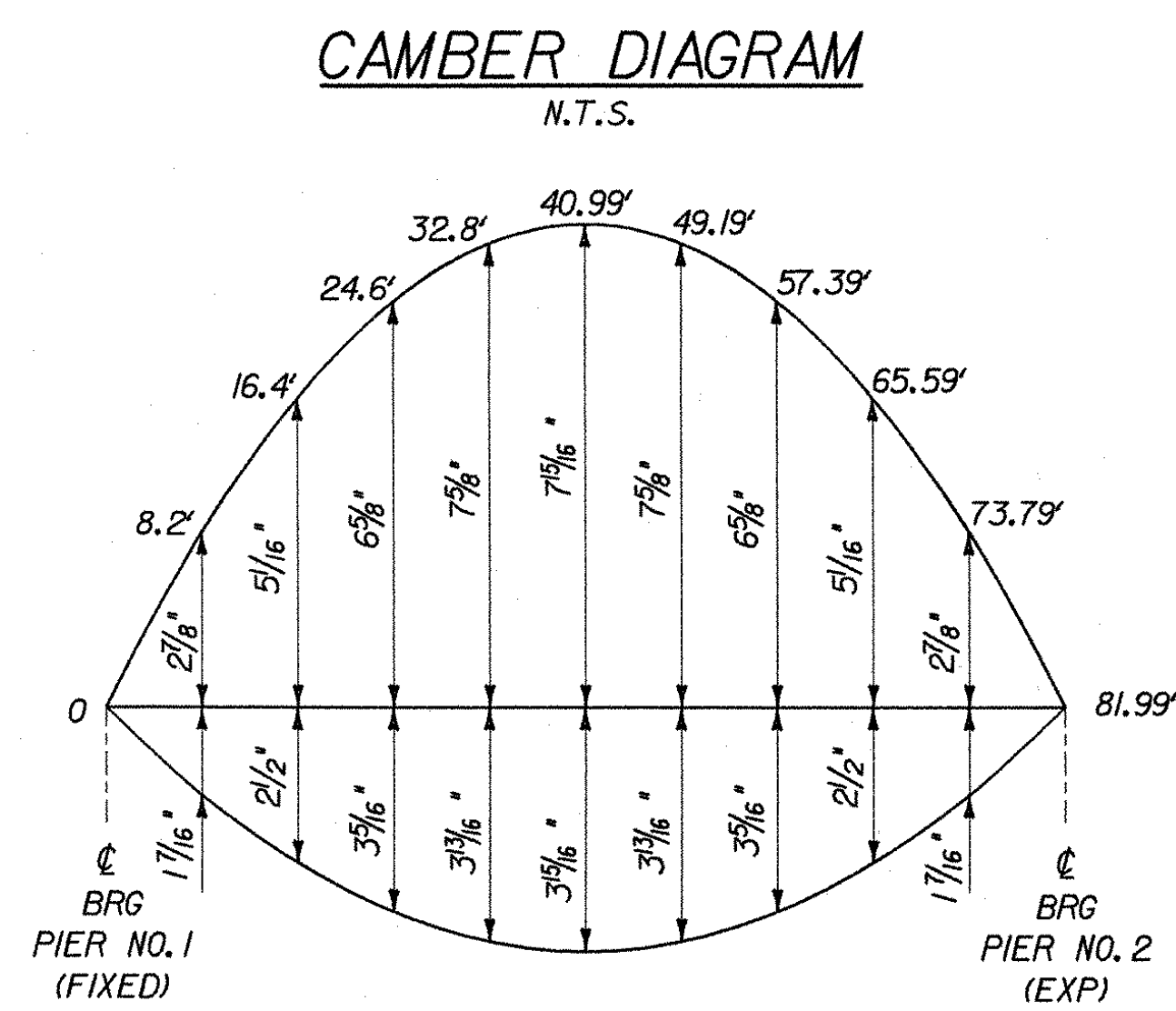


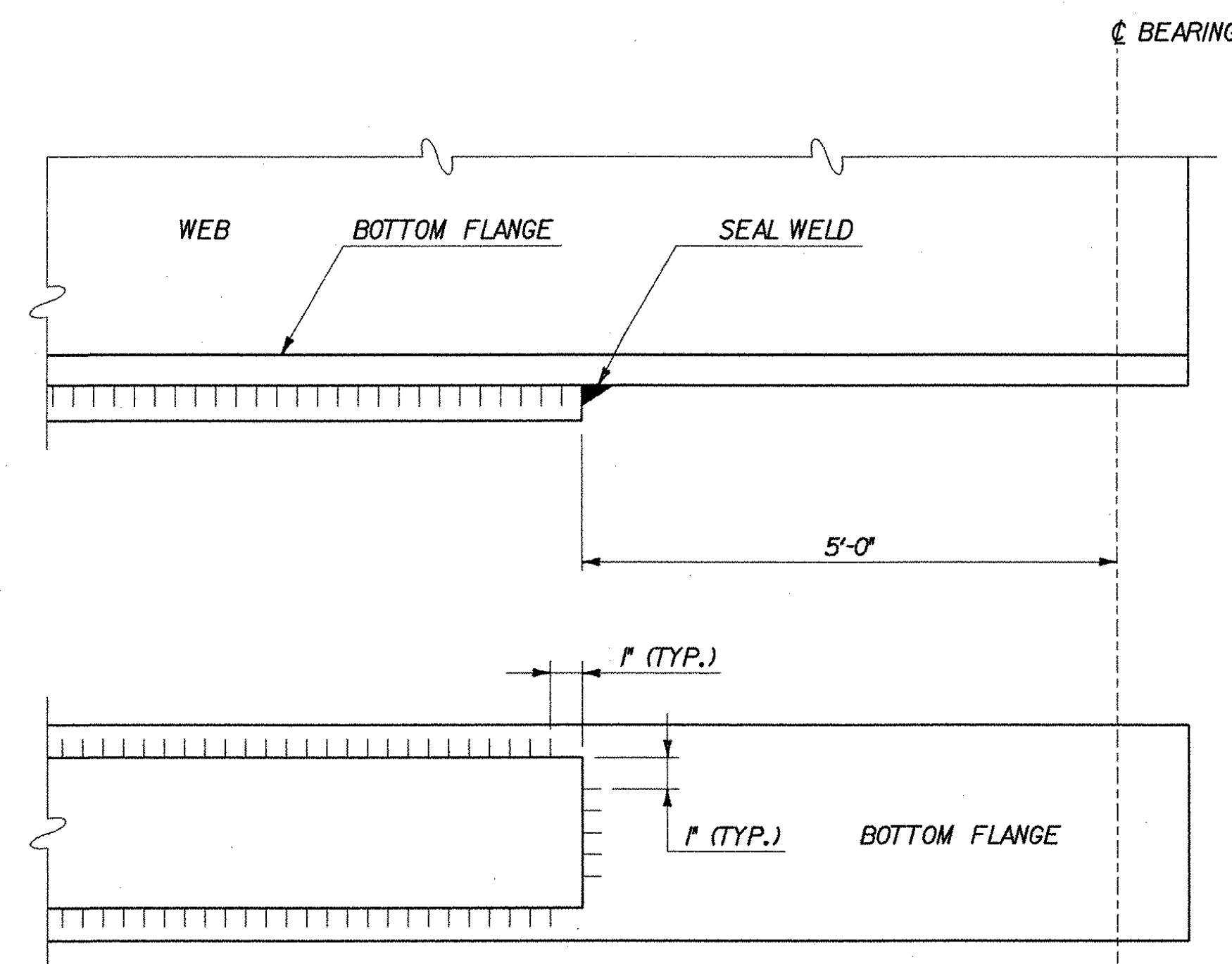
**SPAN NO. 2 BEAM ELEVATION**  
NOT TO SCALE

(CVN) INDICATES CHARPY V-NOTCH TESTING  
REQUIRED PER SPECIFICATION  
(SEE NOTE 26, SHEET 12)

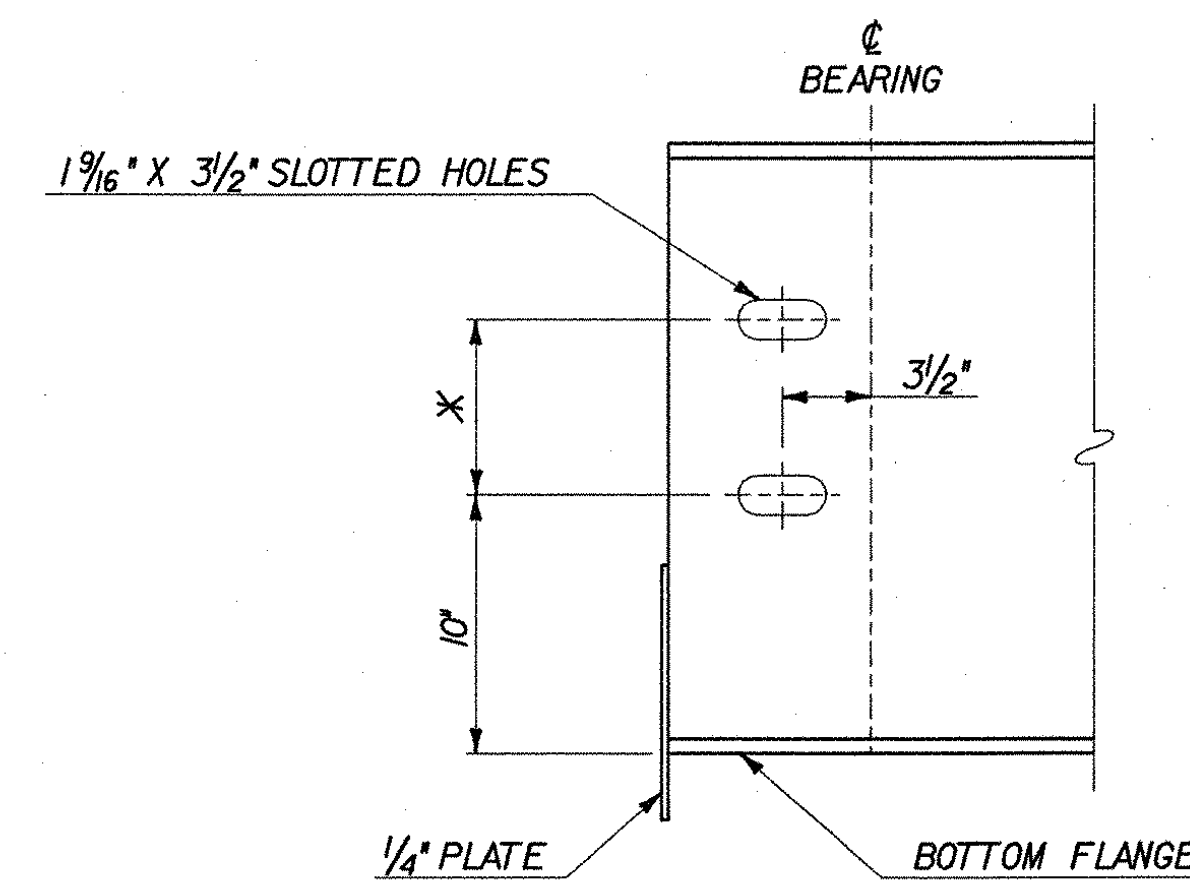


**DL DEFLECTION DIAGRAM**  
N.T.S.

CAMBER AND DEFLECTION MEASUREMENTS  
ARE GIVEN IN INCHES AT TENTH POINTS



**COVER PLATE WELD DETAIL**  
N.T.S.



\* W24 BEAMS - 8"  
W33 BEAMS - 11"

**DETAIL A**  
SCALE: 1 1/2" = 1'-0"

SLOTTED HOLES ARE FOR HORIZONTAL REINFORCING  
BARS IN FRONT FACE OF CURTAIN WALL

**STATE OF VERMONT  
AGENCY OF TRANSPORTATION**

Town Of	LYNDON	Bridge No.	2
Highway No.	ALT VT 122	Log Sta.	
		Surv. Sta.	
<b>CENTER STREET OVER PASSUMPSIC RIVER</b>			
<b>BEAM DETAILS - 2</b>			
Designed By	T. GRANT	Drawn By	S. DELIA
Checked By	T. GRANT	Date	10/01
		Bridge Design Supervisor	M. ZYDEL
		Date	10/01
PROJECT	LYNDON	PROJECT NO.	BHO 1447(26)
I.G.C. Info.	m\549103\6conf\z\238gd2.dgn		
Bridge Sheet No.		Sheet	17 of 34

