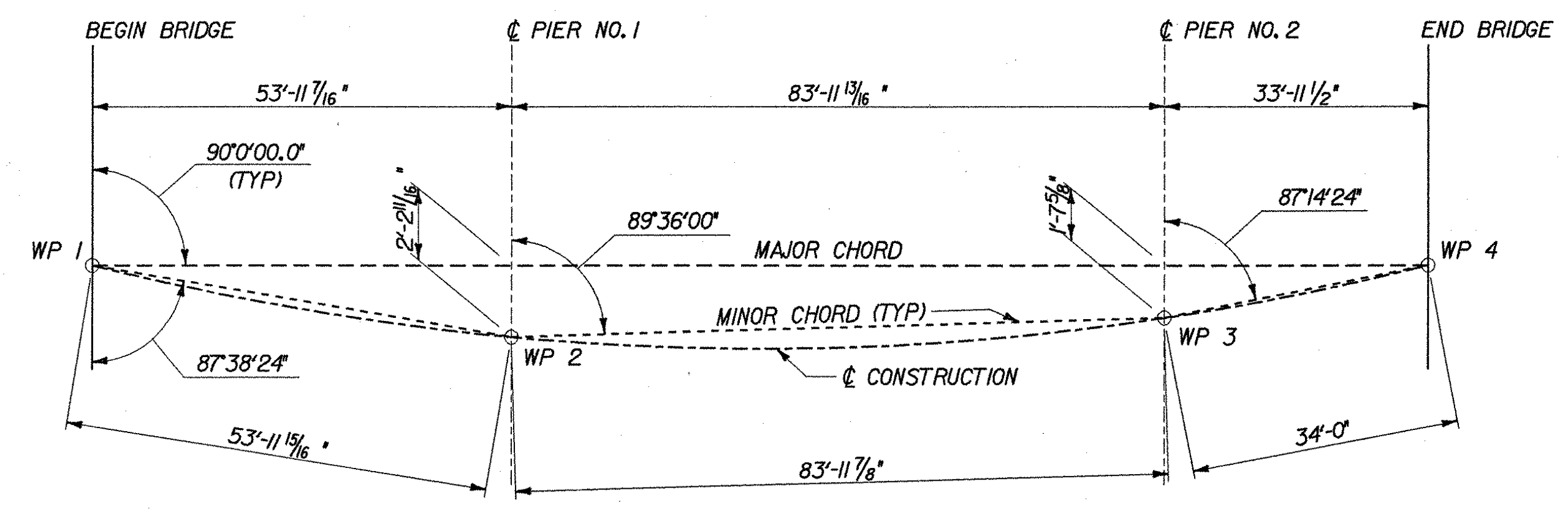


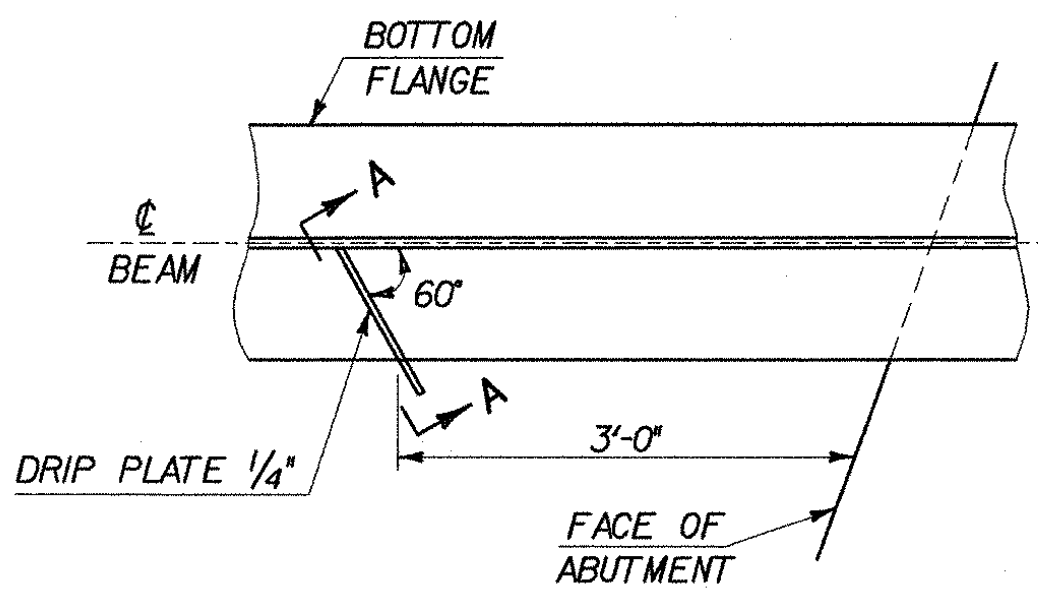
**FRAMING PLAN**

SCALE: 1/8" = 1'-0"  
 \* - ANGLE BETWEEN BEARING AND PERPENDICULAR TO C.C. OF BEAMS (MINOR CHORD)



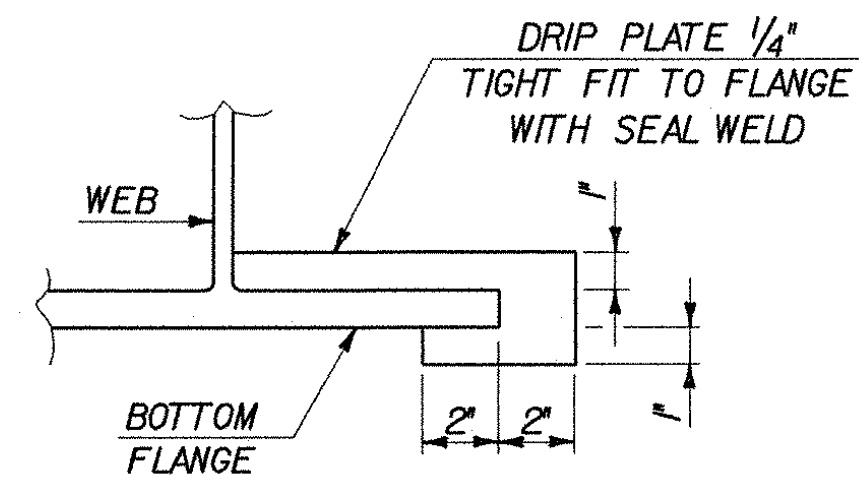
**CHORD LAYOUT**

N.T.S.  
 (WORKING POINTS AT ABUTMENTS FOLLOW ORIGINAL LAYOUT (1960) AND ARE NOT AT THE CENTERLINE OF BEARINGS.)



**PLAN DRIP PLATE**

NOT TO SCALE



**SECTION A - A**

NOT TO SCALE

NOTE: DRIP PLATES SHALL BE PLACED ON OUTSIDE EDGE OF FASCIA BEAMS ON THE HIGH SIDE OF ALL PIERS AND ABUTMENTS OR AS INDICATED ON PROJECT PLANS.

<b>STATE OF VERMONT AGENCY OF TRANSPORTATION</b>			
Town Of	LYNDON	Bridge No.	2
Highway No.	ALT VT 122	Log Sta.	
		Surv. Sta.	
<b>CENTER STREET OVER PASSUMPSIC RIVER</b>			
<b>FRAMING PLAN</b>			
Designed By	T.GRANT	Drawn By	S.DELIA
Checked By	T.GRANT	Date	10/01
		Bridge Design Supervisor	M.ZYDEL
		Date	10/01
PROJECT	LYNDON	PROJECT NO.	BHO 1447(26)
I.G.C. Info.	m:\V549103\6conf\z\238f.pl.dgn		
Bridge Sheet No.		Sheet	15 of 34

