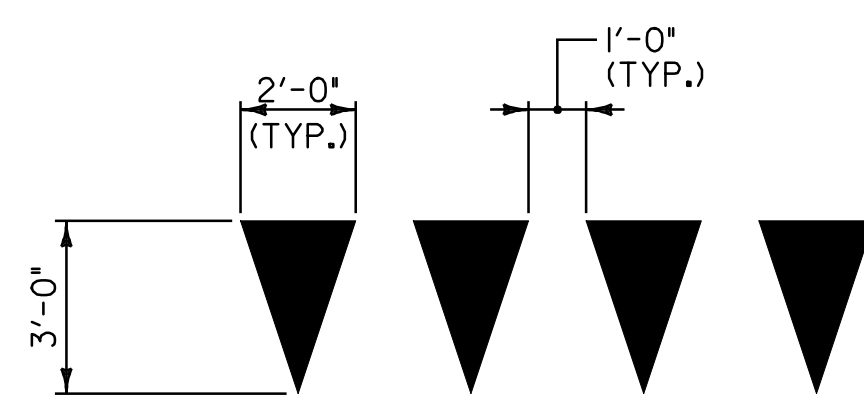


DETAIL OF DURABLE CROSSWALK MARKINGS

NOT TO SCALE

NOTES:

1. THE PER FOOT COST OF INSTALLED CROSSWALK, SHALL BE PAID AS ITEM 646.51 DURABLE CROSSWALK MARKINGS WITH DIAGONAL LINES (MOD.) AND 646.71 TEMPORARY CROSSWALK MARKINGS WITH DIAGONAL LINES (MOD.)
2. ADJUST SPACING (12" - 24") TO AVOID WHEEL PATHS.

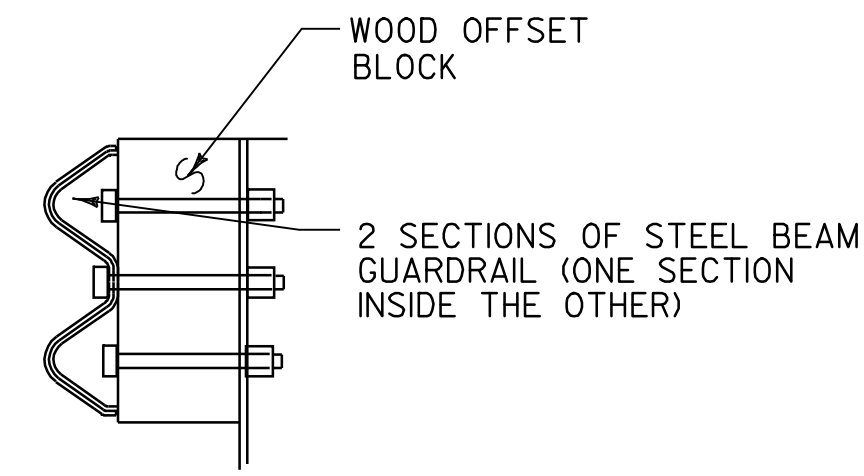


YIELD LINE DETAILS

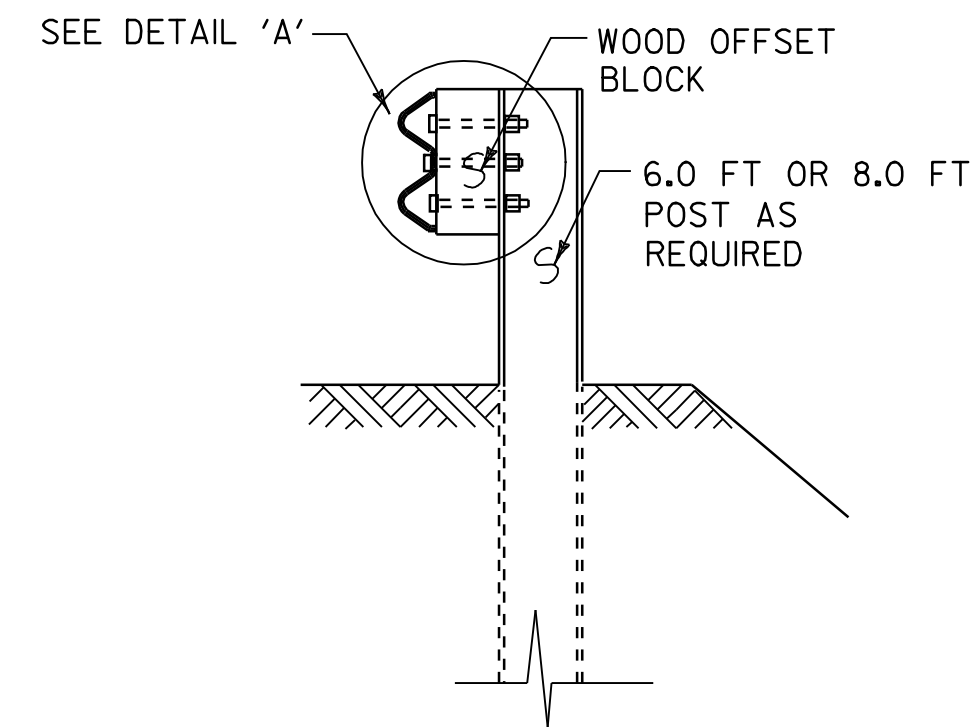
NOT TO SCALE

NOTE:

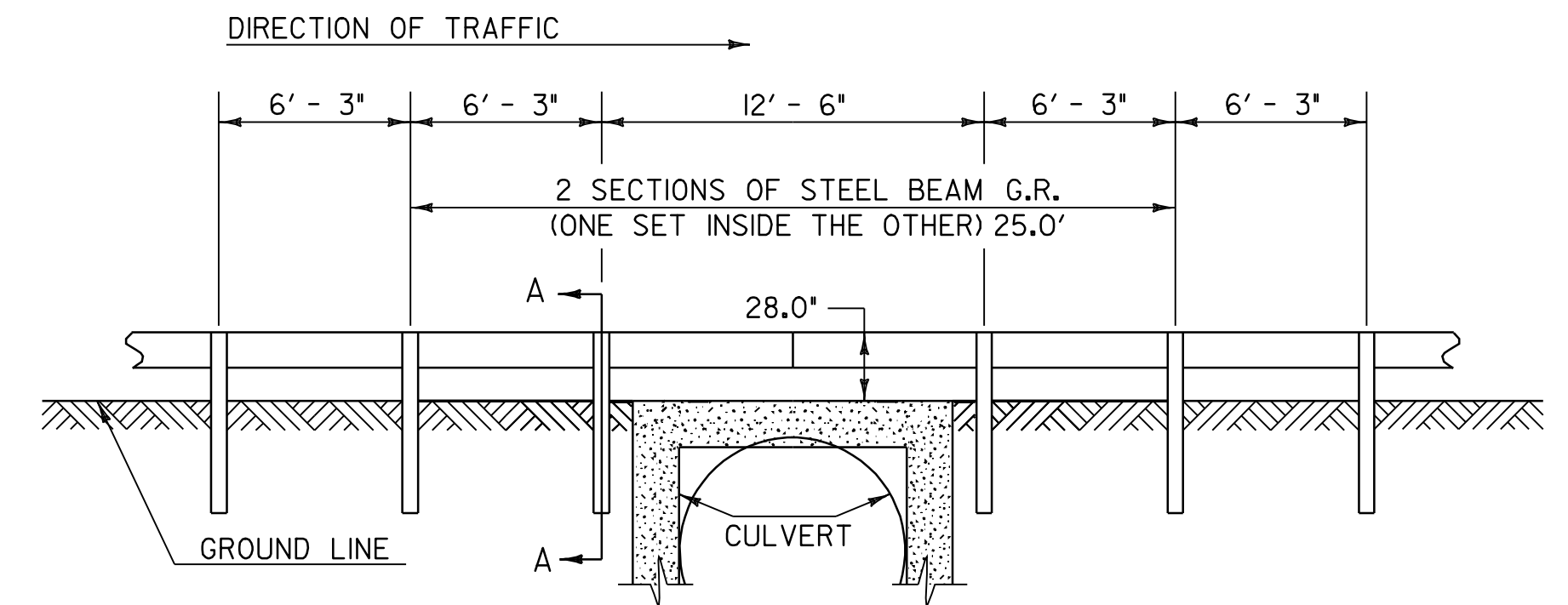
1. EACH TRIANGLE SHALL BE PAID AS ONE EACH UNDER ITEMS 646.50 DURABLE LETTER OR SYMBOL AND 646.70 TEMPORARY LETTER OR SYMBOL.



DETAIL A
NOT TO SCALE



SECTION A-A
NOT TO SCALE



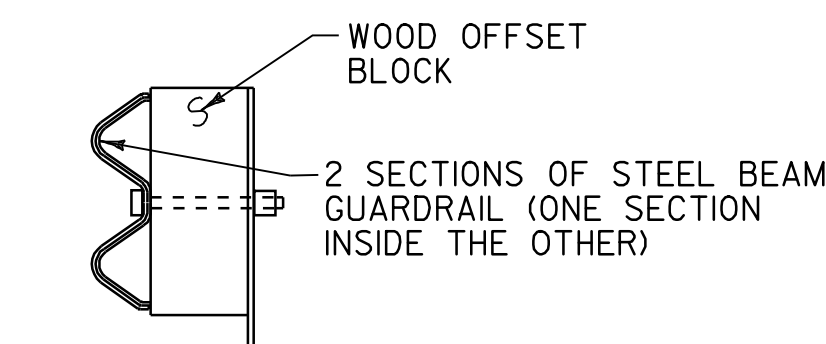
DETAIL OF STEEL BEAM GUARDRAIL AT SMALL CULVERTS

U.S. ROUTE 7 BRIDGE 87 CLARENDON STA. 11+61.60 LT
U.S. ROUTE 7 BRIDGE 87 CLARENDON STA. 11+61.60 RT

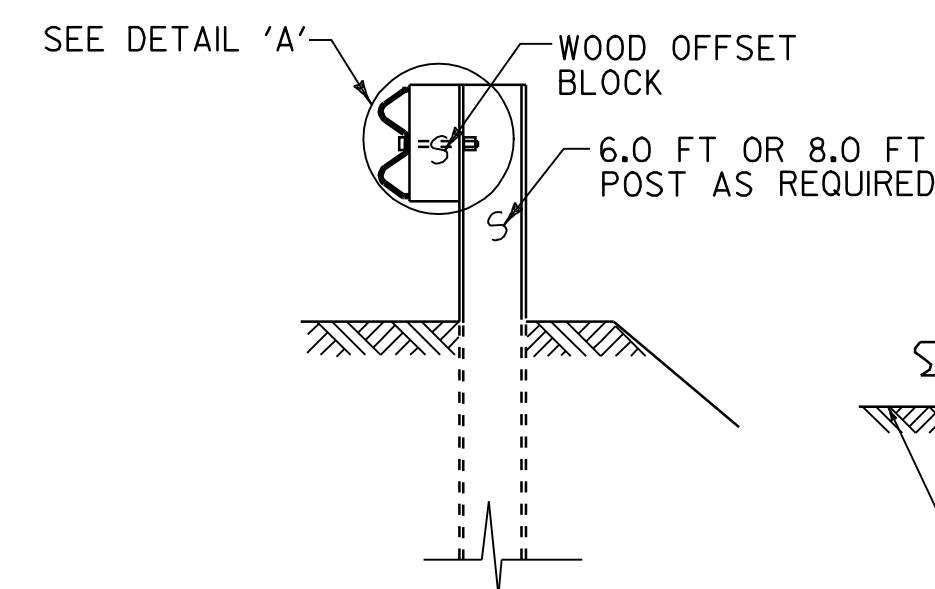
NOT TO SCALE

NOTES

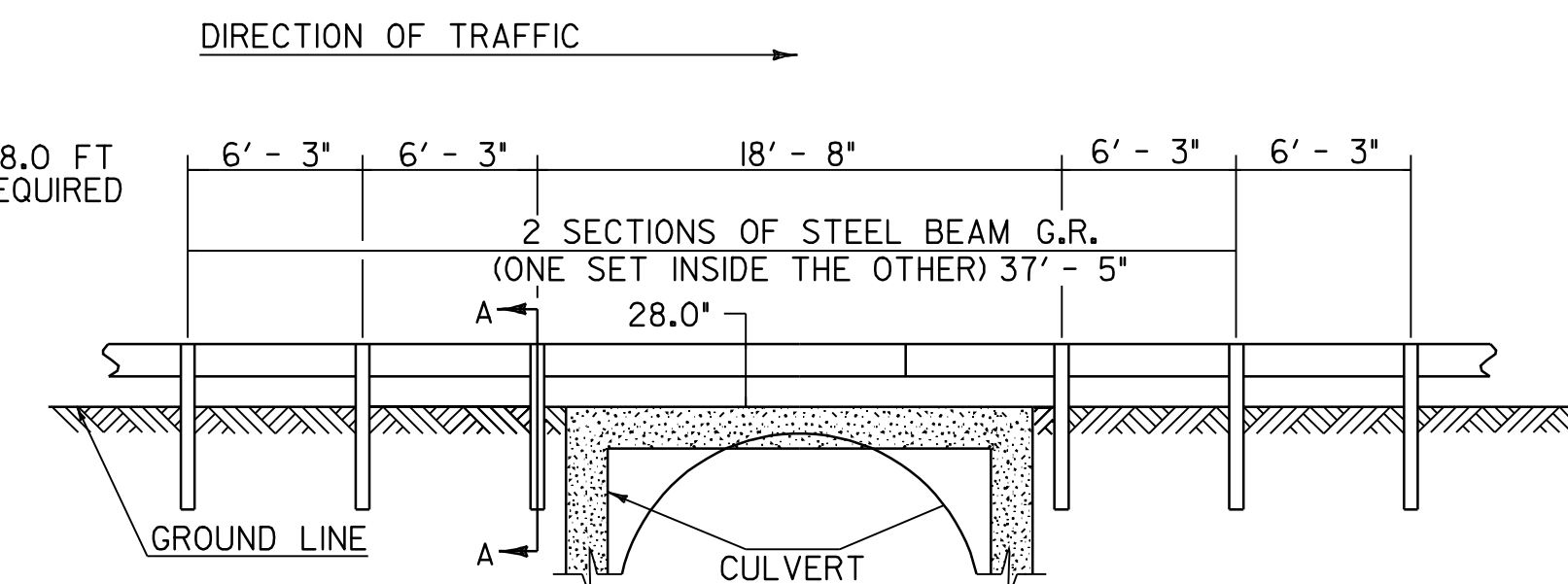
1. SEE STANDARD G-1 FOR STEEL BEAM GUARDRAIL DETAILS.
2. THIS WORK SHALL BE PAID UNDER ITEM 621.20, STEEL BEAM GUARDRAIL AT A PAY FACTOR OF 1.0.
3. THIS DETAIL TO BE USED AS INDICATED ON THE ITEM DETAIL SUMMARY SHEETS OR AS DIRECTED BY THE RESIDENT ENGINEER.



DETAIL A
NOT TO SCALE



SECTION A-A
NOT TO SCALE



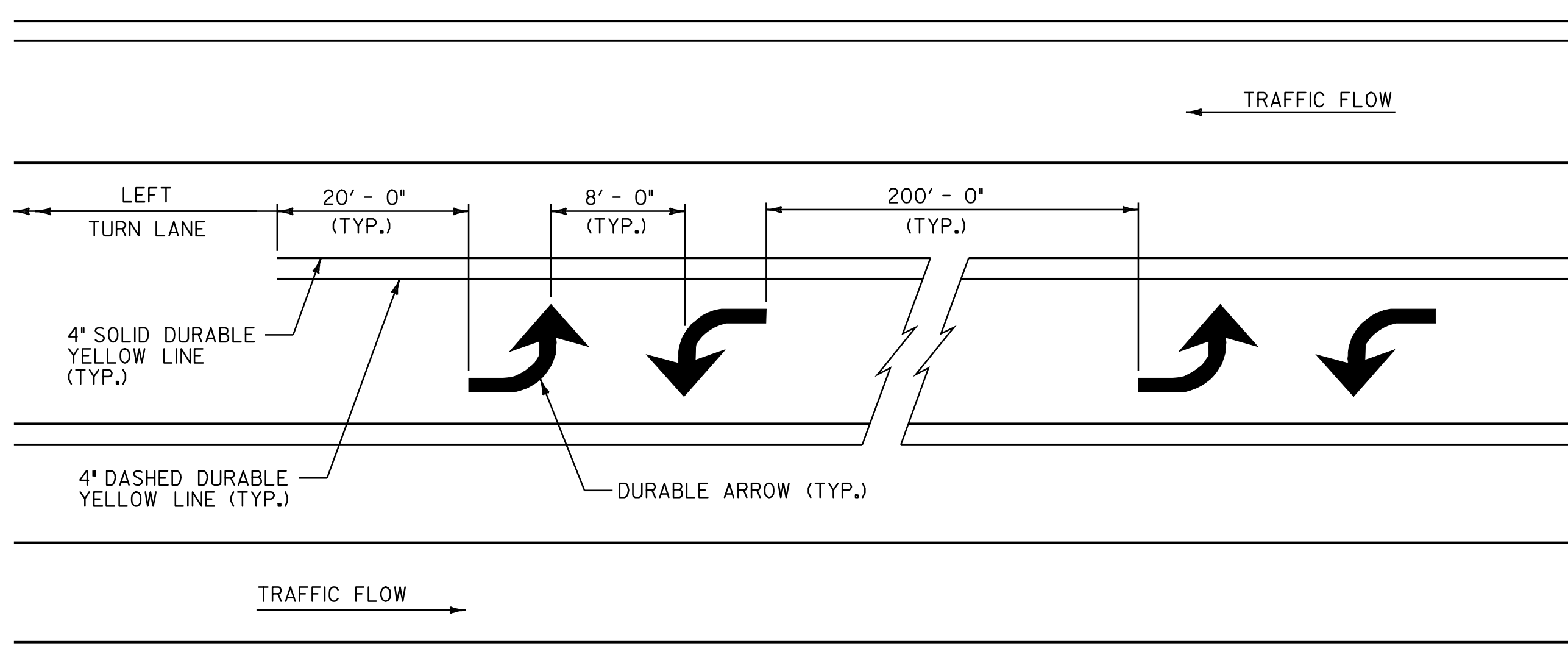
DETAIL OF STEEL BEAM GUARDRAIL AT LARGE CULVERTS

U.S. ROUTE 7 BRIDGE 95-N CLARENDON STA. 279+94.56, RT

NOT TO SCALE

NOTES

1. SEE STANDARD G-1 FOR STEEL BEAM GUARDRAIL DETAILS.
2. THIS WORK SHALL BE PAID UNDER ITEM 621.20 STEEL BEAM GUARDRAIL AT A PAY FACTOR OF 1.0.
3. THIS DETAIL TO BE USED AS INDICATED ON THE ITEM DETAIL SUMMARY SHEETS OR AS DIRECTED BY THE RESIDENT ENGINEER.



TWO WAY LEFT - TURN LANE MARKINGS DETAIL

NOT TO SCALE

**MISCELLANEOUS
DETAIL
SHEET #1**

PROJECT NAME: WALLINGFORD - RUTLAND TOWN
PROJECT NUMBER: AC NH 2207(I)S

FILE NAME: p99bl66.dgn
PROJECT LEADER: D.E.G.
DESIGNED BY: D.W.E.

PLOT DATE: 12-MAR-2007 11:35
DRAWN BY: C.A.K.
CHECKED BY: D.E.G.
SHEET 94 OF 95