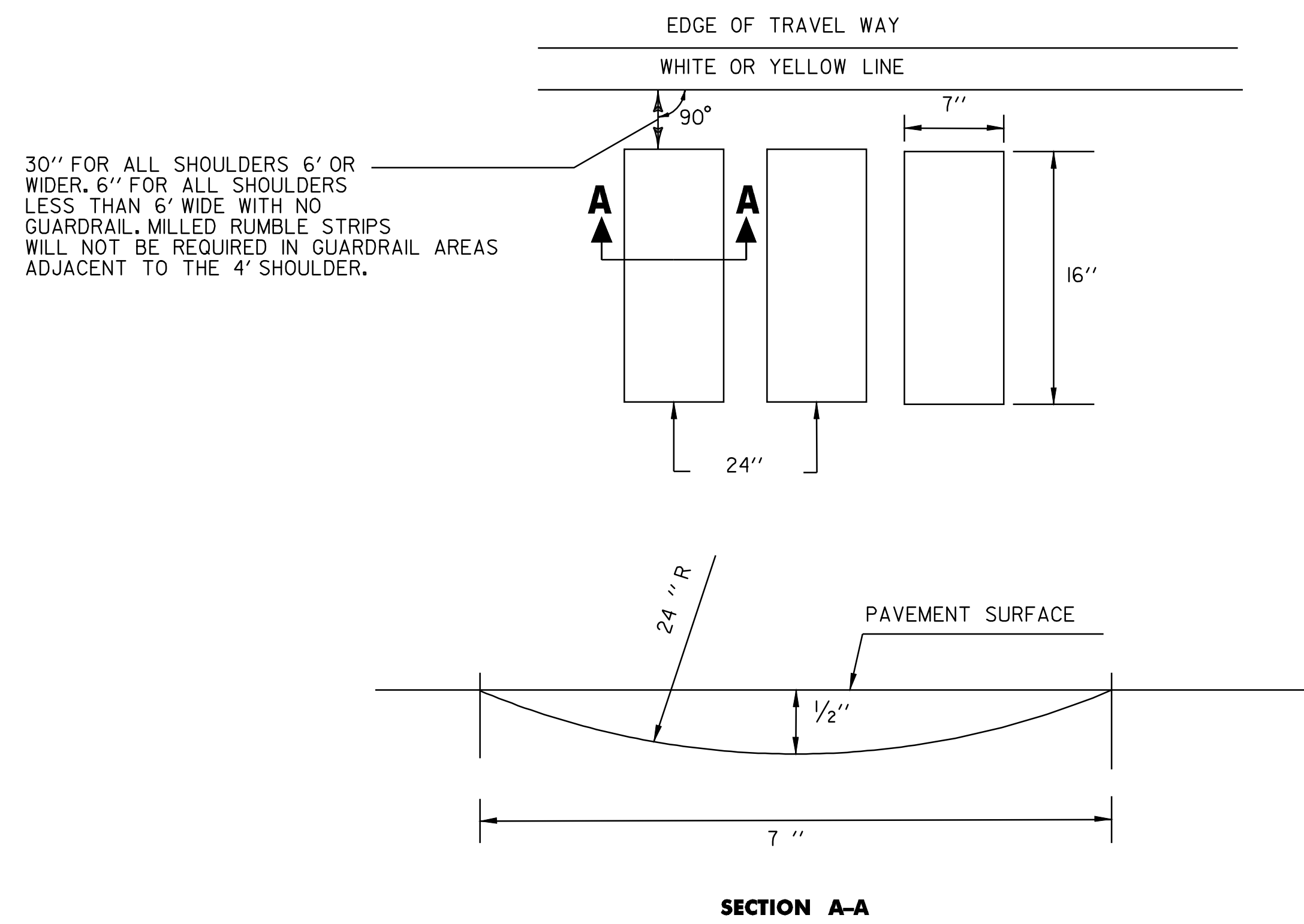
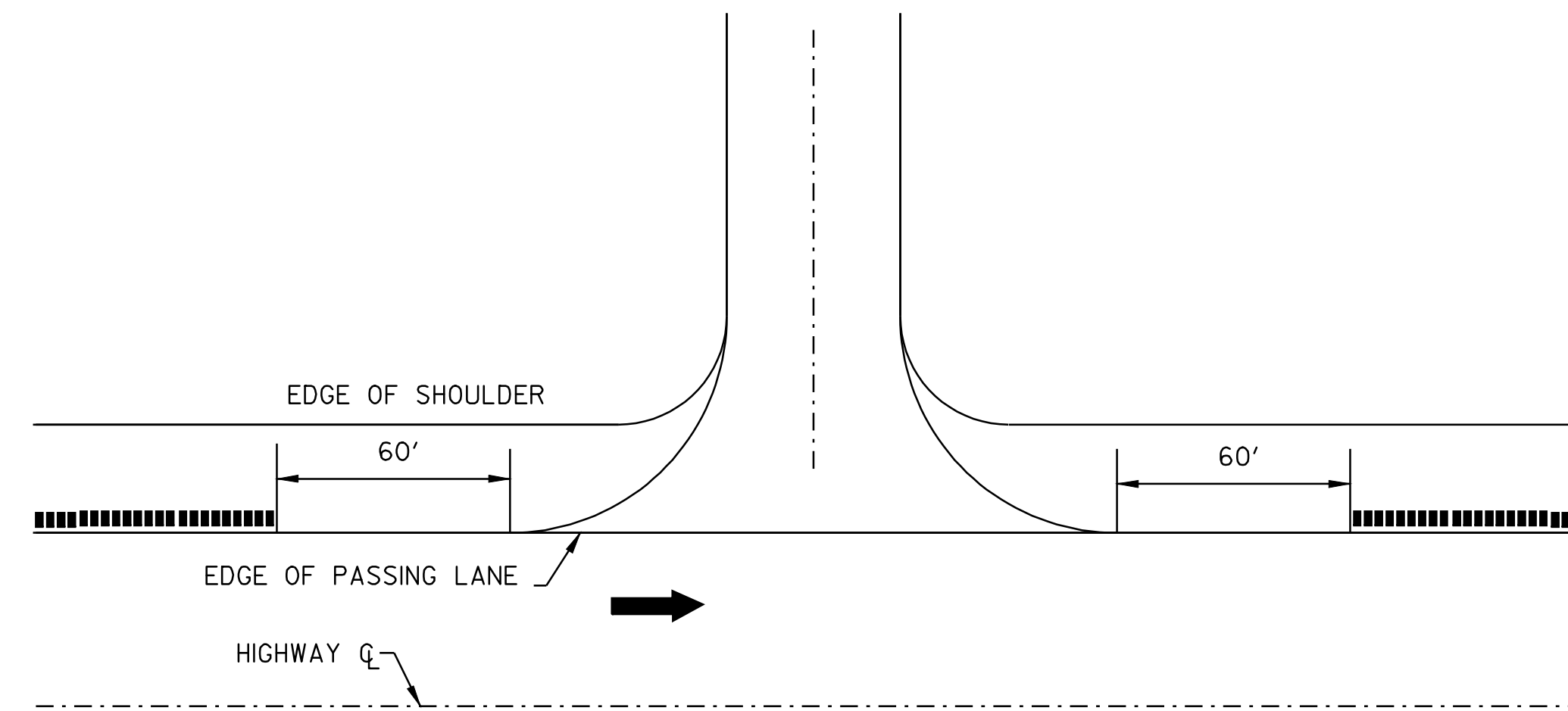


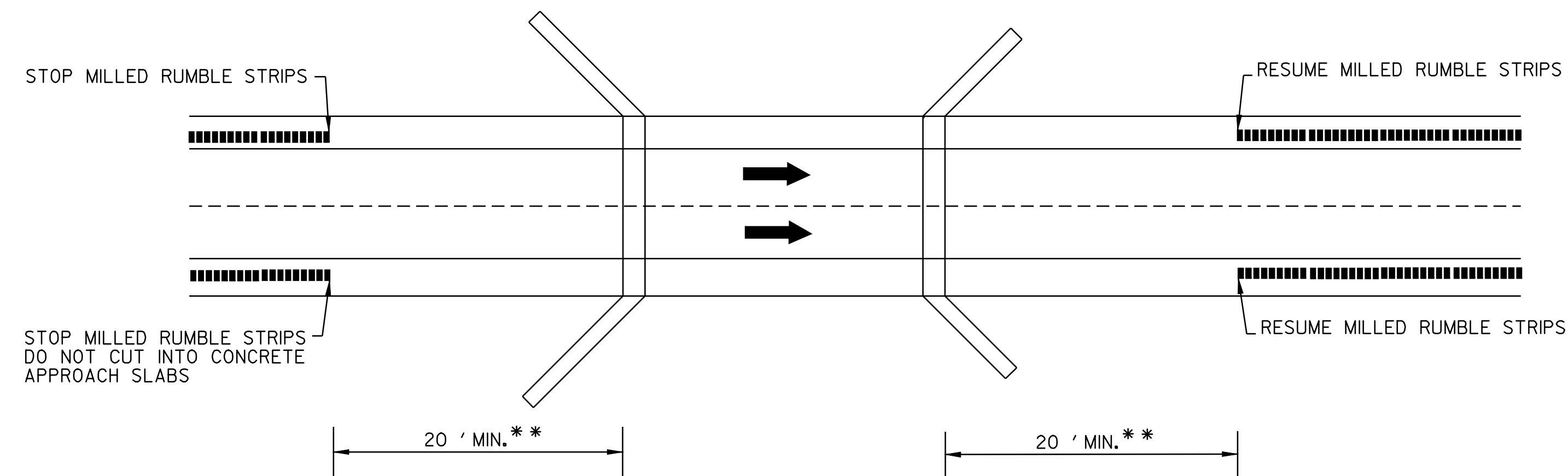
TYPICAL MILLING DETAIL



U-TURN AND SIDE ROAD DETAIL



BRIDGE DETAIL



** BRIDGE RAIL WILL DETERMINE MINIMUM DISTANCE IN SOME CASES.

LEGEND

- DIRECTION OF TRAFFIC FLOW
- MILLED RUMBLE STRIPS

MILLED RUMBLE STRIP DETAIL SHEET #2

PROJECT NAME: WALLINGFORD - RUTLAND TOWN
PROJECT NUMBER: AC NH 2207(I)S

FILE NAME: p99bl66.dgn
PROJECT LEADER: D.E.G.
DESIGNED BY: D.W.E.

PLOT DATE: 12-MAR-2007 11:35
DRAWN BY: C.A.K.
CHECKED BY: D.E.G.
SHEET 93 OF 95