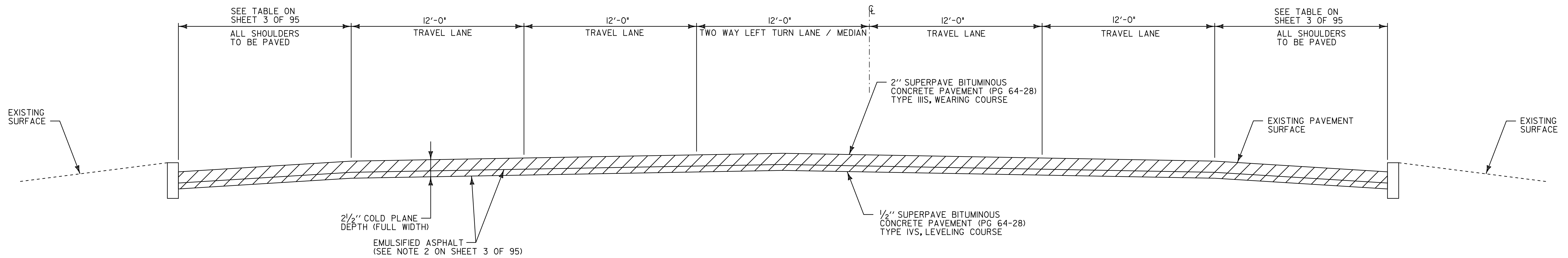


COLD PLANE TYPICAL SECTION

WALLINGFORD STA 328+89.12 TO WALLINGFORD STA 344+16.00



COLD PLANE TYPICAL SECTION WITH CURB

RUTLAND TOWN STA 35+67.00 TO RUTLAND TOWN STA 61+30.40

**PROJECT
TYPICAL
SHEET #2**

PROJECT NAME: WALLINGFORD - RUTLAND TOWN
PROJECT NUMBER: AC NH 2207(I)S

FILE NAME: p99bl66.dgn
PROJECT LEADER: D.E.G.
DESIGNED BY: D.W.E.

PLOT DATE: 12-MAR-2007 11:27
DRAWN BY: C.A.K.
CHECKED BY: D.E.G.
SHEET 4 OF 95