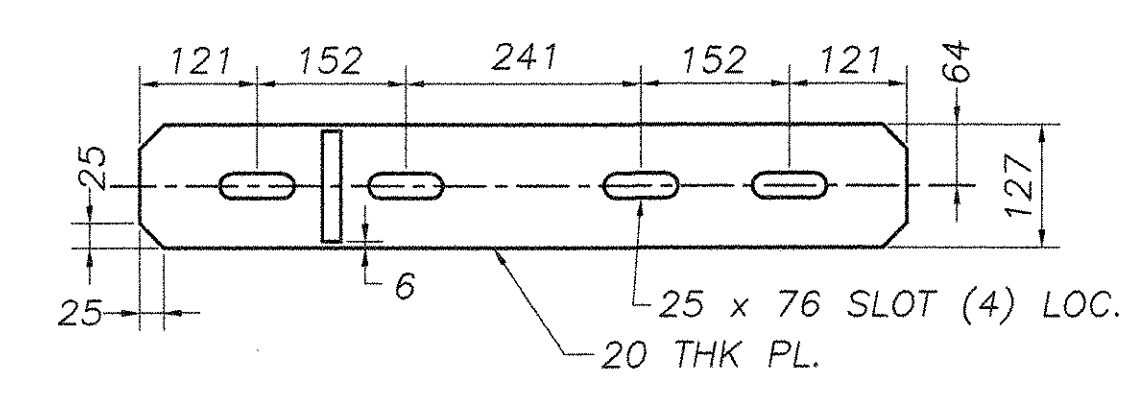
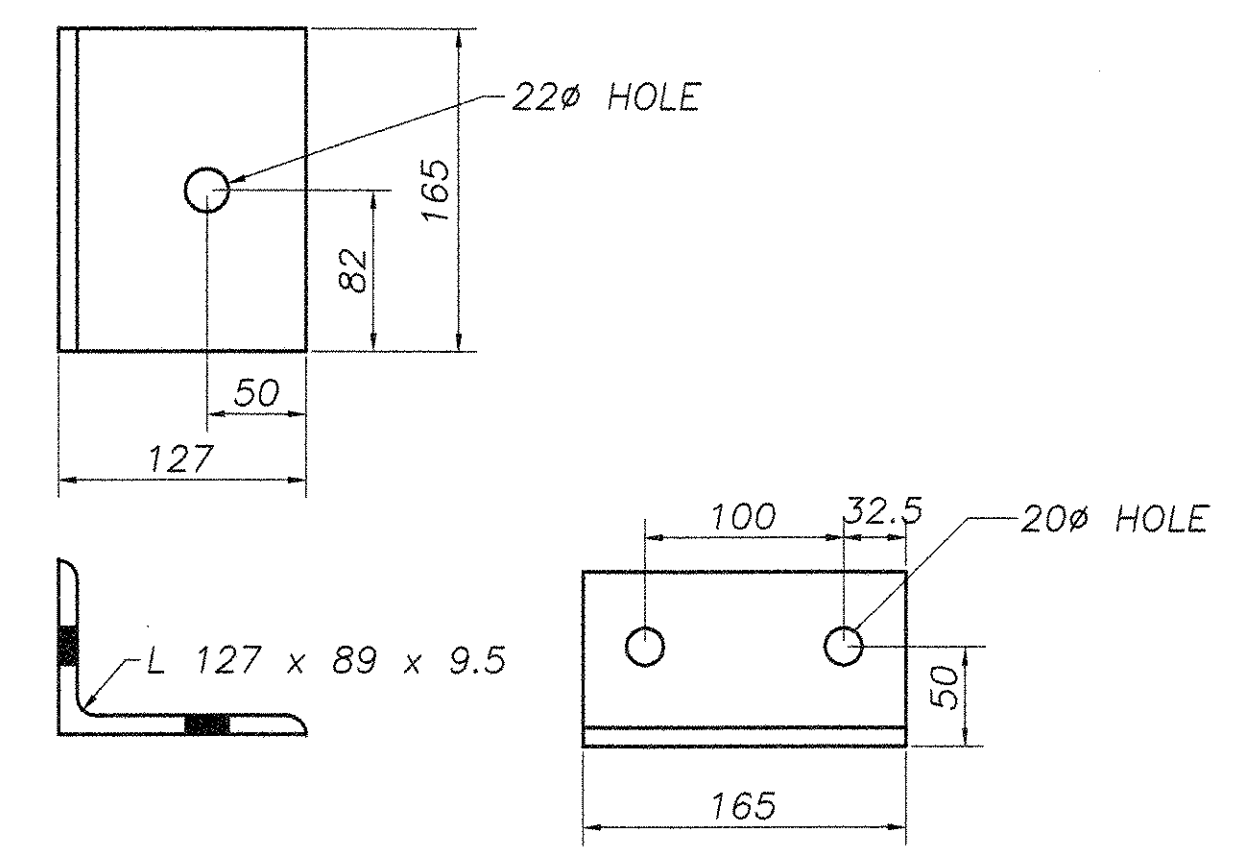


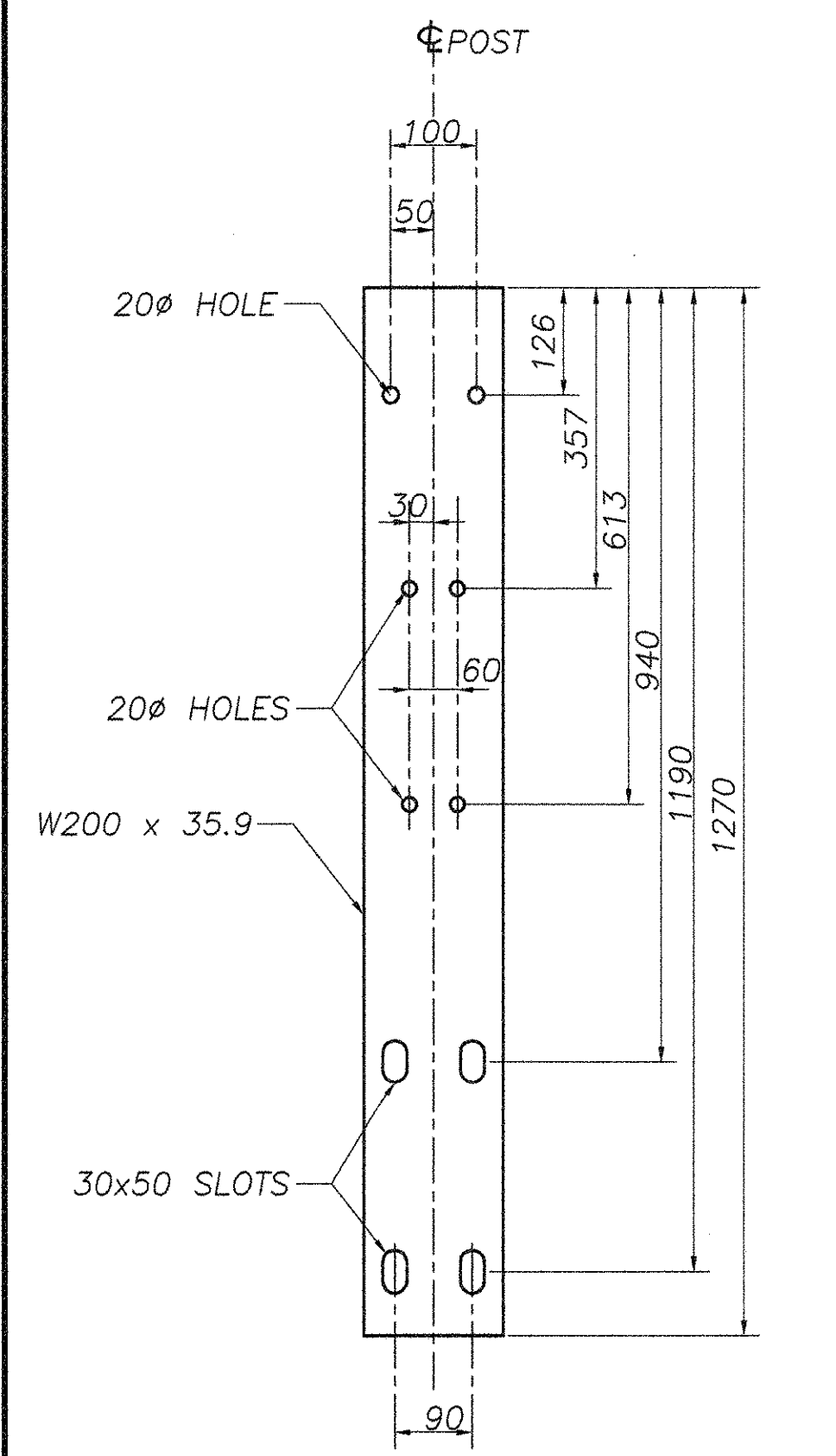
SPLICE SECTION



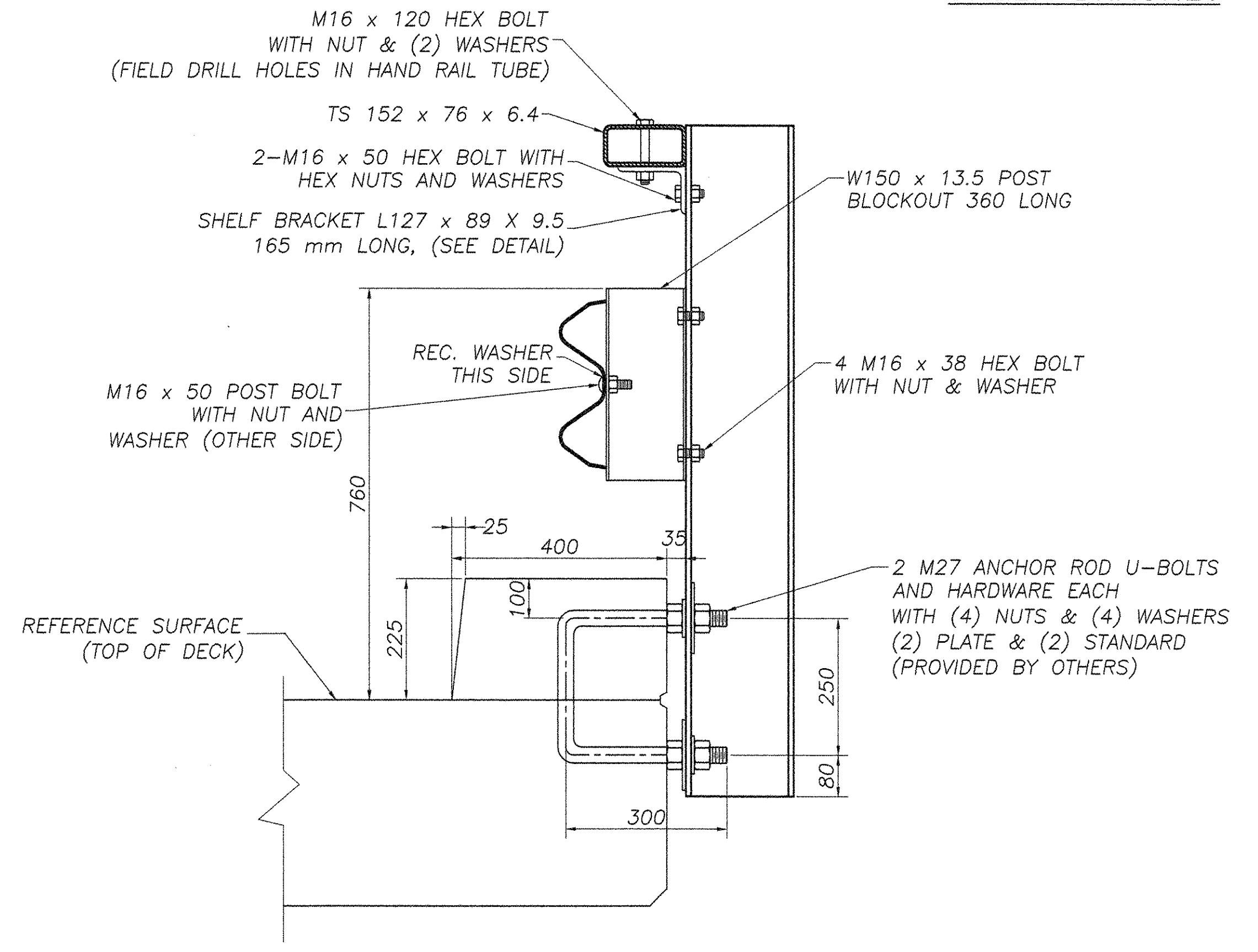
SPLICE PLATE DETAILS



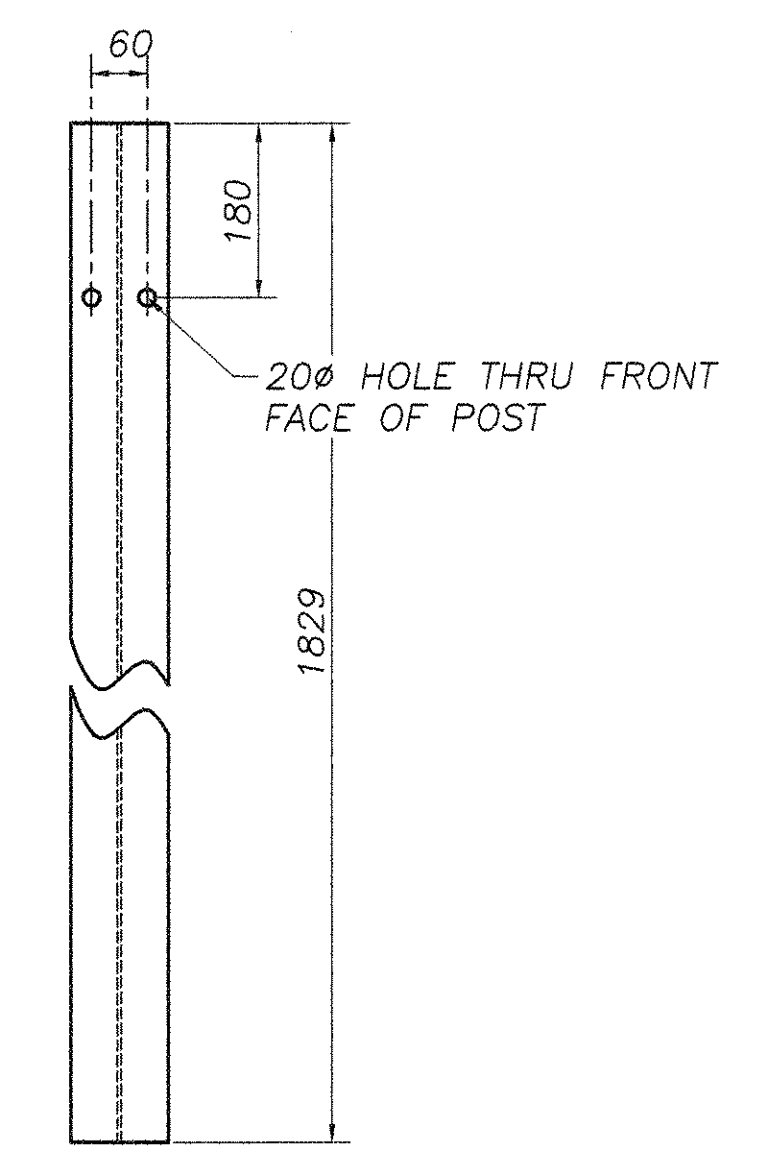
SHELF BRACKET



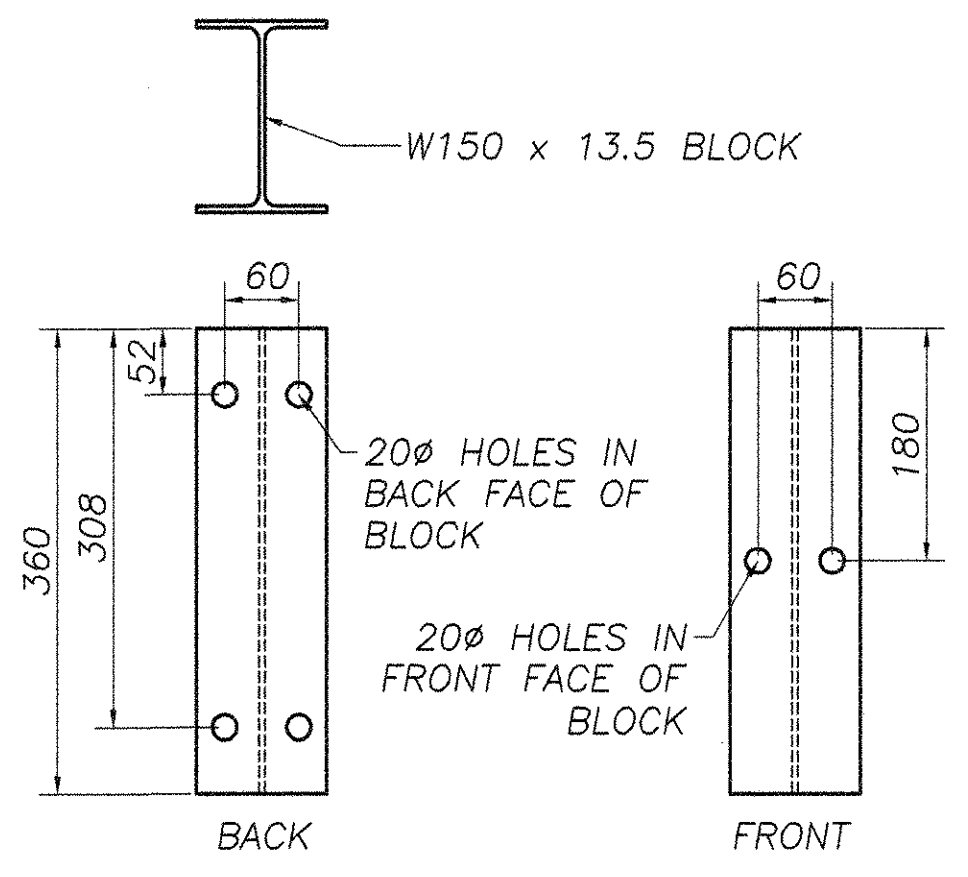
FASCIA MOUNTED POST



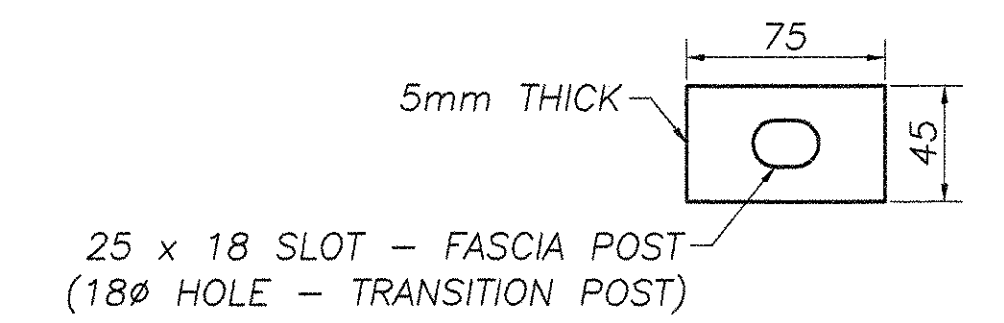
TYPICAL SECTION



DRIVEN POST  
W150 x 13.5



OFFSET BLOCK DETAIL



RECTANGULAR WASHER

NOTES

- SEE STANDARD G-1M & G-1dM FOR ADDITIONAL DETAILS OF STEEL BEAM GUARD RAIL AND STANDARD SB-R4a-82 FOR ADDITIONAL DETAILS OF BOX BEAM GUARD RAIL
- ANCHOR BOLTS, NUTS, AND WASHERS SHALL BE GALVANIZED AND CONFORM TO SECTION 714.07 \*\*BY OTHERS\*\*
- BRIDGE RAIL TYPES A, C & E: HEAVY DUTY STEEL BEAM RAIL SHALL BE AASHTO M180, CLASS B TYPE-II. POST AND BRACKETS, AS WELL AS PLATE AND SPECIAL WASHERS, SHALL BE AASHTO M223/M223M STEEL. BOLTS SHALL BE ASTM F568M, CLASS 4.6. ALL MATERIAL SHALL BE GALVANIZED AFTER FABRICATION TO AASHTO M111 OR M232 (HARDWARE). PRIOR TO GALV, GRIND ALL EDGES OF SHAPES AND PLATES TO MIN. 2mm RADIUS
- BRIDGE RAIL TYPE B & D: HEAVY DUTY STEEL BEAM RAIL SHALL BE AASHTO M180, CLASS B-TYPE 4 \*\*BY OTHERS\*\*. POSTS AND BRACKETS AS WELL AS PLATE AND SPECIAL WASHERS, SHALL BE AASHTO M222/M222M STEEL.
- ALL POSTS SHALL BE SET TO NORMAL GRADE
- BRIDGE APPROACH RAIL HEIGHT SHALL BE TRANSITIONED TO NORMAL ROADWAY HEIGHT IN 7.62m
- APPROACH RAILING SHALL BE HEAVY DUTY STEEL BEAM AS DETAILED ON THE PLANS.
- FOR THE TYPE A,B,C, OR D BRIDGE RAILING, THE TRANSITION POST SHALL HAVE AN OFFSET BLOCK AND BE LOCATED AS CLOSE AS PRACTICAL TO THE MID POINT BETWEEN THE BRIDGE END POST AND APPROACH RAIL POST 1.
- SPLICES SHALL LAP IN DIRECTION OF TRAFFIC FLOW
- SEE STANDARD SHEET G-1M FOR DELINEATOR DETAILS AND PLACEMENT.
- ERECT DELINEATOR ON EVERY FIFTH POST OR APPROXIMATELY 9m APART. PAYMENT SHALL BE SUBSIDIARY TO OTHER ITEMS.
- THE DROP WEIGHT TEAR TEST IN SECTION 732 SHALL NOT APPLY TO THE STRUCTURAL TUBING.

REVISIONS		
No.	Remarks	Date
0	Initial submittal	7/31/06
0	Second submittal	8/16/06

RECORDED PLANS

VTrans - PDD  
SEP 06 2006  
Structures Design  
Section

**HIGHWAY SAFETY CORP.**  
GLASTONBURY, CT

ITEM # 525.43 FASCIA MOUNTED HDSB WITH HANDRAIL  
PROJECT NUMBER: BRO 1448 (20)  
TOWN OF MONTGOMERY, VT  
COUNTY OF FRANKLIN  
ROUTE NO. TH 35, BRIDGE NO. 24

SCALE: NTS  
HSC REFERENCE NO.: 1562

GENERAL CONTRACTOR: F.R. LAFAYETTE INC.  
SUB CONTRACTOR: F.R. LAFAYETTE INC.

DRAWN: MHM  
CHECKED: [ ]  
DATE: 7/20/06  
SCALE: NTS  
HSC REFERENCE NO.: 1562  
SIZE: D  
REVISION: 0  
SHEET NO.: 3 of 3

