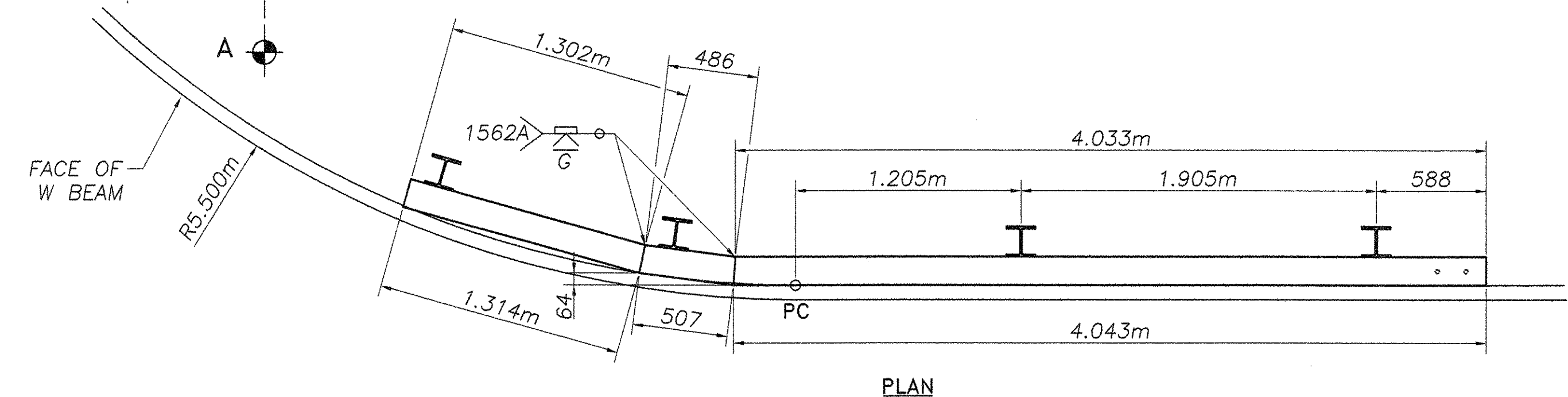
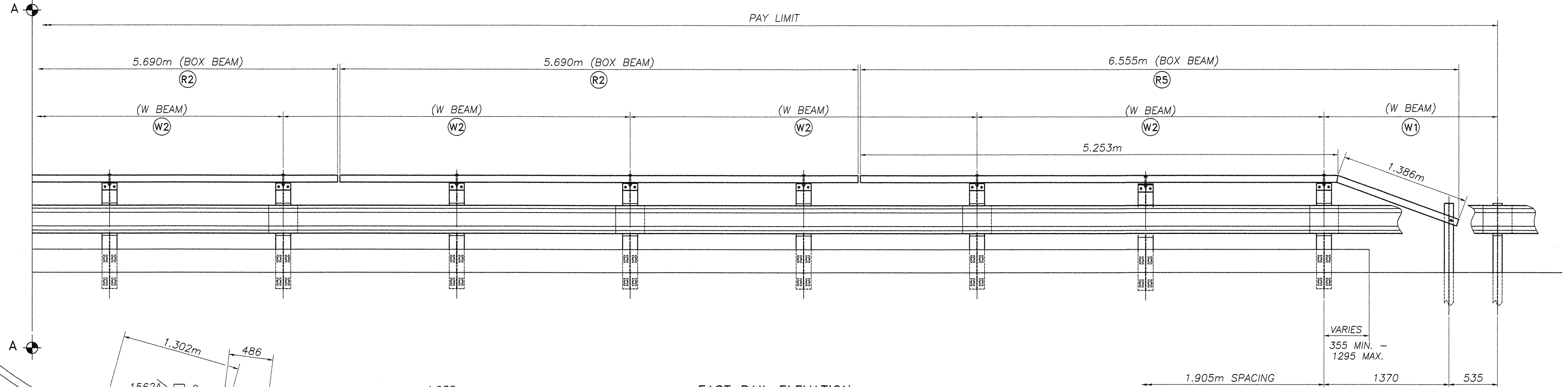
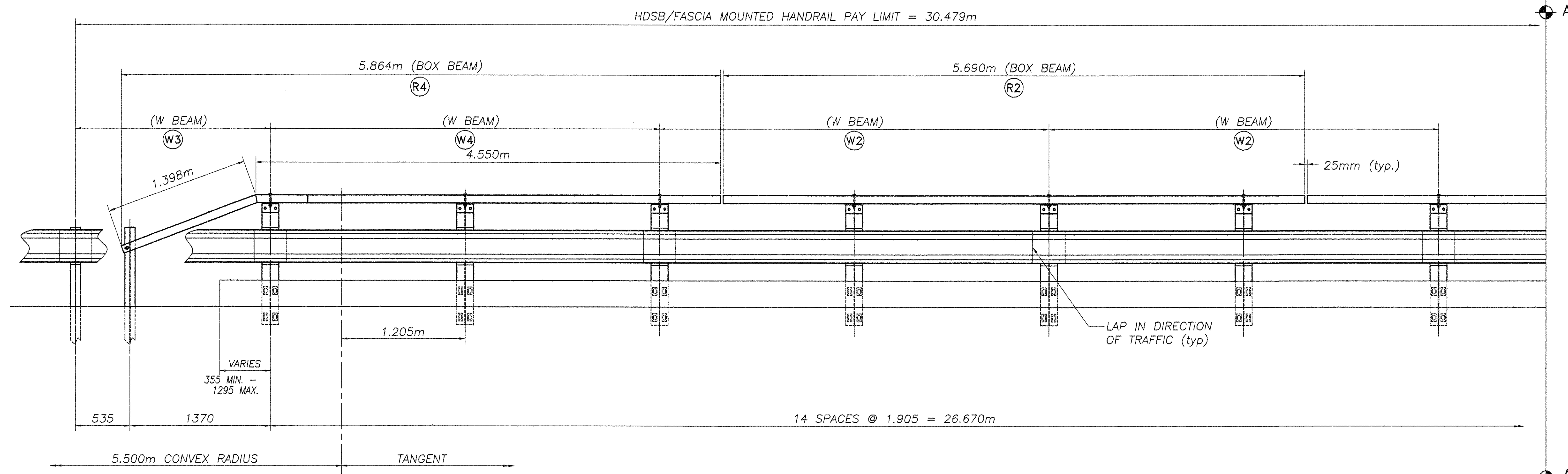
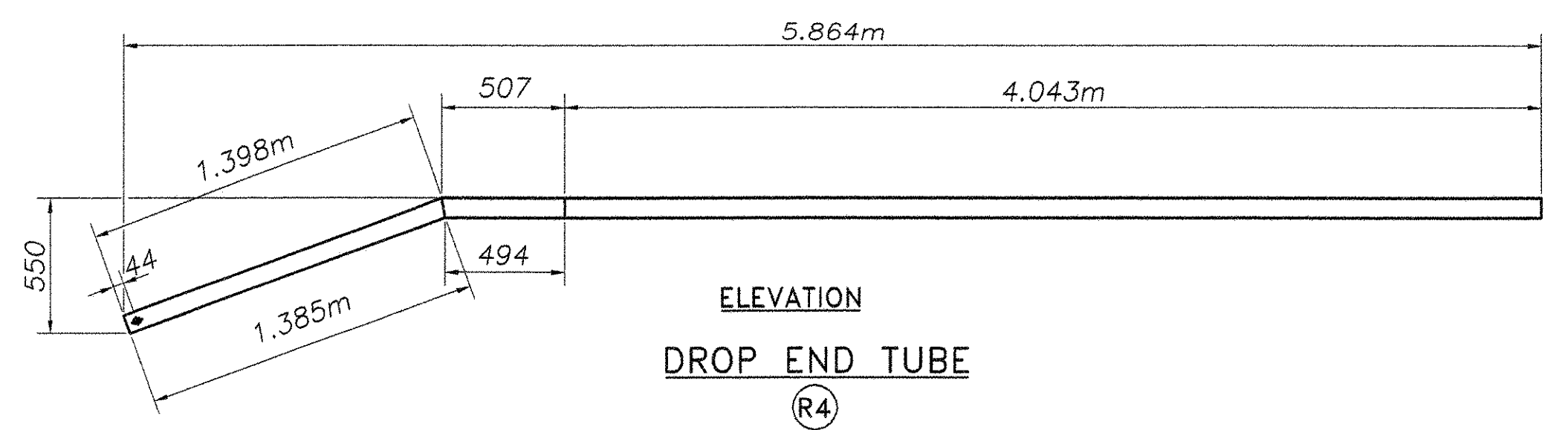


HDSB/FASCIA MOUNTED HANDRAIL PAY LIMIT = 30.479m



PLAN



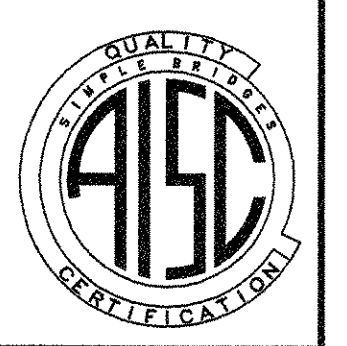
ELEVATION
DROP END TUBE
(R4)

EAST RAIL ELEVATION
LOOKING EAST FROM C OF ROAD

| REVISIONS | | |
|-----------|-------------------|---------|
| No. | Remarks | Date |
| 0 | Initial submittal | 7/31/06 |
| 0 | Second submittal | 8/16/06 |

—RECORD PLANS—

VTrans - PDD
SEP 06 2006
Structures Design
Section



HIGHWAY SAFETY CORP.
GLASTONBURY, CT

| | | |
|---|-------------------|--------------|
| ITEM # 525.43 FASCIA MOUNTED HDSB WITH HANDRAIL | DRAWN | MHM |
| PROJECT NUMBER: BRO 1448 (20) | CHECKED | |
| TOWN OF MONTGOMERY, VT | DATE | 7/20/06 |
| COUNTY OF FRANKLIN | SCALE | NTS |
| ROUTE NO. TH 35, BRIDGE NO. 24 | HSC REFERENCE NO. | 1562 |
| GENERAL CONTRACTOR | SIZE | D REVISION 0 |
| SUB CONTRACTOR | SHEET NO. | 2 of 3 |
| F.R. LAFAYETTE INC. | | |