

BILL OF MATERIAL (BOTH SIDES OF BRIDGE)

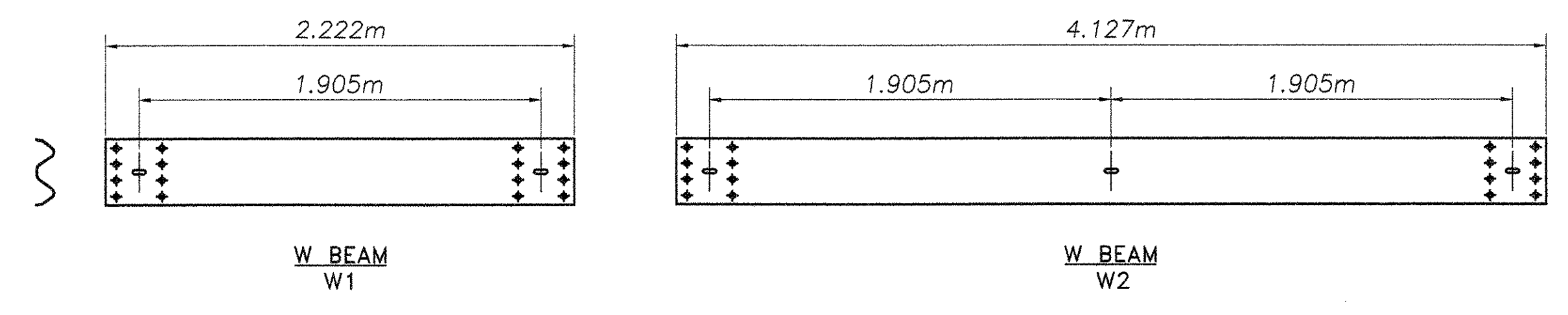
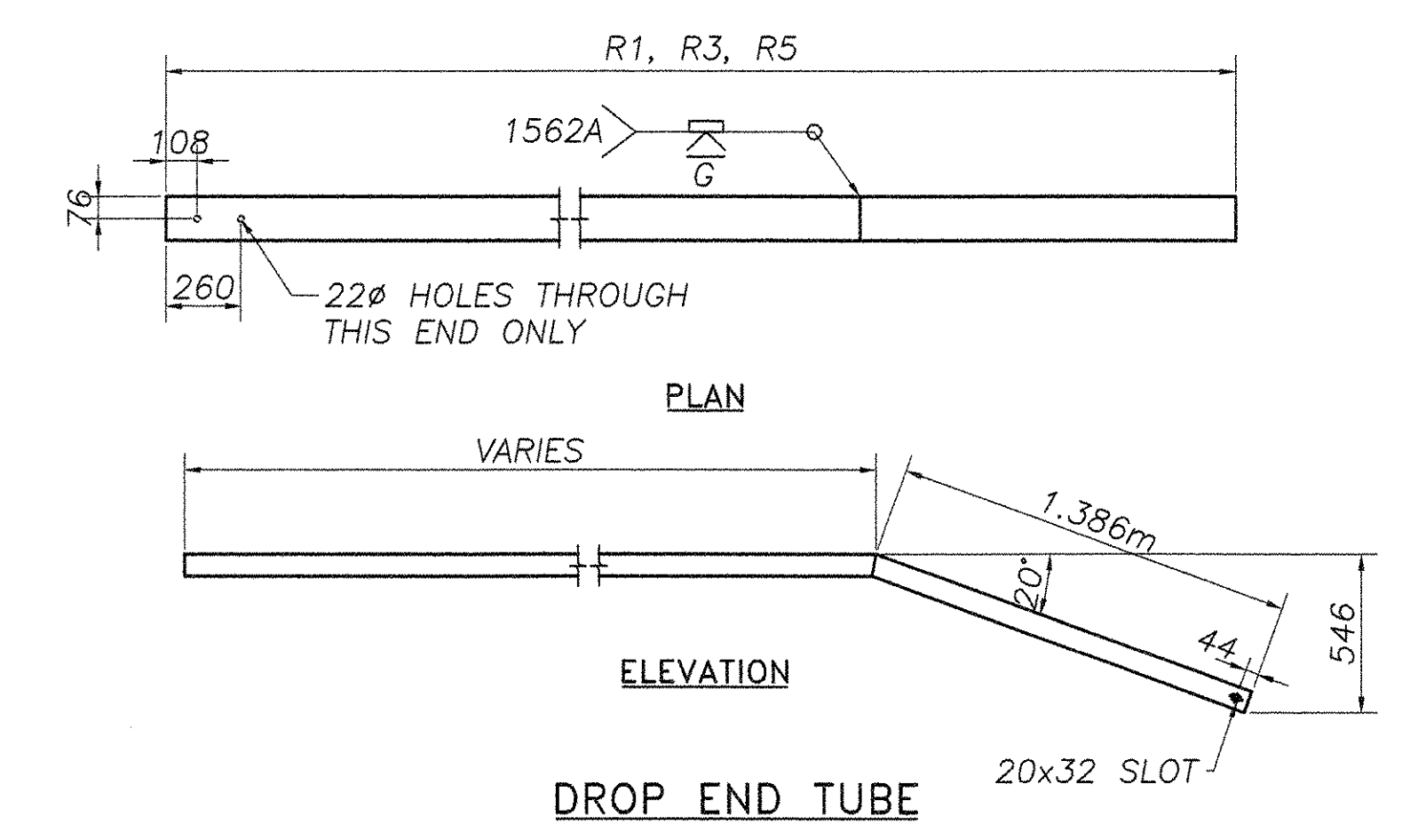
MK. #	Qty.	Description	Size/Shape	Length	Material
WEATHERING STEEL COMPONENTS					
POST					
29		fascia mounted post	W200 x 35.9	1270	AASHTO M222
33		steel blockout	W150 x 13.5	360	AASHTO M222
4		hex bolt w/ nut, flat washer & rec washer	M16	250	A307
33		post bolt w/ hx nut, flat washer & rec washer	M16	50	A307
136		post bolt w/ flat washer & hex nut	M16	38	A307
29		hand rail attachment angle	L127 x 89 x 9.5	165	AASHTO M222
58		post bolt w/ flat washer & hex nut	M16	50	A307
8		driven post	W150 x 13.5	1829	AASHTO M222
136		w beam splice bolt w/ DR nut	M16	32	A307

GALVANIZED AND PAINTED STEEL COMPONENTS					
HANDRAIL					
R1	1	hand rail tube w/ drop end	TS 152x75x6.4	5.850m	A500 gr B
R2	6	hand rail tube	TS 152x75x6.4	5.690m	A500 gr B
R3	1	hand rail tube w/ drop end	TS 152x75x6.4	4.560m	A500 gr B
R4	1	partially curved hand rail tube w/ drop end	TS 152x75x6.4	5.864m	A500 gr B
R5	1	hand rail tube w/ drop end	TS 152x75x6.4	6.555m	A500 gr B
19		hex bolt w/2 flat washer & heavy hex nut	M16	120	A307
16		splice plate	PL 20 x 127	787	AASHTO M223
32		hex bolt w/ flat washer & heavy hex nut	M20	114	A307

ITEMS FURNISHED BY OTHERS					
W BEAM (by others)					
W1	2	w beam	1.905m		M180 B4
W2	13	w beam	3.810m		M180 B4
W3	1	w beam curved to 5.500m convex radius	1.905m		M180 B4
W4	1	w beam partially curved to 5.500m convex radius	3.810m		M180 B4
ANCHORS (by others)					
58		anchor u bolt w/ 4 hex nuts and 2 flat washers	25 x 250	305	A449
116		plate washer	PL 6x55	130	AASHTO M222

NOTE:

- WEATHERING STEEL HARDWARE PROVIDED, SUBJECT TO AVAILABILITY AT TIME OF DELIVERY. BOLTS MAY BE ALTERNATIVELY PROVIDED GALVANIZED WITH ALL SURFACES, EXPOSED TO VIEW AFTER FINAL INSTALLATION, TOUCHED UP WITH BROWN PAINT. PAINTING OF EXPOSED HARDWARE SURFACES SHALL BE PAINTED AFTER INSTALLATION IN THE FIELD. TOUCH UP PAINT MATCHING THE SHOP APPLIED PAINT SYSTEM WILL BE FURNISHED FOR MINOR FIELD REPAIR AFTER INSTALLATION AND PAINTING OF HARDWARE IF NECESSARY.
- TS 152 x 76 x 6 HAND RAIL TO BE GALVANIZED AND PAINTED BROWN, COLOR 20059 IN ACCORDANCE WITH VAOT SUPPLEMENTAL SPECIFICATION 513.06(r).



REVISIONS		
No.	Remarks	Date
0	Initial submittal	7/31/06
0	Second submittal	8/16/06

VTrans - PDD
SEP 06 2006
Structures Design Section

—RECORD PLANS—

HIGHWAY SAFETY CORP.
GLASTONBURY, CT

ITEM # 525.43 FASCIA MOUNTED HDSB WITH HANDRAIL
PROJECT NUMBER: BRO 1448 (20)
TOWN OF MONTGOMERY, VT
COUNTY OF FRANKLIN
ROUTE NO. TH 35, BRIDGE NO. 24

GENERAL CONTRACTOR
SUB CONTRACTOR

F.R. LAFAYETTE INC.

DRAWN	MHM
CHECKED	
DATE	7/20/06
SCALE	NTS
HSC REFERENCE NO.	1562
SIZE	D
REVISION	0
SHEET NO.	1 of 3

