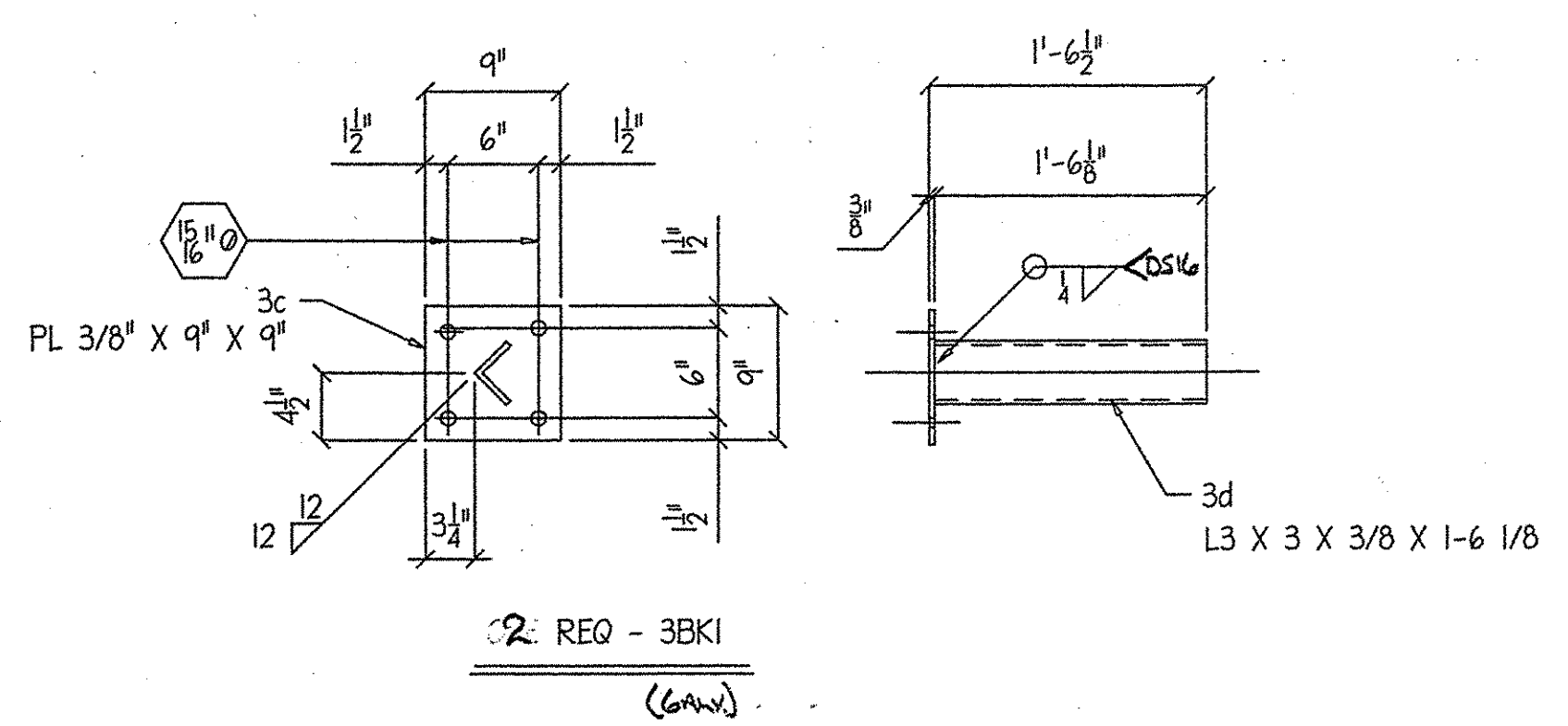
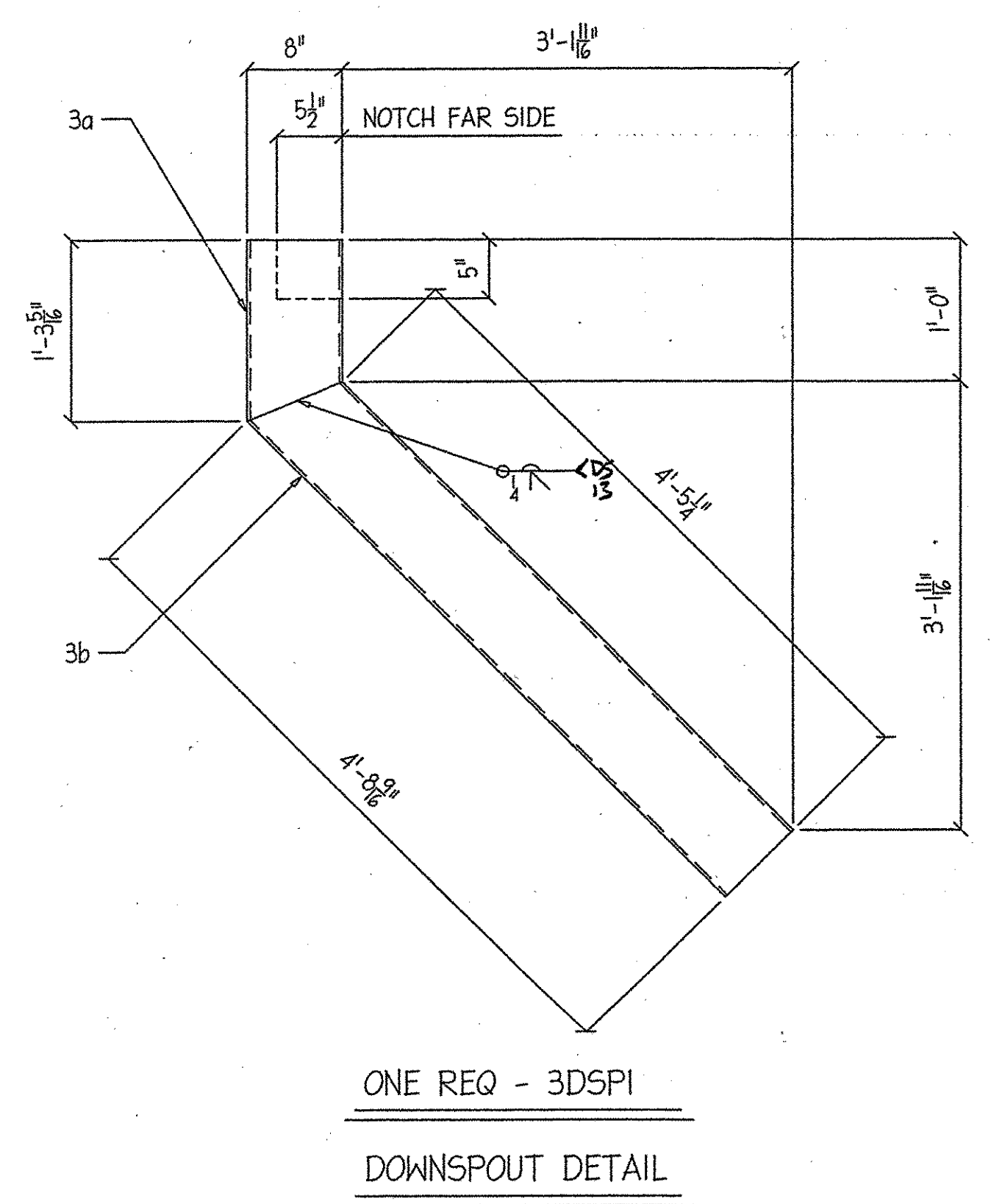
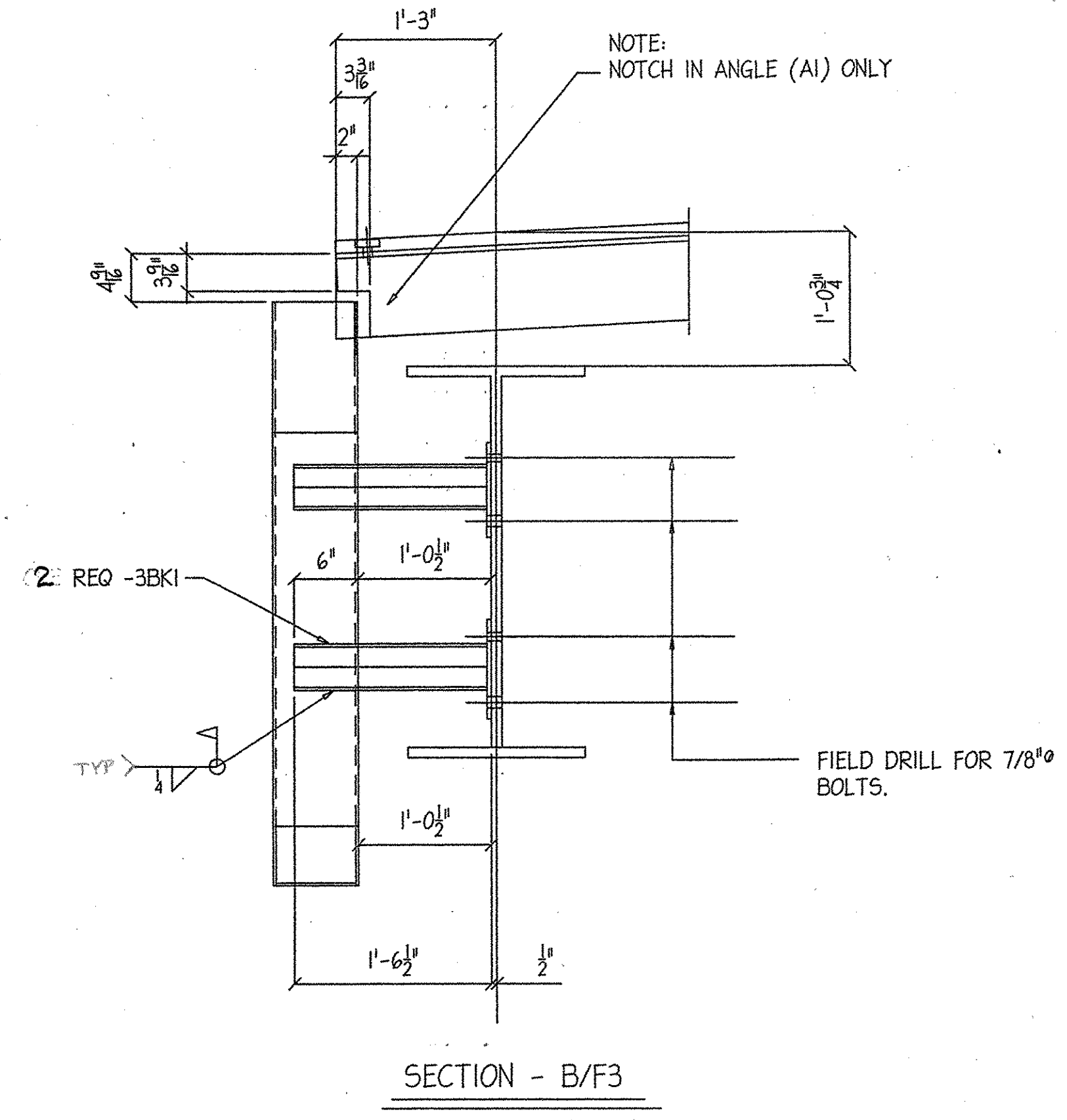
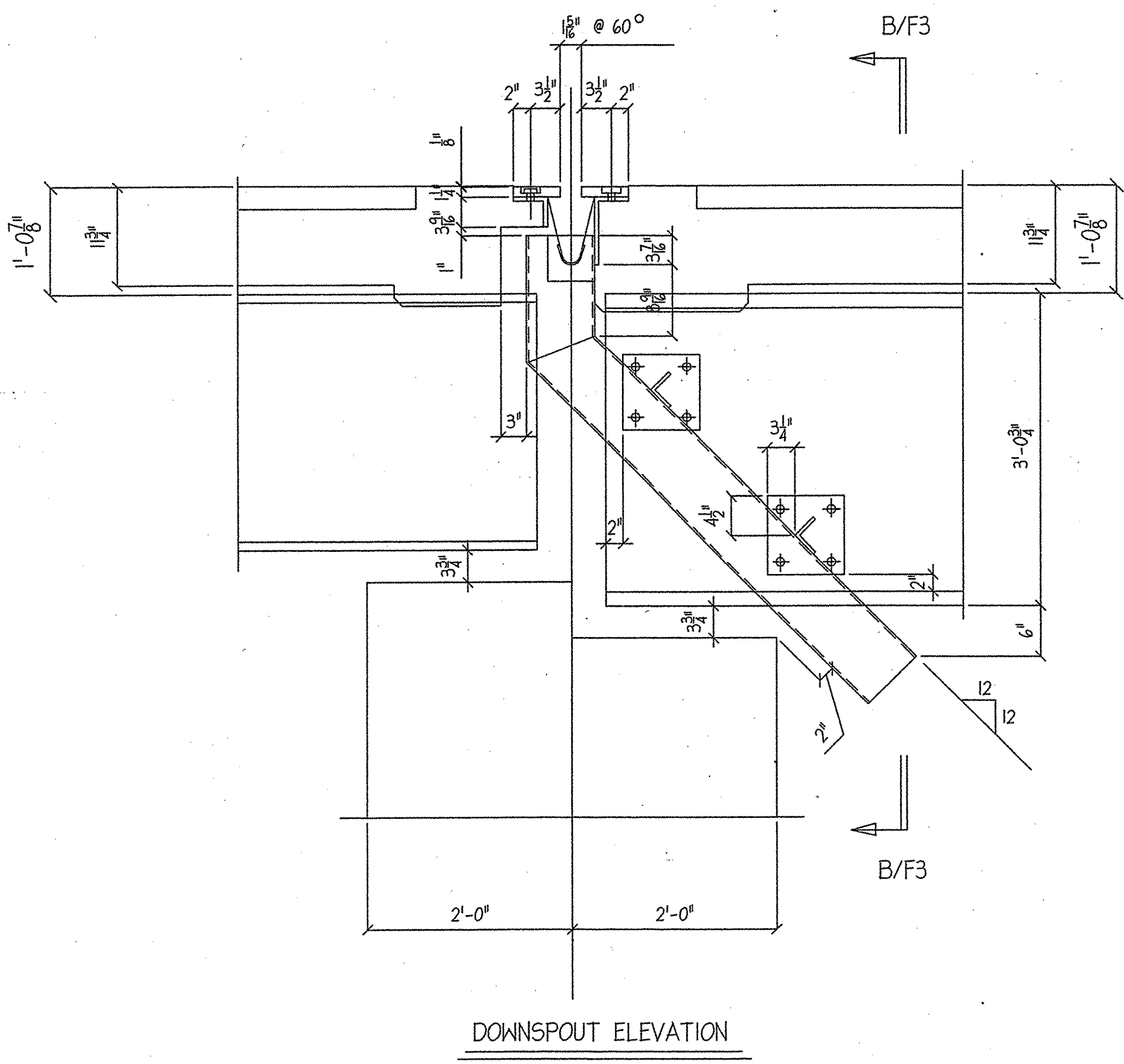


BILL OF MATERIAL

QTY	MARK	SHAPE	LENGTH	REMARKS
1	3DPTI	SCUPPER DETAIL		GALV.
1	3a	TS 8 X 8 X 1/4	1 3 5/16	TO LG. PT.
1	3b	TS 8 X 8 X 1/4	4 8 9/16	TO LG. PT.
2	3BK1	BRACKET		
2	3c	PL 3/8" X 9"	0 9	
2	3d	L3 X 3 X 3/8	1 6 1/8	
FIELD BOLTS @ DOWNSPOUT GALV.				
Ø - 7/8" X 2 3/4" A-307 BOLTS W/ N & W				



DOWNSPOUT NOTES

- HOLLOW STRUCTURAL STEEL TUBE SHALL CONFORM TO ASTM A-500 OR A-501.
- ALL PLATES, BARS, AND ANGLES SHALL CONFORM TO AASHTO M270 GR. 36
- ALL SCUPPERS SHALL BE GALVANIZED IN ACCORDANCE WITH AASHTO M111.
- ALL BOLTS AND RELATED HARDWARE SHALL BE ASTM A-307 AND SHALL BE GALVANIZED IN ACCORDANCE WITH ASTM A-153 (AASHTO M 232/M1 232).

RECEIVED  
 OK'D BY: [Signature] OK'D BY: [Signature]  
 MAY 31 2006  
 RESUBMIT: [Signature] APPROVED: [Signature] AS NOTED  
 BY: [Signature] DATE: 6/1/06

DOWNSPOUT ELEVATION	
DATE SUB.	PROJECT: MONTGOMERY VT. BRIDGE
	LOCATION: VT. ROUTE 118, BRIDGE #21
	ARCHITECT: MONTGOMERY, VT.
DATE APP.	ENGINEER: STATE OF VERMONT, AGENCY OF TRANSPORTATION
DATE DIST.	CUSTOMER: A.L. ST. ONGE CONST.

REV. NO.	DATE	DESCRIPTION
1	5/3	Per [Signature]
HOLES: 13/16" (U.N.O.) DATE: 3-16-06		
PAINT: GALVANIZED		

**MERRIMACK** MERRIMACK SHEET METAL  
 119 HALL ST.  
 CONCORD, N.H., 03301  
 TEL. (603) 224-7766  
 FAX. (603) 224-7925

MISCELLANEOUS IRON STRUCTURAL STEEL FABRICATORS

DR BY: KJM  
 REV BY:  
 JOB NO.: 0770  
 DWG NO.: F3