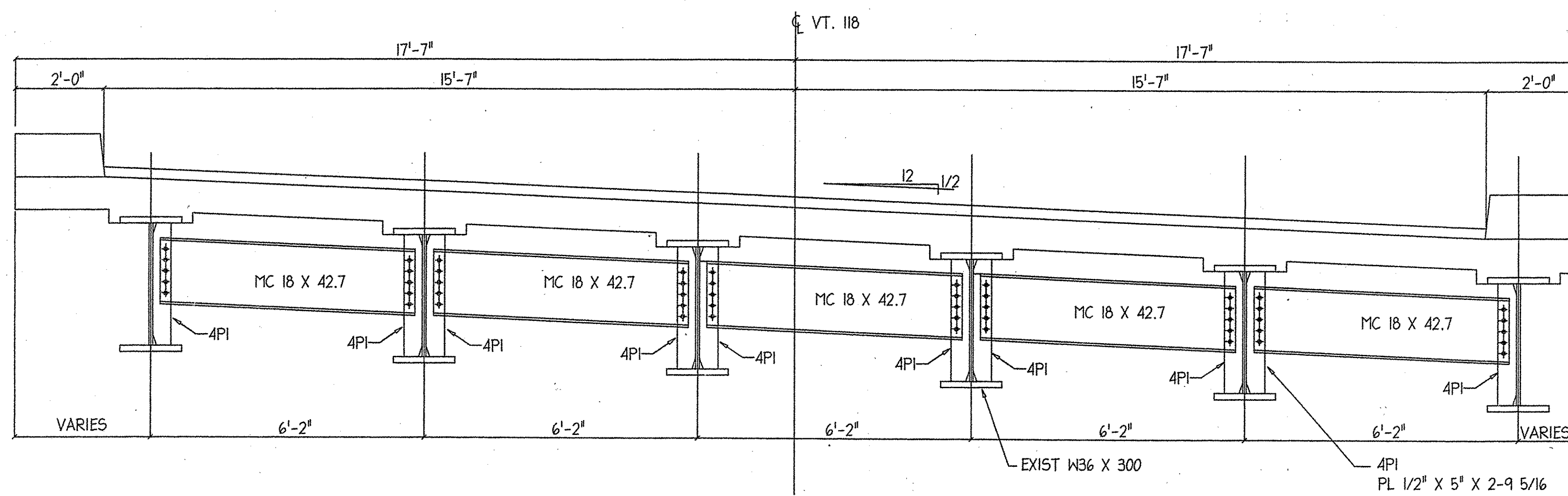
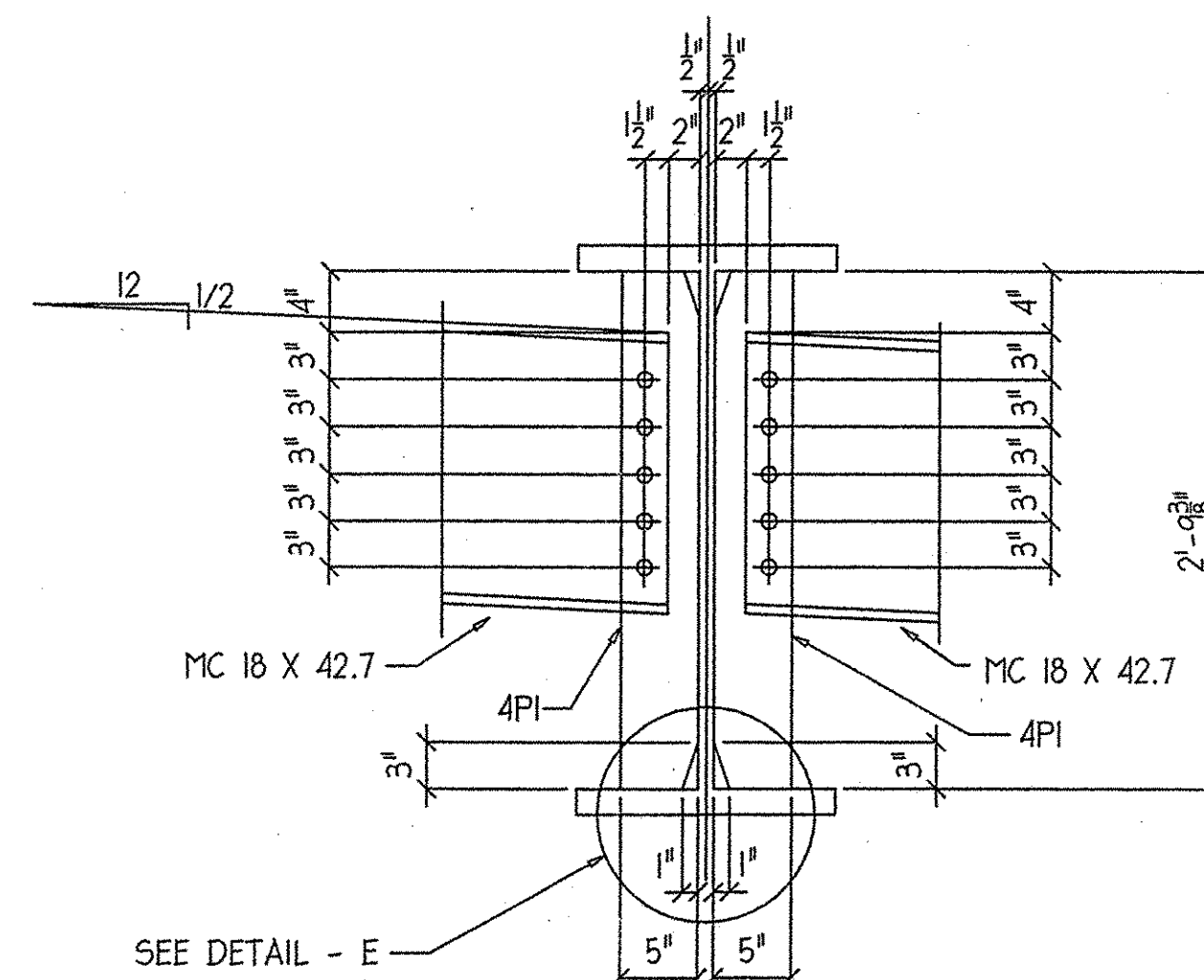


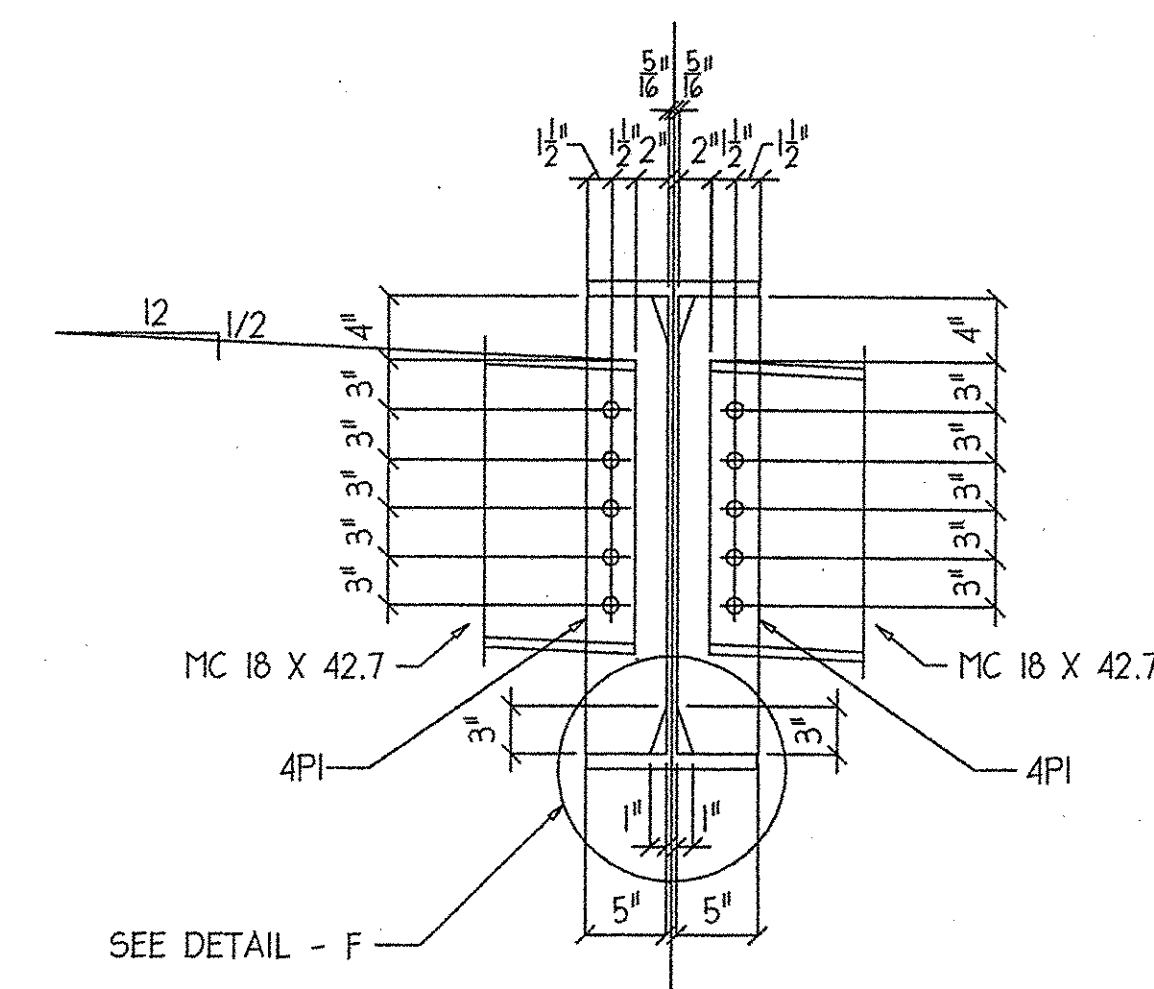
FRAMING PLAN



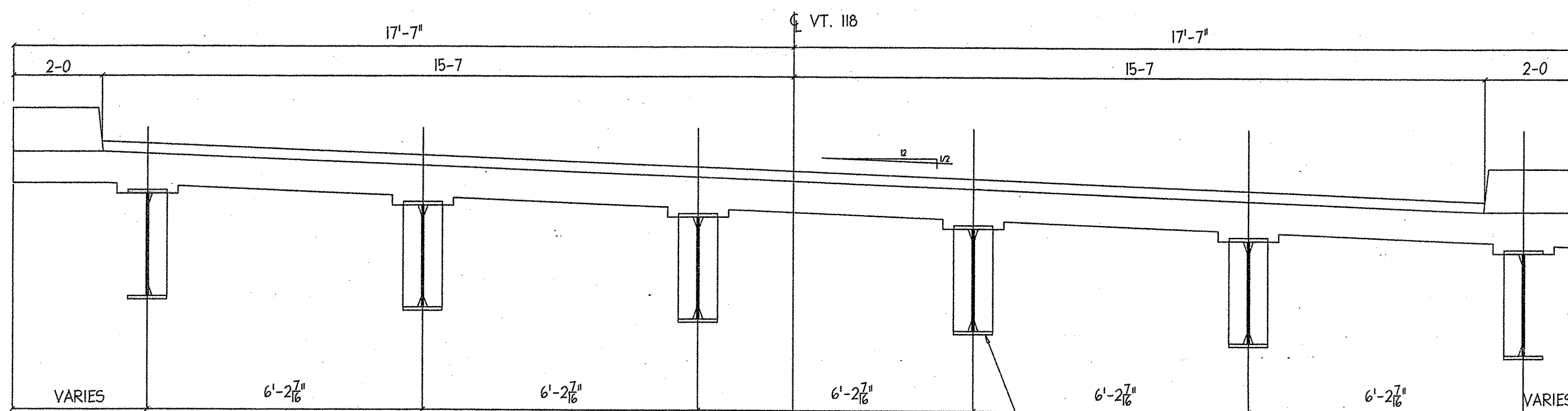
SECTION A-A



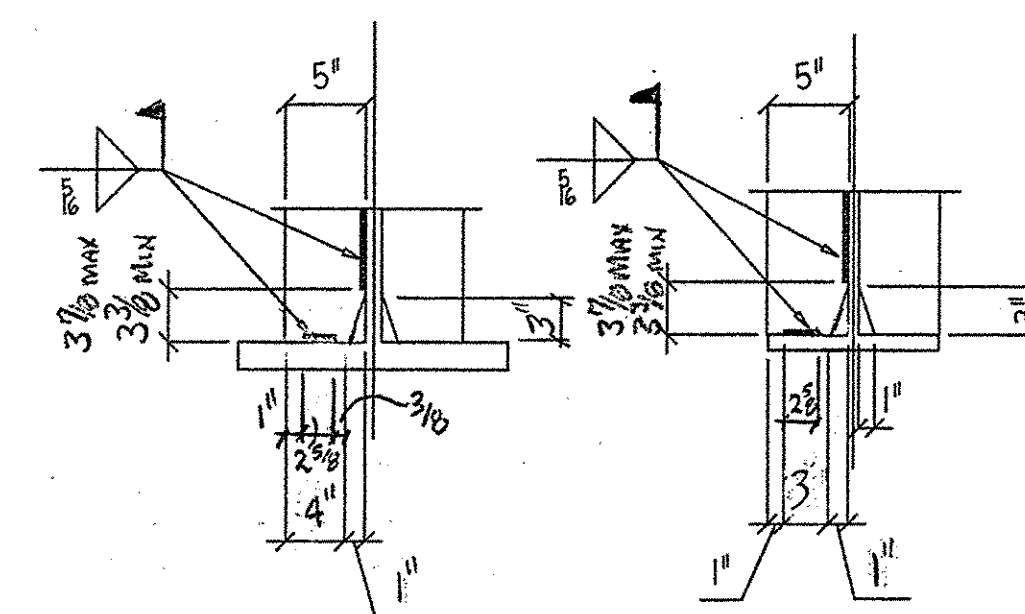
SECTION - C



SECTION - D



SECTION B-B



DETAIL - E

DETAIL - F

RECEIVED
 CHK'D BY: [Signature] OK'D BY: [Signature]
 MAY 31 2006
 RESUBMIT APPROVED [Signature]
 BY: [Signature] DATE: 6/1/06

Structures

DATE SUB.	PROJECT	MONTGOMERY VT. BRIDGE
	LOCATION	VT. ROUTE 118, BRIDGE #21
	ARCHITECT	MONTGOMERY, VT.
DATE APP.	ENGINEER	STATE OF VERMONT, AGENCY OF TRANSPORTATION
DATE DIST.	CUSTOMER	A.L. ST. ONGE CONST.

MERRIMACK	MERRIMACK SHEET METAL	DR BY	KJM
	119 HALL ST.	REV BY	
MISCELLANEOUS IRON STRUCTURAL STEEL FABRICATORS	CONCORD, N.H., 03301	JOB NO.	0770
	TEL. (603) 224-7766	DWG NO.	EI
	FAX. (603) 224-7925		

REV. NO.	DATE	DESCRIPTION
1	5/3	FIELD WORKS
HOLES: 13/16" (U.N.O.) DATE: 3-16-06		
PAINT: GALVANIZED		

066-BJ