

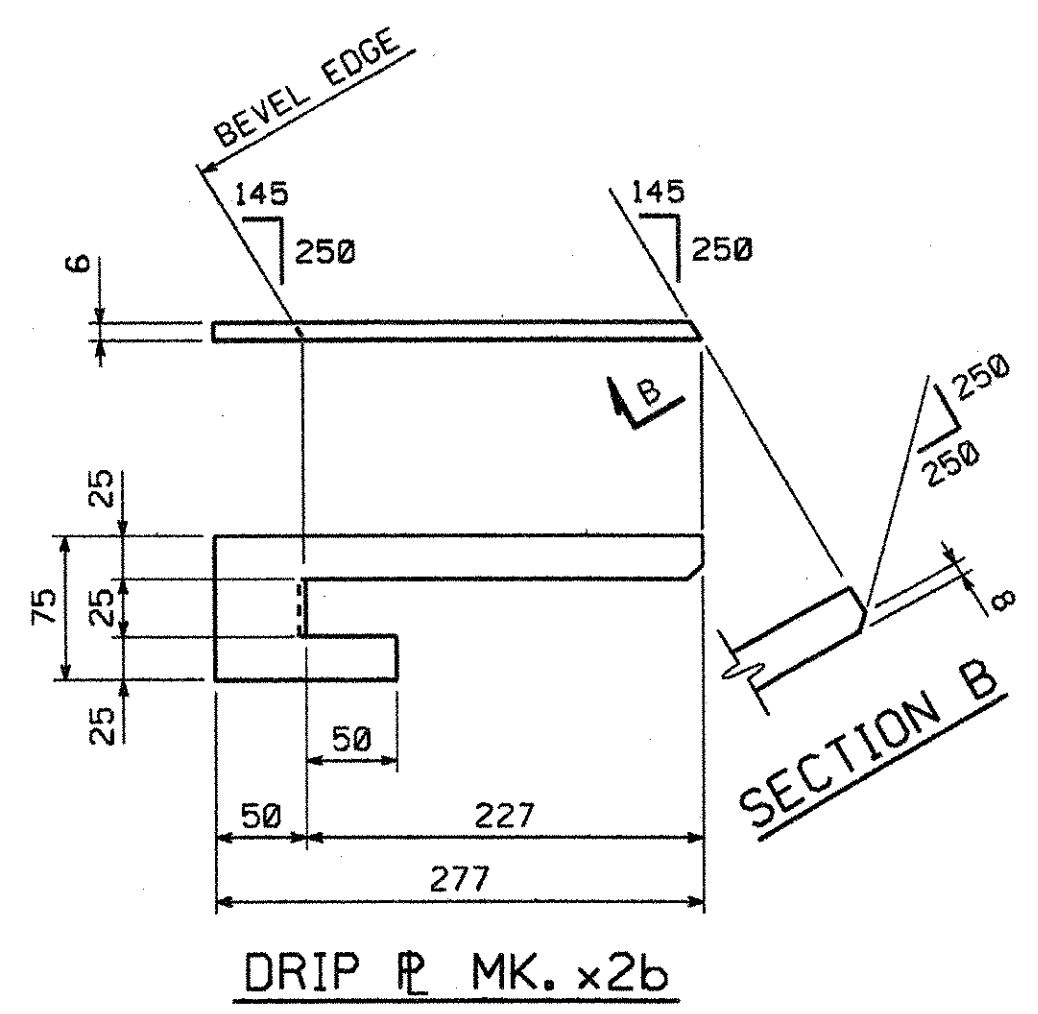
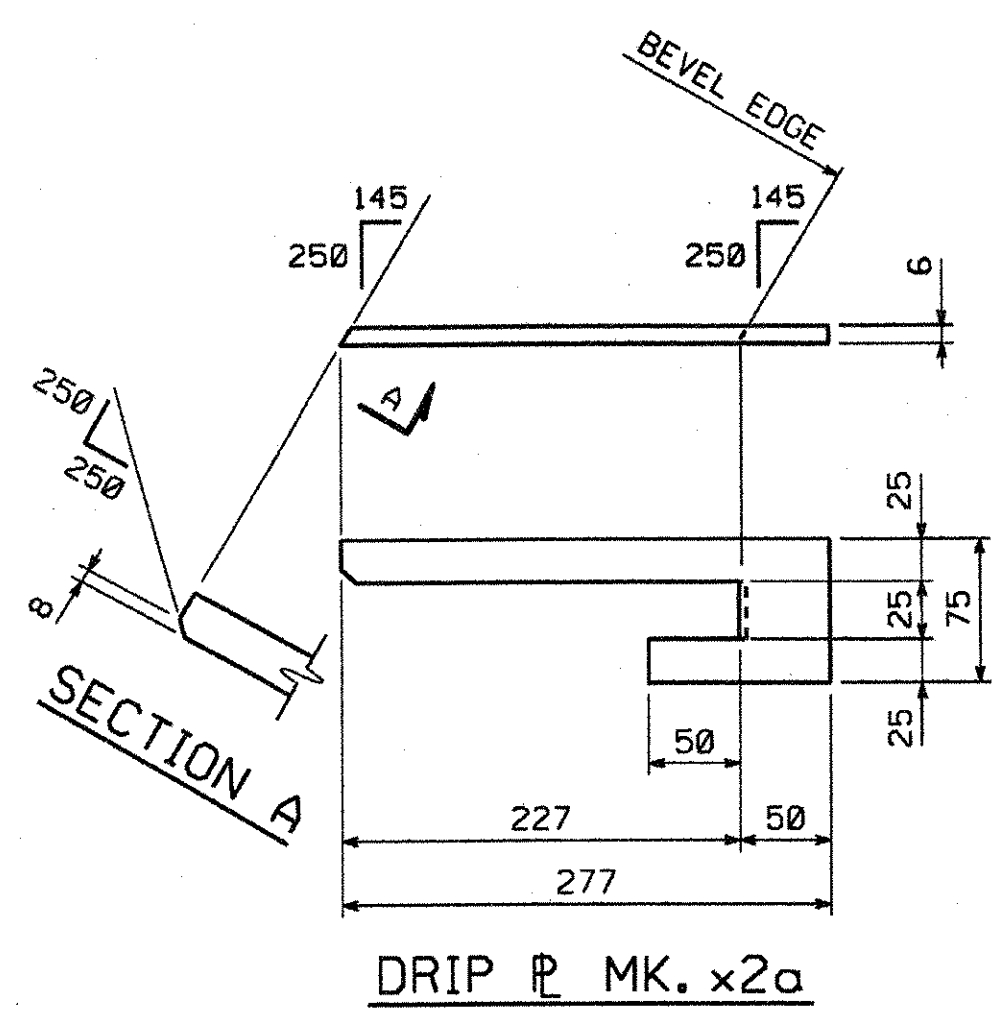
METRIC

METRIC 1. ALL DIMENSIONS ARE IN MILLIMETERS UNLESS OTHERWISE NOTED.  
2. ALL WEIGHTS ARE IN KILOGRAMS.

FED. ROAD DIV. NO.	STATE	FED. AID PROJ. NO.
	VT	

BILL OF MATERIAL

SHIP.	QTY	MARK	COMMODITY	DESCRIPTION	LENGTH	SPEC	GRADE	TEST	REMARKS	GRP.	ITEM	WEIGHT EA (KG)
1	1	x2a	PL	6 x 75	277	M270M	345W			7	2	0.98
1	1	x2b	PL	6 x 75	277	M270M	345W			7	2	0.98



RECEIVED  
 OK'D BY WJH OK'D BY \_\_\_\_\_  
 APR 27 2006  
 RESUBMIT \_\_\_\_\_ APPROVED \_\_\_\_\_  
 BY R. [unclear] DATE 5/2/06

△			
△			
△			
NO.	REVISION	BY	DATE

1770 Hempstead Road  
 Lancaster, PA 17609-0008  
 Phone 717/299-5271

**HIGH STEEL STRUCTURES, INC.** *HS*  
 A Division of High Industries, Inc.

GIRDER JOB STANDARDS  
 RTE. NO. TH 35 (BRIDGE NO. 24) OVER PACIFIC BROOK  
 RTE. NO. TH 35 STA. 1+085.800 TO STA. 1+112.300  
 TOWN OF MONTGOMERY  
 FRANKLIN COUNTY, VERMONT  
 STATE OF VERMONT, AGENCY OF TRANSPORTATION

STATE CONTRACT PROJECT NO. BRO 1448 (20)  
 OR REF. NO.  
 CONTRACTOR A.L. ST. ONGE CONTRACTOR, INC.  
 IN CHARGE: BRITIGAN (IH) MADE BY: RC CHK'D. BY: RC MGK DATE: 3/3/06

CONTRACT NUMBER: VT-06001-1 DRAWING NUMBER: X2 OF X2

**SHOP NOTE**  
**HOLES:** NONE  
**BOLTS:** NONE  
**PAINT:** NONE  
 FOR GENERAL SHOP NOTES, SEE DWG. GNI.

CODE:30

05955  
~~05955~~

BY: Mkradej  
 PLOTTED: 03/06/06 08:47:54 AM