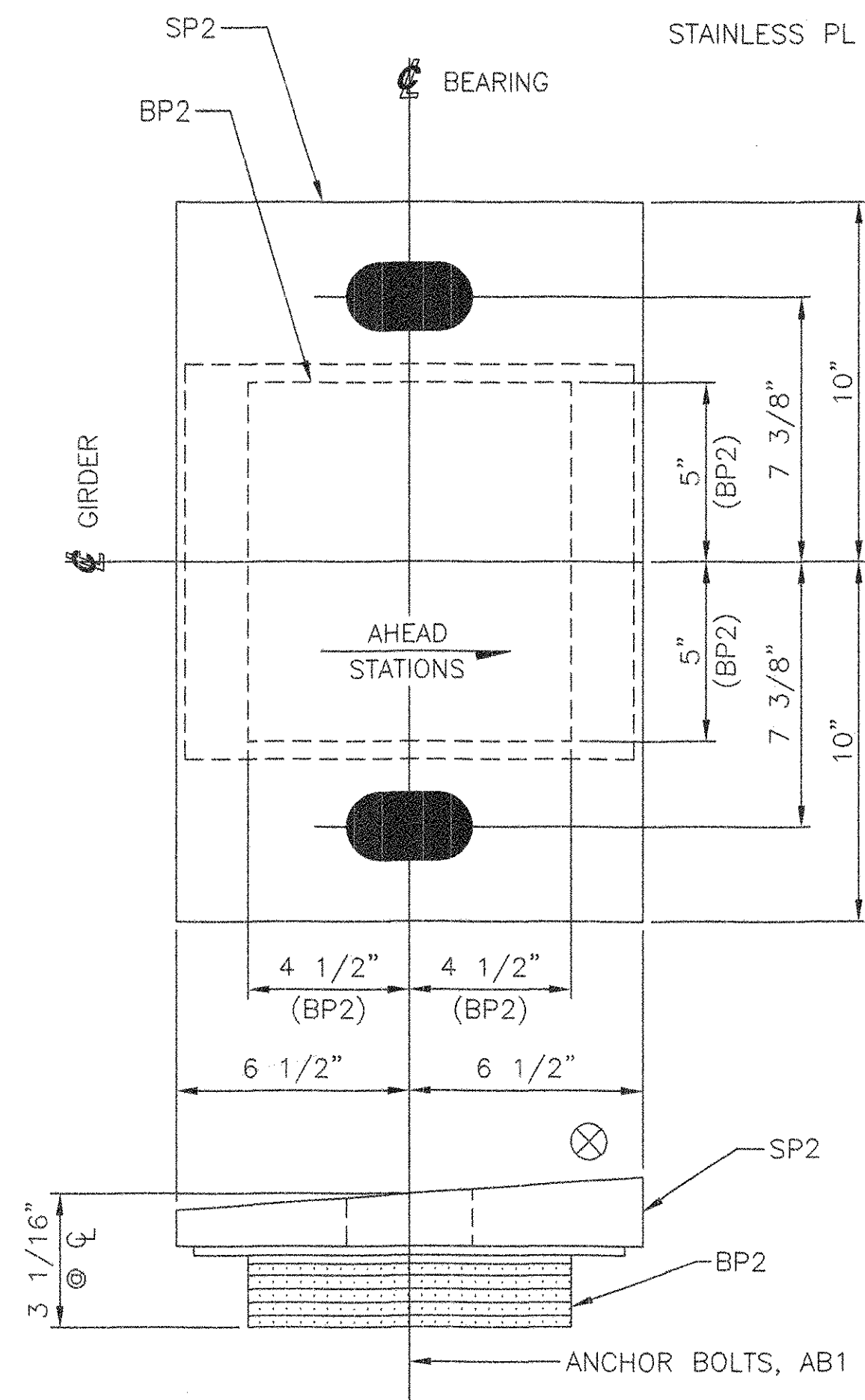


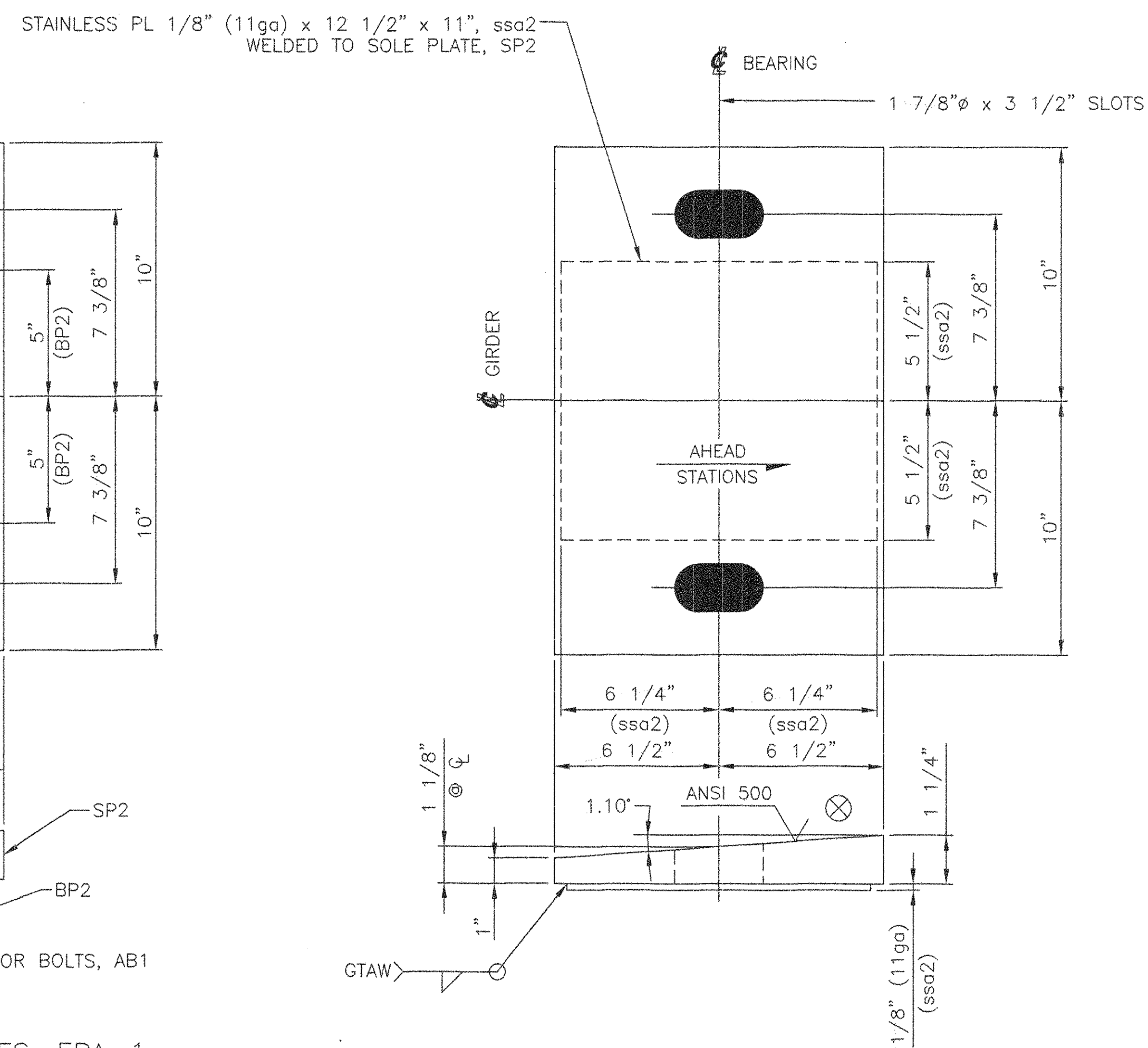
MARK	QTY	DESCRIPTION	IN	16ths	FAB MARK	MILL MARK	WEIGHT
EBA-1	6	EXPANSION BEARING ASSEMBLIES					
SP2	6	PL 1 1/4" x 13"	20	0		METALIZED	553
	6	STAINLESS PL 1/8" (11ga) x 12 1/2"	11	0	ssa2	A240 TYPE 304	32
BP2	6	PREF. PAD 1 3/4" x 9"	10	0			49
	6	PTFE 1/16" x 9"	10	0	tfe2	D1457	3

TOTAL = 637



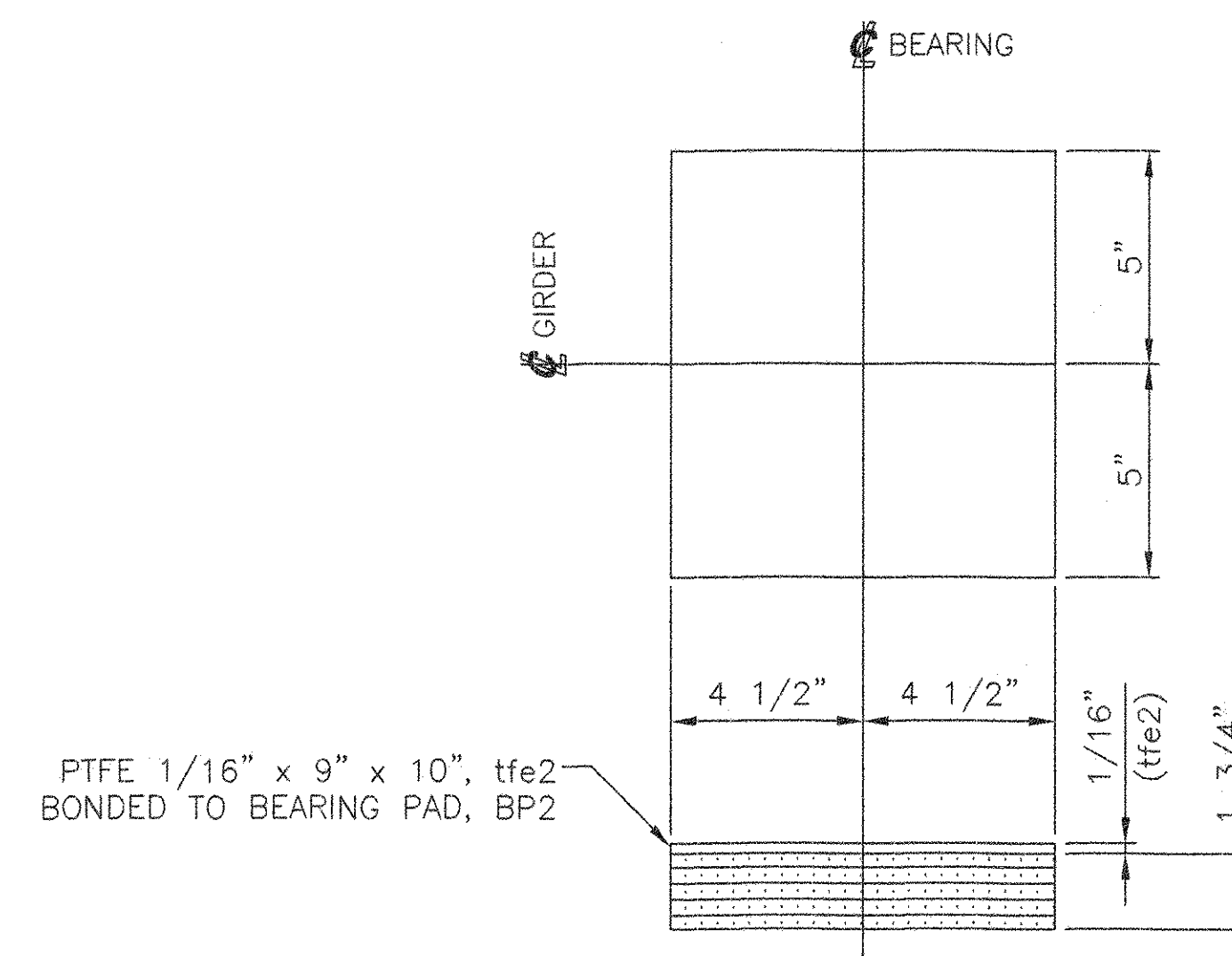
6 EXPANSION BEARING ASSEMBLIES, EBA-1

LOCATE AT
PIER 1, SPAN 1
GIRDERS 1 THRU 6



6 EXPANSION SOLE PLATES, SP2

PL 1 1/4" X 13" X 20"
(METALIZED)
USE WITH
EXPANSION BEARING ASSEMBLY, EBA-1



6 BEARING PADS, BP2
PREFORMED FABRIC PAD 1 3/4" X 9" X 10"
USE WITH
EXPANSION BEARING ASSEMBLY, EBA-1

SEE SHEET 1 FOR SHOP NOTES.

RECEIVED
CHK'D BY: *UB* OK'D BY: *one*
APR 03 2006
RESUBMIT: _____ APPROVED: *[initials]*
BY: *CWC* DATE: *4.6.06*

STATE OF VERMONT
AGENCY OF TRANSPORTATION
VT 118
OVER THE TROUT RIVER
TOWN OF
MONTGOMERY, VERMONT
PROJECT NO. BHF-0283(8)S

COSMEC, INC. 70 SOUTH STREET
WALPOLE, MA. 02081

SCALE: NONE DRAWN BY: JEP CHECKED BY: PJM
SHEET 2 OF 7 DATE: 03/06 DATE: 03/06

COSMEC BEARINGS

REV.	BY:	DATE	CK'D BY:	DATE	CUSTOMER:	S.G. NUMBER	DRAWING NUMBER	REV.
-					A. L. ST. ONGE	60530	4719	0

0473B