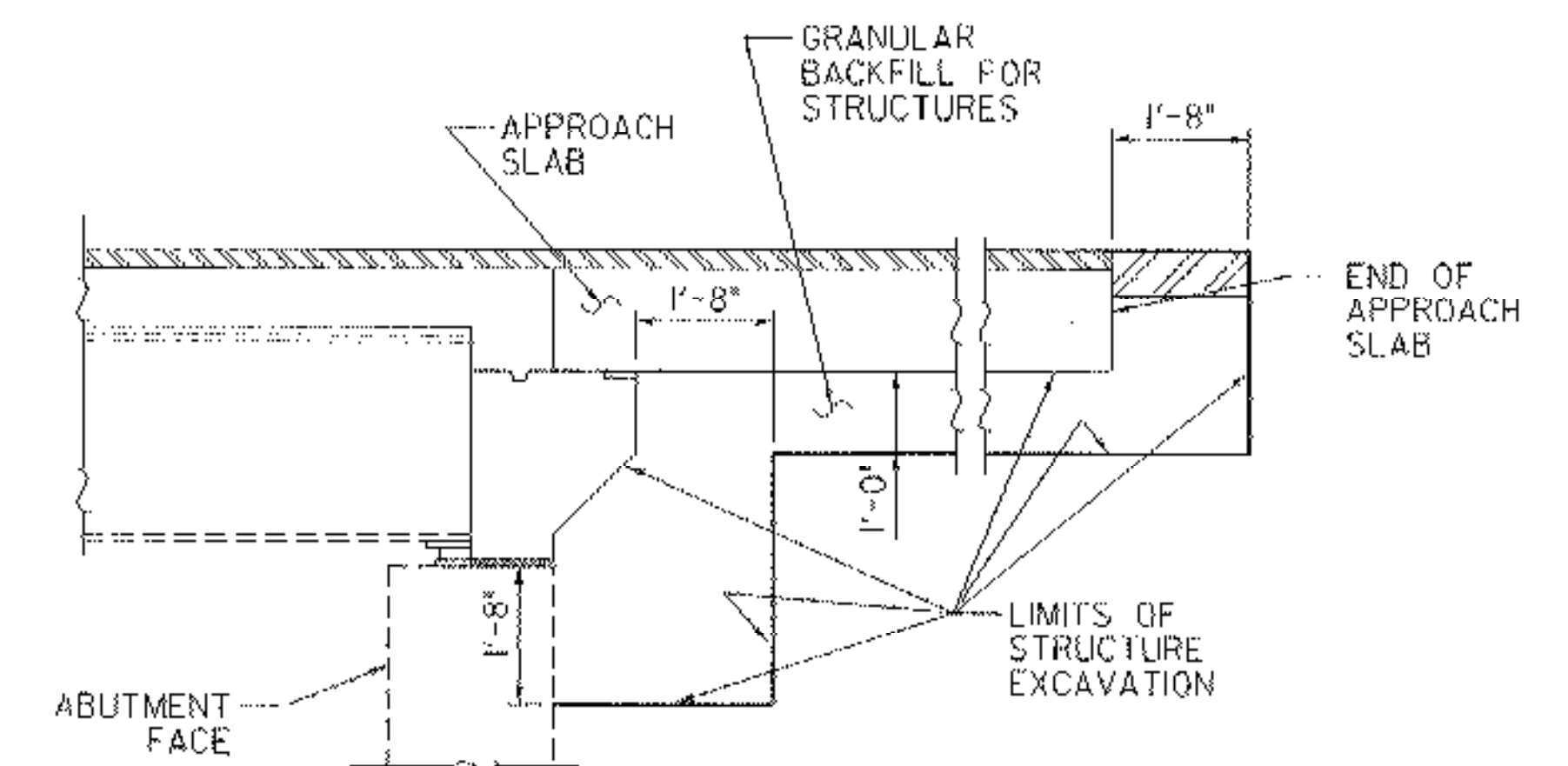
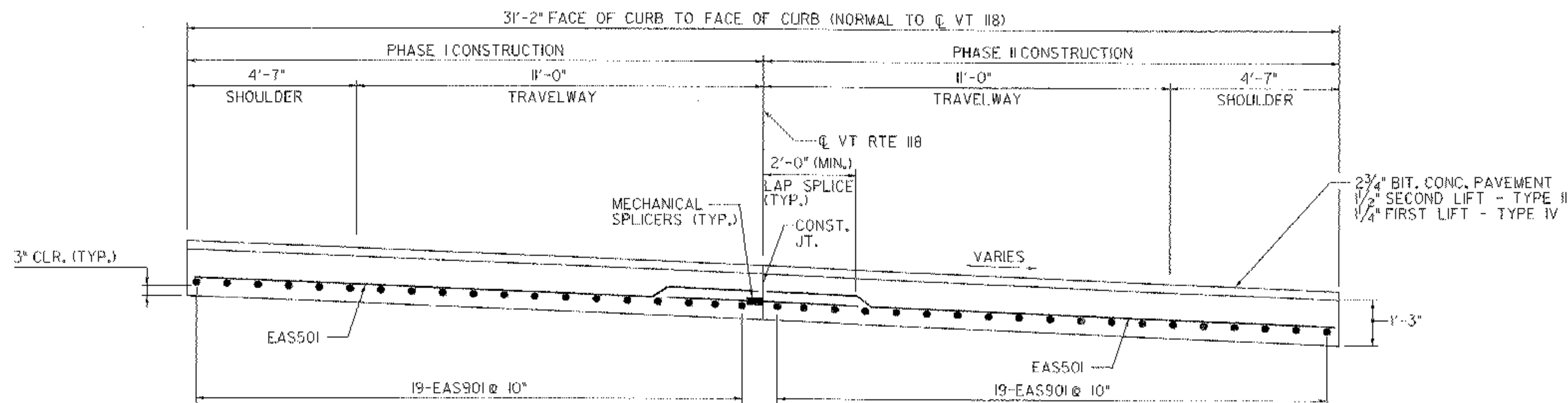


APPROACH SLAB NO. 1 PLAN  
SCALE: 1/4" = 1'-0"

APPROACH SLAB NO. 2 PLAN  
SCALE: 1/4" = 1'-0"



LIMITS OF EXCAVATION DETAILS  
SCALE: 1/2" = 1'-0"



TYPICAL APPROACH SLAB SECTION  
SCALE: 1/2" = 1'-0"

- NOTE:
- HPC CLASS B
  - 1. ELEVATIONS ARE PROVIDED AT TOP OF PROPOSED APPROACH SLAB CONCRETE.
  - 2. APPROACH SLAB CONCRETE SHALL BE CONCRETE, HIGH PERFORMANCE CLASS B, f'c 3500 psi
  - 3. FOR MORE INFORMATION SEE SHEET 25.

<b>STATE OF VERMONT AGENCY OF TRANSPORTATION</b>			
Town Of	MONTGOMERY	Bridge No.	21
Highway No.	VT 118	Log Sta.	
		Surv. Sta.	
VT 118 OVER TROUT RIVER			
APPROACH SLAB DETAILS			
Designed By	J. Haws	Drawn By	P. Dunham
Checked By	R. Hebert	Date	08/31/01
		Bridge Design Supervisor	R. WHITCOMB
PROJECT	MONTGOMERY	PROJECT NO.	BHF 0283(8)S
I.G.C. Info.			ZC36ast.DGN
Bridge Sheet No.		Sheet	30 of 45

REVISED 3/13/06

**TYLINT** INTERNATIONAL