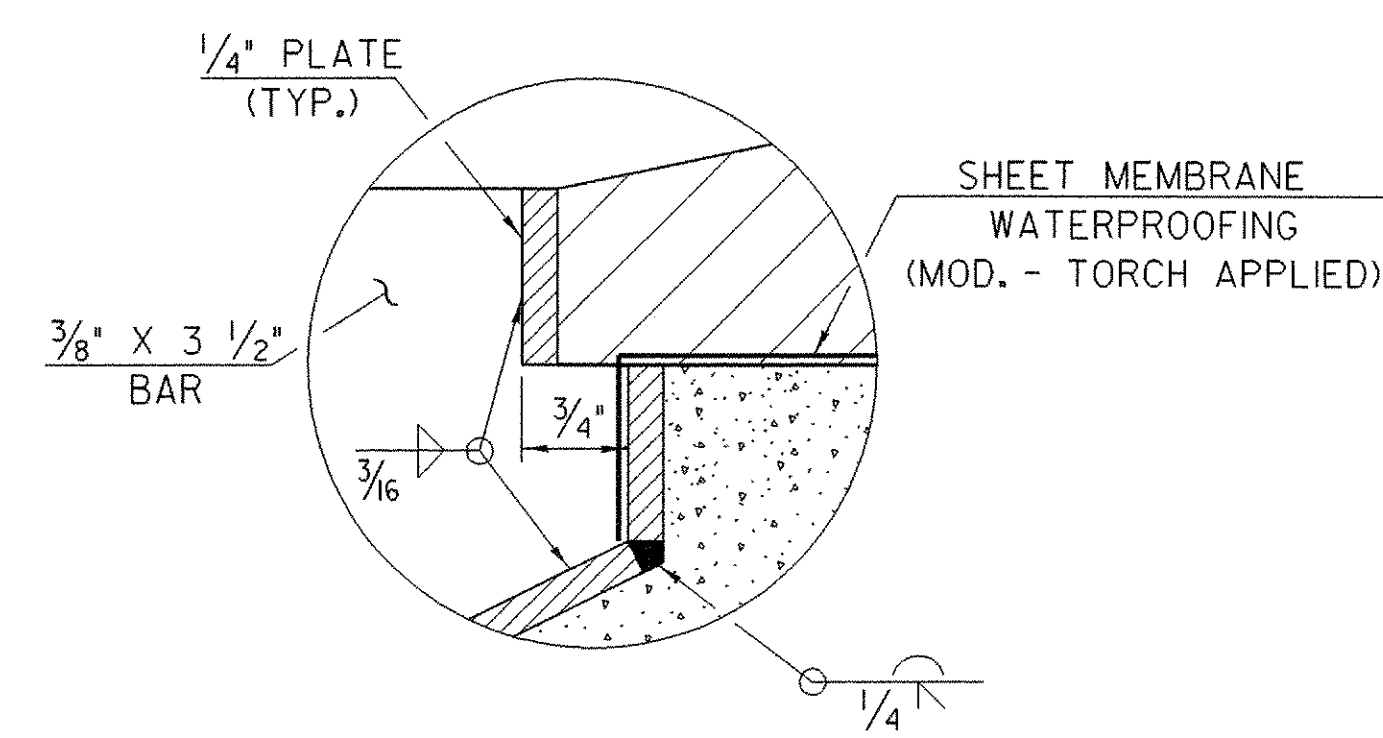
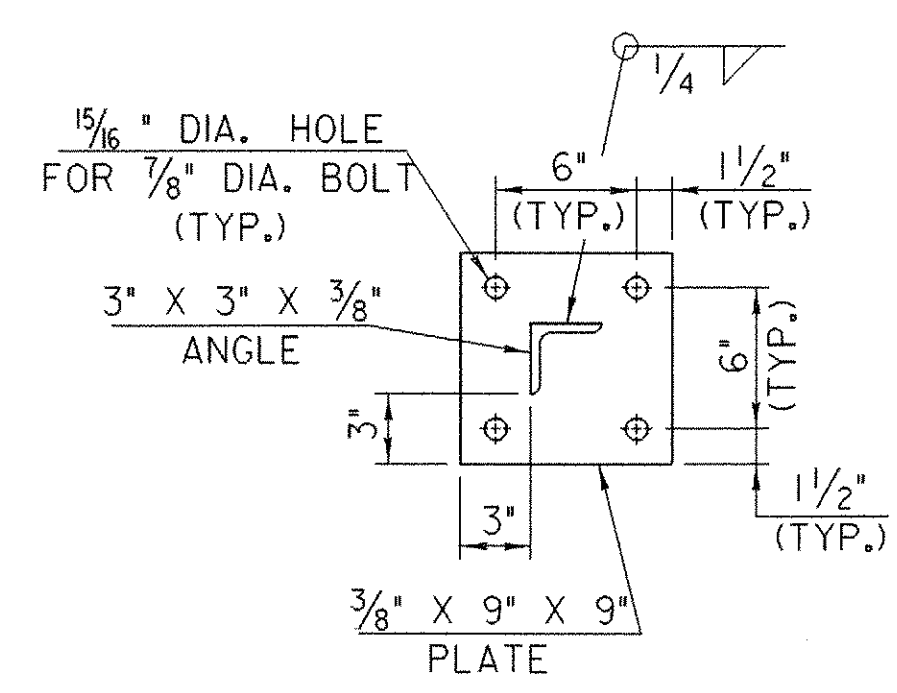


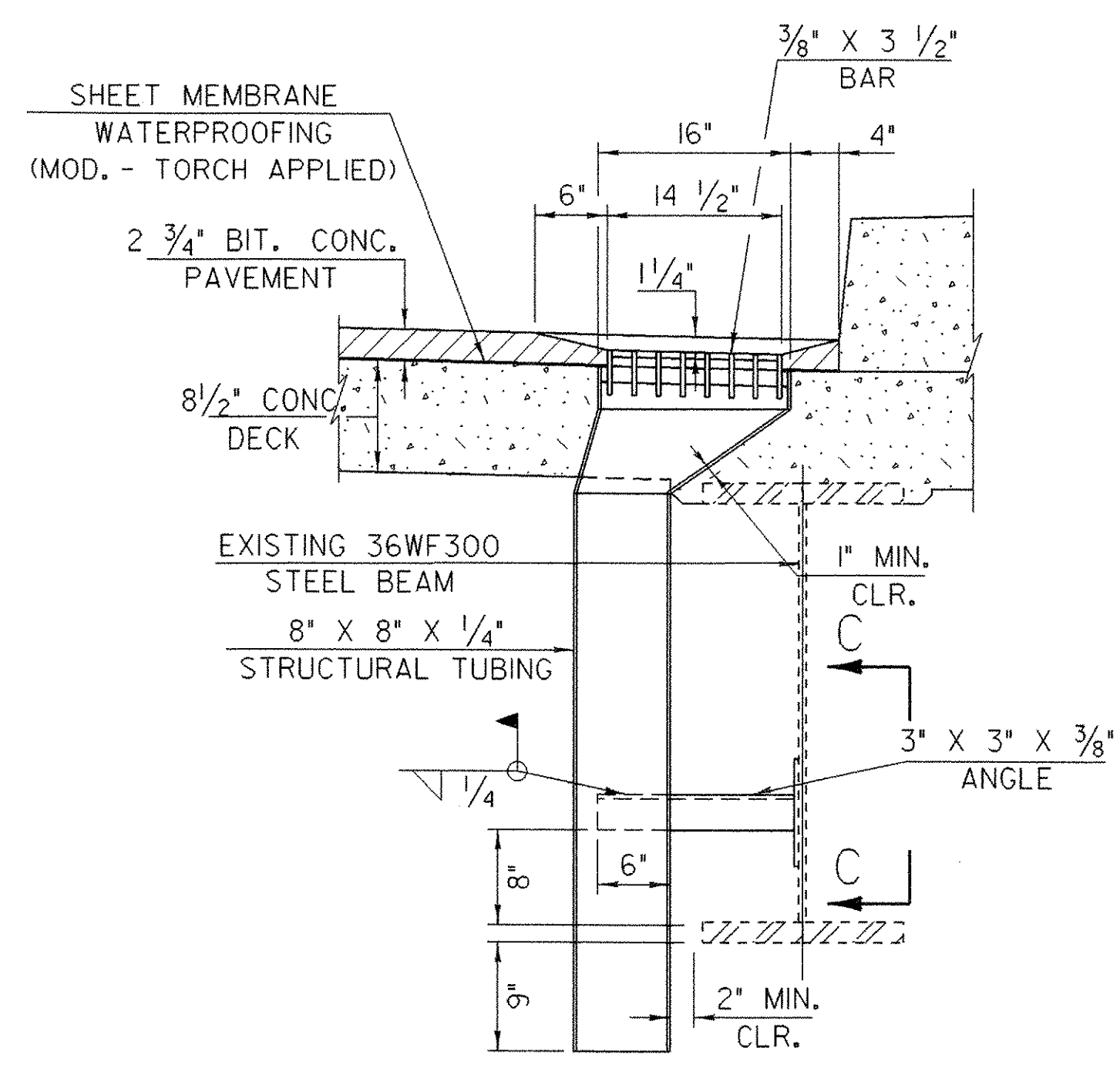
**SECTION B - B**  
SCALE: 1 1/2" = 1'-0"



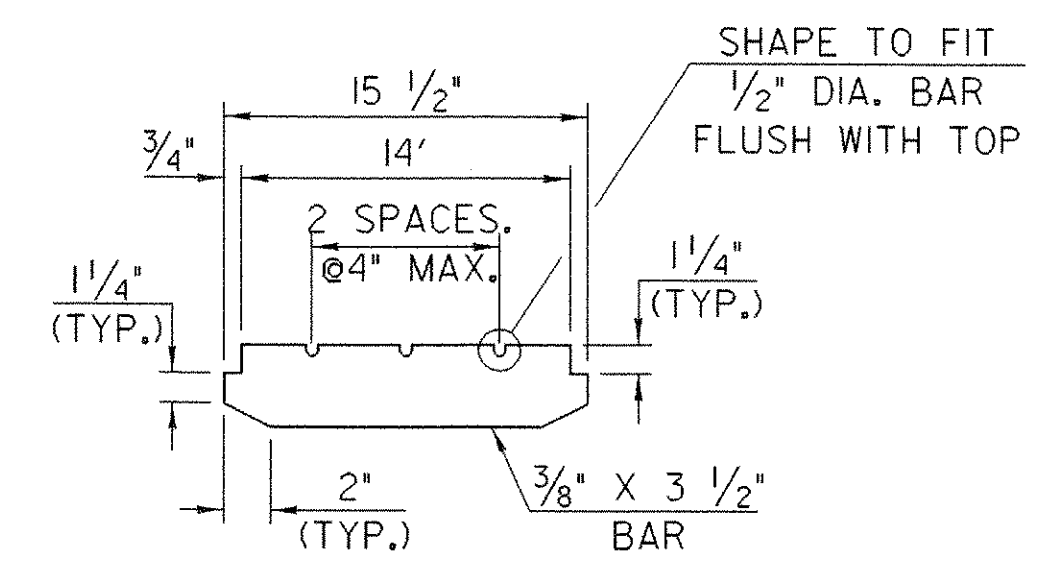
**DETAIL "C"**  
NTS



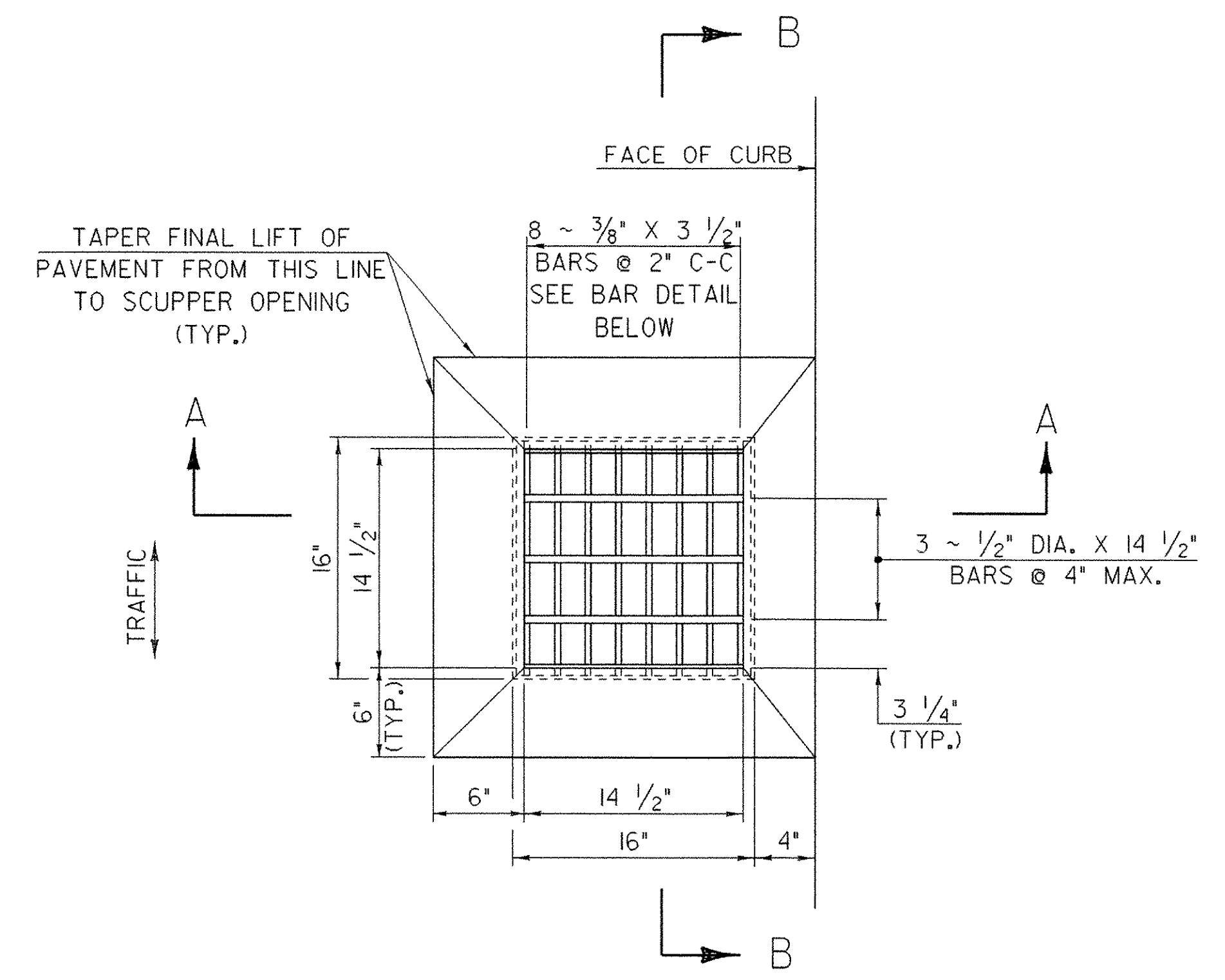
**SECTION C - C**  
SCALE: 1 1/2" = 1'-0"



**SECTION A - A**  
SCALE: 1" = 1'-0"



**BAR DETAIL FOR GRATE**  
SCALE: 1 1/2" = 1'-0"



**PLAN**  
SCALE: 1 1/2" = 1'-0"

**NOTES:**

1. HOLLOW STRUCTURAL STEEL TUBING SHALL CONFORM TO ASTM A-500 GR. B OR A-501.
2. ALL PLATES, BARS, AND ANGLES SHALL CONFORM TO AASHTO M 270 GR. 36.
3. ALL SCUPPERS SHALL BE GALVANIZED IN ACCORDANCE WITH AASHTO M 111M/M111 AFTER FABRICATION.
4. THE TOP SURFACE OF SCUPPER SHALL BE SLOPED TO MATCH ROADWAY SLOPE AND GRADE.
5. THE BAR AND GRATE SECTION MAY BE PREFABRICATED PROVIDING THE GEOMETRY AND SECTION PROPERTIES ARE EQUIVALENT TO THE DETAILS SHOWN.
6. SCUPPERS SHALL BE PAID FOR UNDER ITEM 506.60 "STRUCTURAL STEEL".
7. ALL BOLTS AND RELATED HARDWARE SHALL BE ASTM A-307 AND SHALL BE GALVANIZED IN ACCORDANCE WITH ASTM A-153 (AASHTO M 232M/M 232).

**SCUPPER LOCATION**  
STA. 12+56 RT  
(SEE PLAN  
ON SHEET 23)

**STATE OF VERMONT  
AGENCY OF TRANSPORTATION**

Town Of	<b>MONTGOMERY</b>	Bridge No.	21
Highway No.	<b>VT 118</b>	Log Sta.	
<b>VT 118 OVER TROUT RIVER</b>			
<b>SCUPPER DETAILS</b>			
Designed By	<i>J Howe</i>	Drawn By	<i>J Davis</i>
Checked By	<i>R Hebert</i>	Bridge Design Supervisor	<i>R. WHITCOMB</i>
PROJECT	<b>MONTGOMERY</b>	PROJECT NO.	<b>BHF 0283(8)S</b>
I.G.C. Info.			<i>ZC316SCUDGN</i>
Bridge Sheet No.		Sheet	26 of 45

**TYLIN INTERNATIONAL**

DATE: 8/21/01 FILENAME: 4FILES