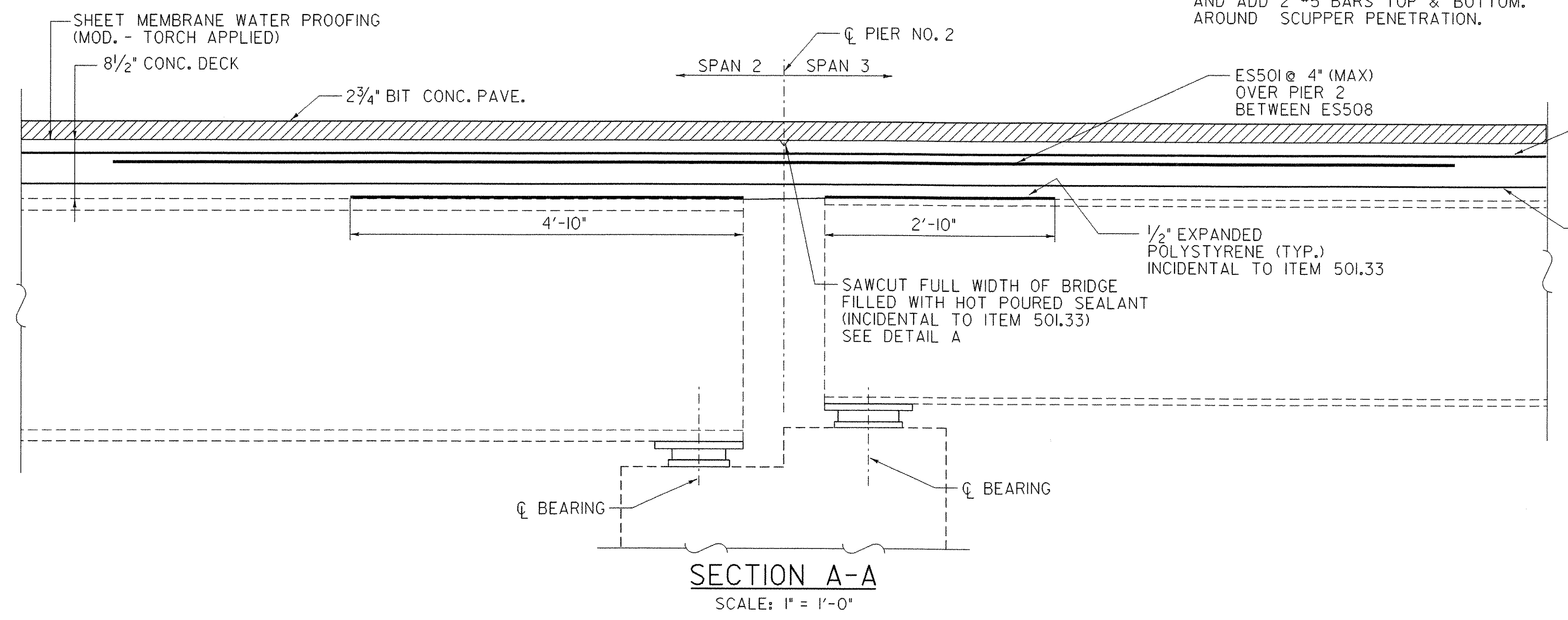


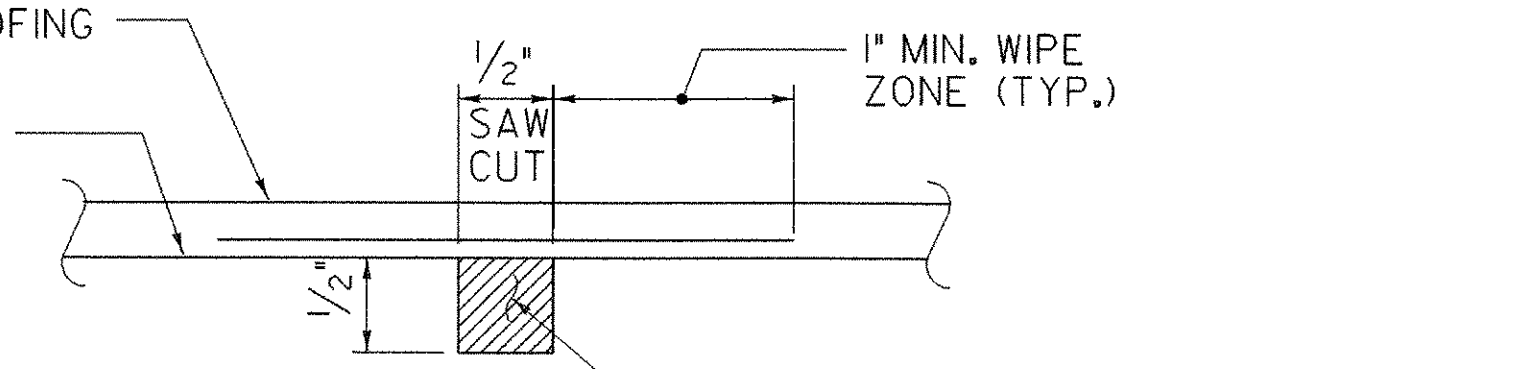
**SPANS 2 & 3  
DECK PLAN**  
SCALE: 3/16" = 1'-0"

\* CUT DECK REINFORCEMENT AROUND SCUPPER AND ADD 2 #5 BARS TOP & BOTTOM. AROUND SCUPPER PENETRATION.

SHEET MEMBRANE WATER PROOFING (MOD. - TORCH APPLIED)



**SECTION A-A**  
SCALE: 1" = 1'-0"



**DETAIL A**  
NOT TO SCALE

NOTE: JOINT SEALER SHALL BE SLIGHTLY OVER FILLED THEN WIPED FLUSH WITH A "V" OR "U" SHAPED SQUEEGEE TO PROVIDE A 1" WIPE ZONE EACH SIDE OF JOINT.

**TYLIN INTERNATIONAL**

<b>STATE OF VERMONT AGENCY OF TRANSPORTATION</b>			
Town Of	<b>MONTGOMERY</b>	Bridge No.	21
Highway No.	<b>VT 118</b>	Log Sta.	
		Surv. Sta.	
<b>VT 118 OVER TROUT RIVER DECK REINFORCING PLAN (2)</b>			
Designed By	<i>J. Howe</i>	Drawn By	<i>J. Davis</i>
Checked By	<i>R. Hebert</i>	Bridge Design Supervisor	<i>R. WHITCOMB</i>
	Date: <i>08/31/01</i>	Date	
PROJECT	<b>MONTGOMERY</b>	PROJECT NO.	<b>BHF 0283(8)S</b>
I.G.C. Info.		ZC316DPL.DGN	
Bridge Sheet No.		Sheet 23 of 45	