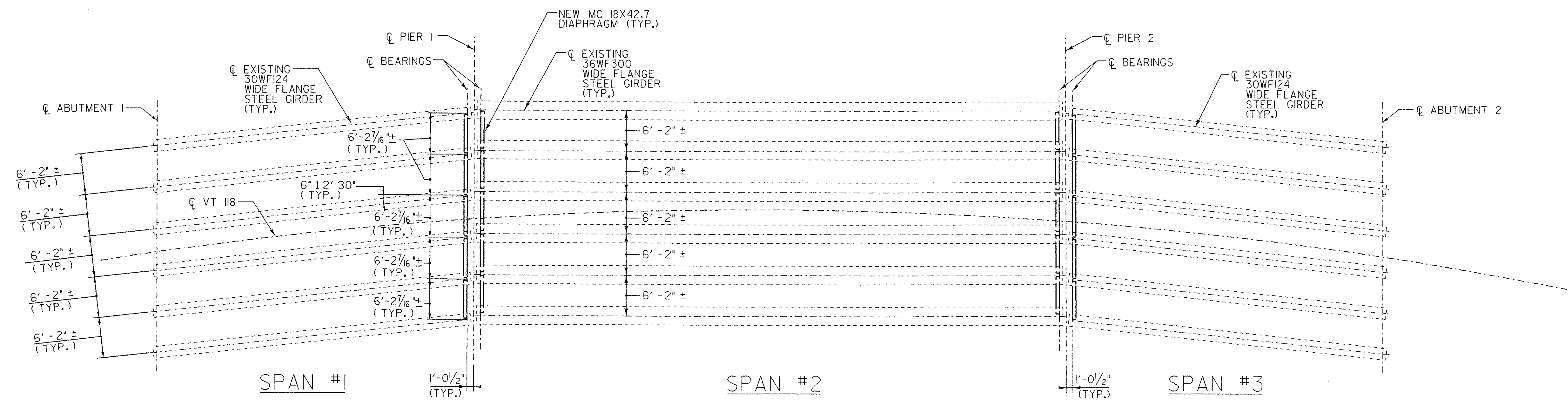


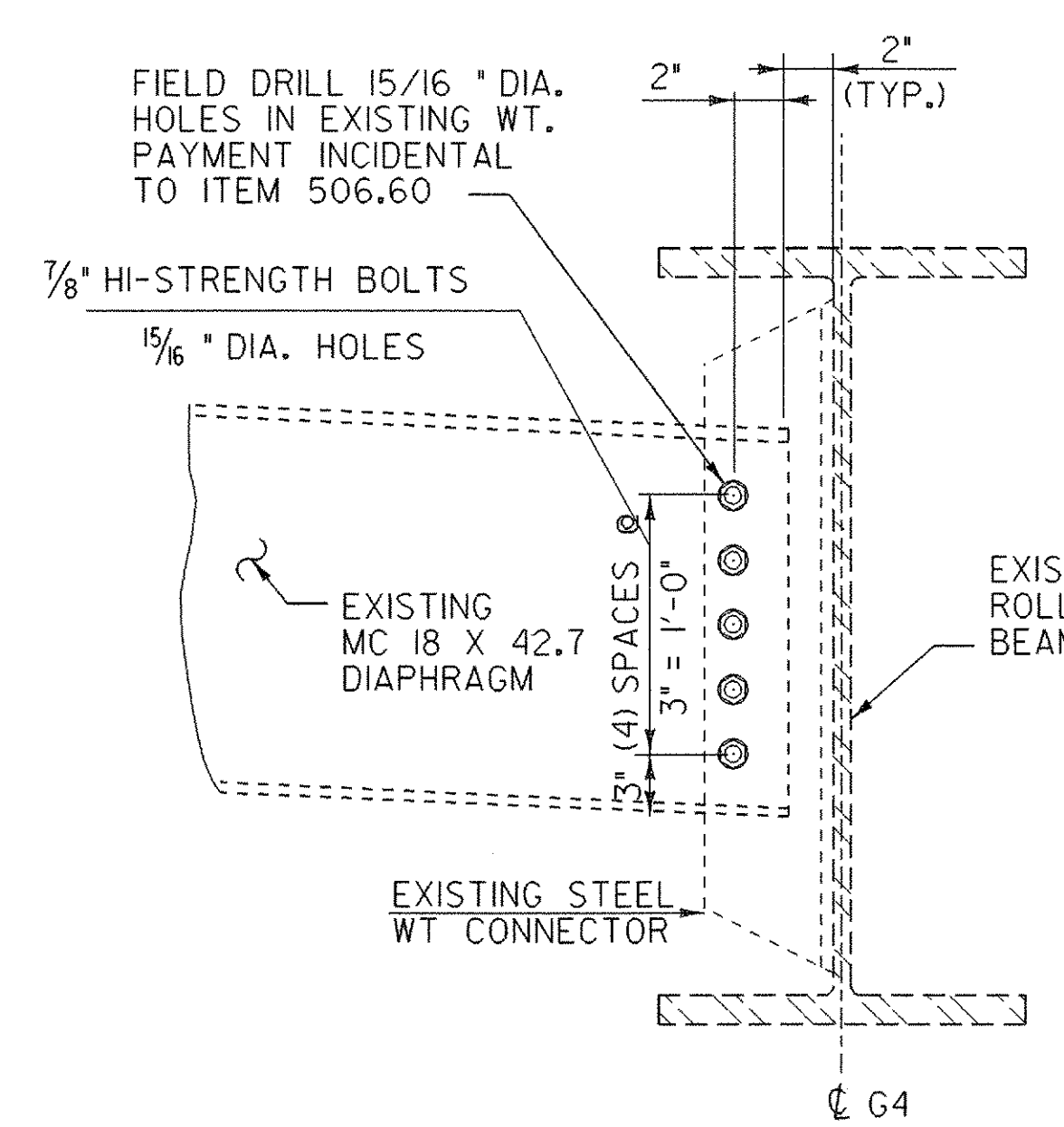
SHEAR STUD SPACING
SPAN 1 GIRDERS

SHEAR STUD SPACING
SPAN 2 GIRDERS

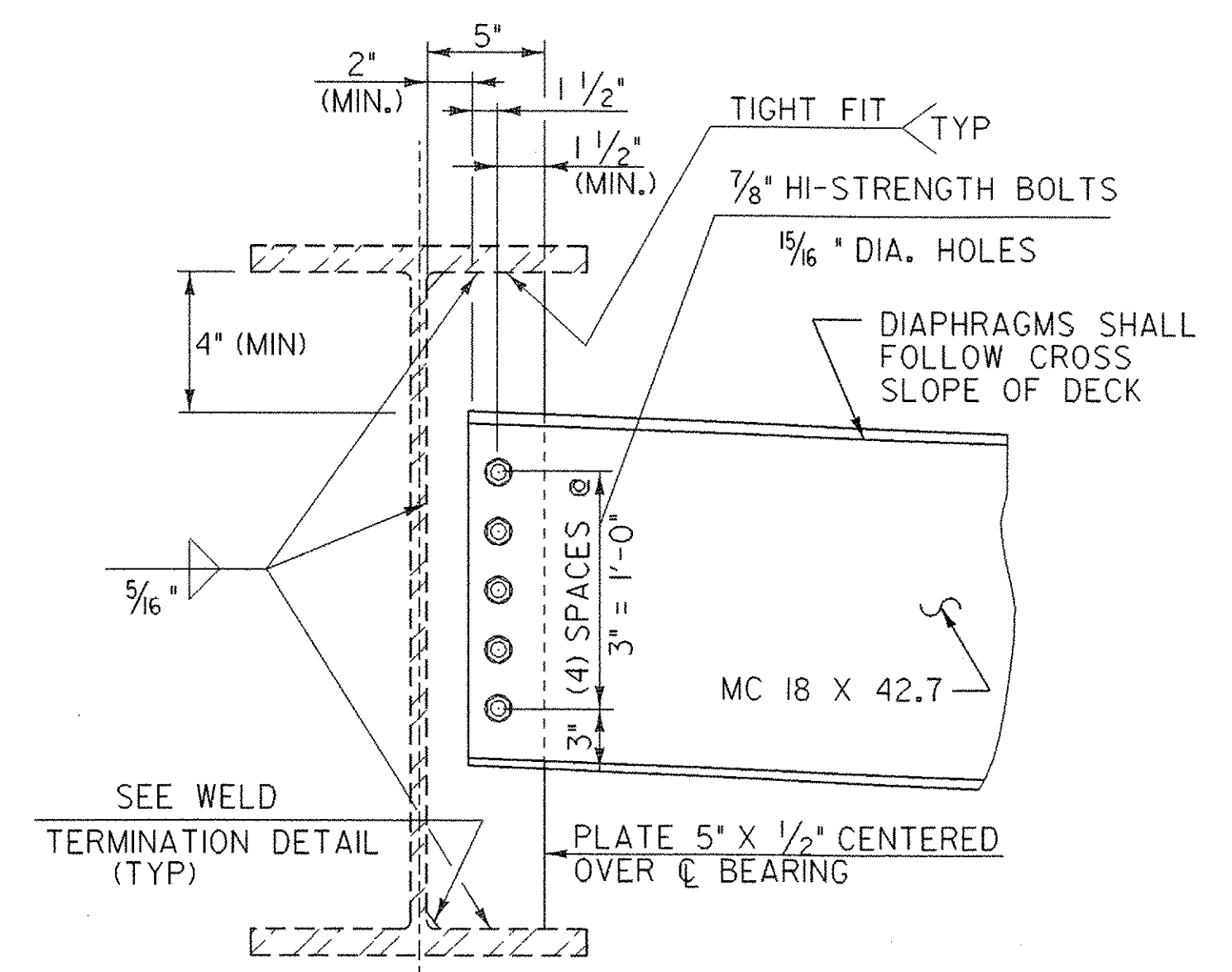
SHEAR STUD SPACING
SPAN 3 GIRDERS



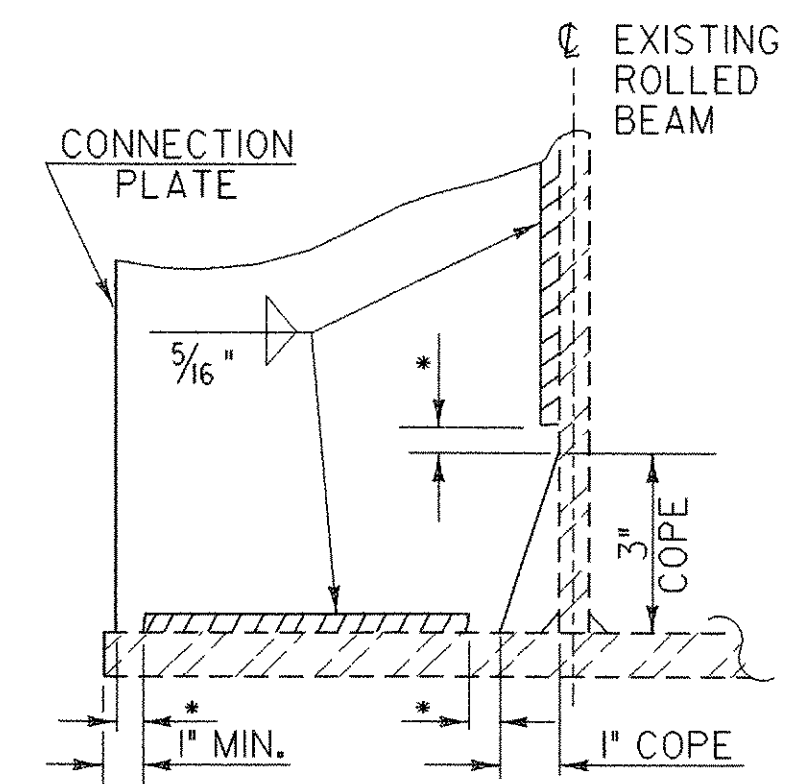
FRAMING PLAN
SCALE: 1/8" = 1'-0"



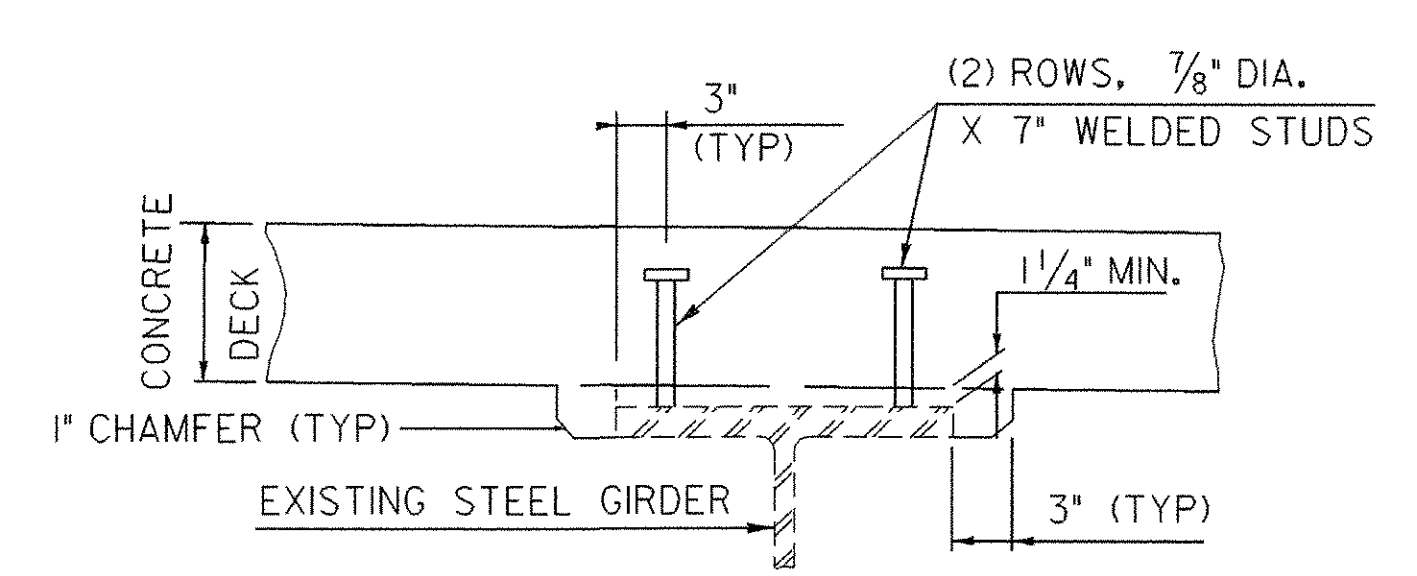
TYPICAL INTERMEDIATE DIAPHRAGM CONNECTION RECONSTRUCTION DETAIL
SCALE: 1/2" = 1'-0"



TYPICAL PIER DIAPHRAGM DETAIL
SCALE: 1/2" = 1'-0"



WELD TERMINATION DETAIL
SCALE: 1/2" = 1'-0"



BEAM HAUNCH AND SHEAR CONNECTOR DETAILS
NTS

NOTE: 3" HORIZONTAL SECTION MAY BE ELIMINATED FOR FORMING SYSTEMS DESIGNED FOR THE CONSTRUCTION OF VERTICAL HAUNCHES IF APPROVED BY THE STRUCTURES ENGINEER

NOTE:
1. FOR NOTES SEE SHEET 18

STATE OF VERMONT AGENCY OF TRANSPORTATION			
Town Of	MONTGOMERY	Bridge No.	21
Highway No.	VT 118	Log Sta.	
		Surv. Sta.	
VT 118 OVER TROUT RIVER			
STEEL DETAILS			
Designed By	J. Howe	Drawn By	J. Davis
Checked By	R. Hebert	Bridge Design Supervisor	R. WHITCOMB
	Date: 08/31/01	Date	
PROJECT	MONTGOMERY	PROJECT NO.	BHF 0283(8)S
I.G.C. Info.			ZC316SDL.DGN
Bridge Sheet No.		Sheet	19 of 45

TYLINTERNATIONAL