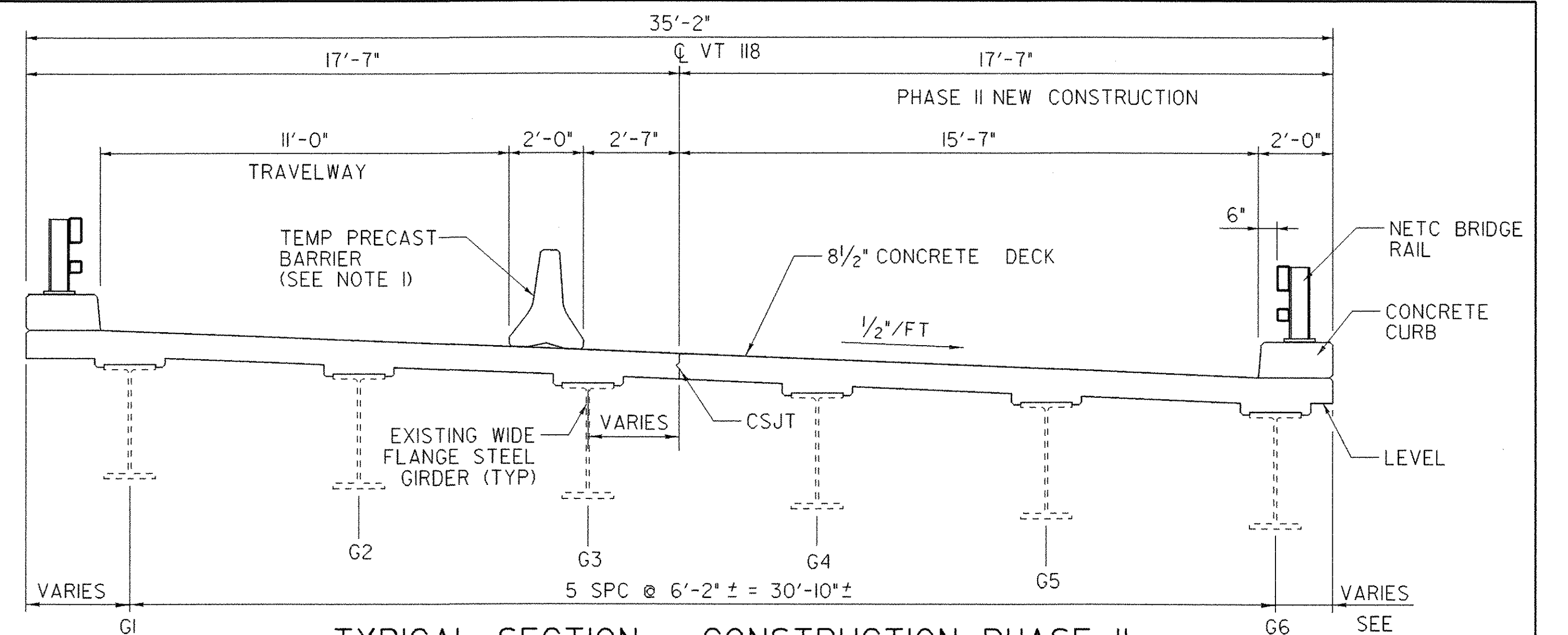


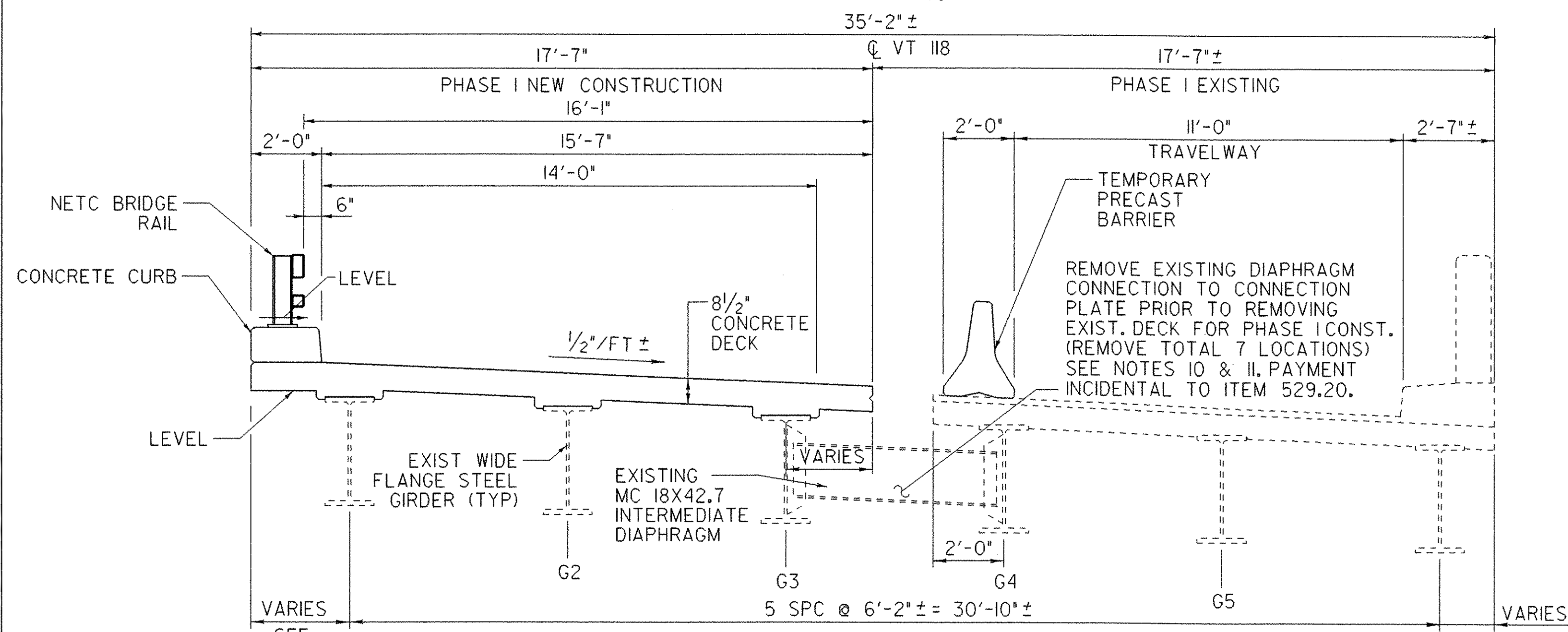
TYPICAL SECTION - EXISTING

SCALE: 3/8" = 1'-0"



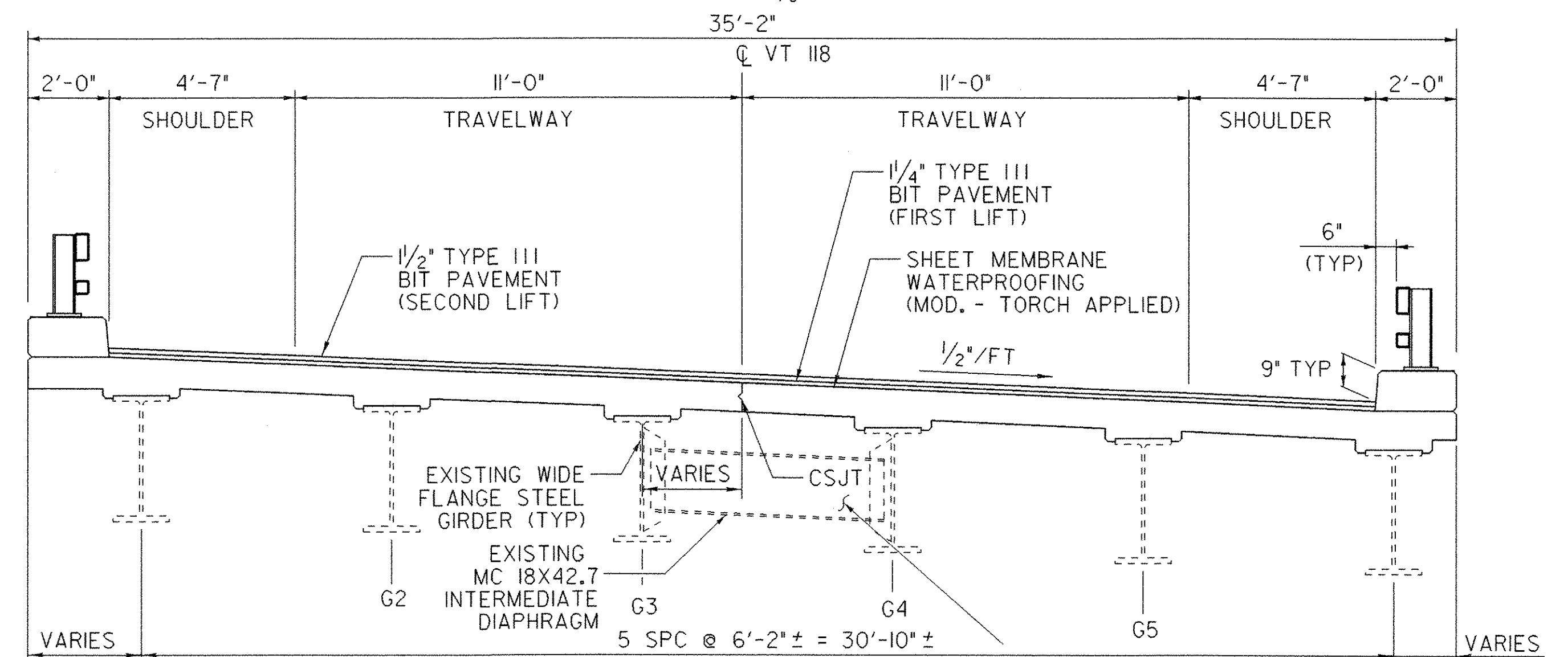
TYPICAL SECTION - CONSTRUCTION PHASE II

SCALE: 3/8" = 1'-0"



TYPICAL SECTION - CONSTRUCTION PHASE I

SCALE: 3/8" = 1'-0"



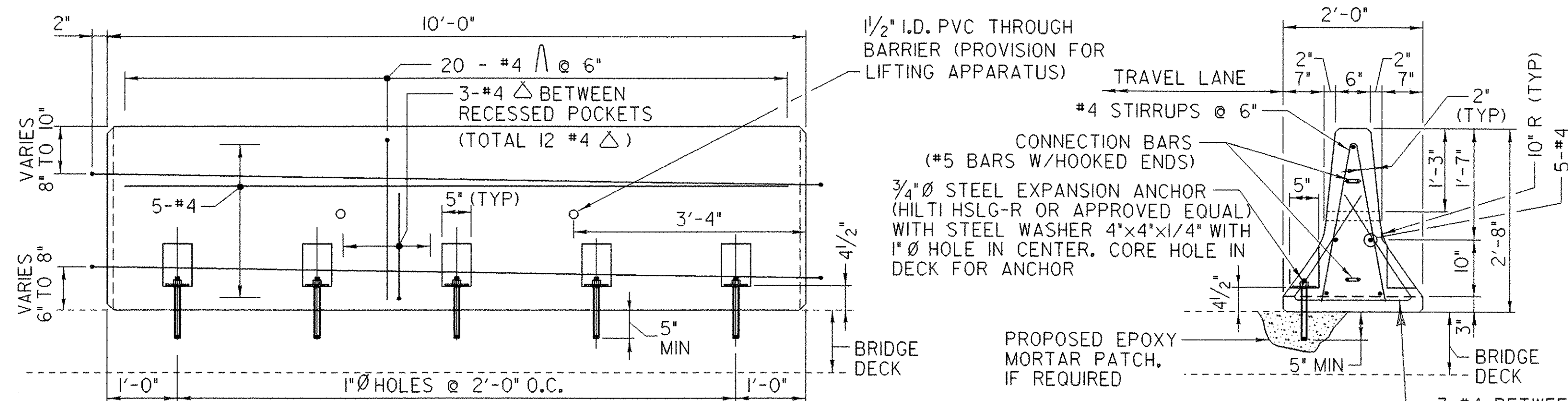
TYPICAL SECTION - CONSTRUCTION PHASE III FINAL BUILD

SCALE: 3/8" = 1'-0"

NOTES:

- NO DRILLING OF ANCHORS WILL BE ALLOWED FOR THE ATTACHMENT OF THE TEMPORARY PRECAST BARRIER TO THE NEW CONCRETE DECK.
- ANCHOR BOLTS INSTALLED ON EXISTING DECK ARE TO BE OF STEEL CONFORMING TO ASTM A307.
- NUTS SHALL CONFORM TO ASTM A307.
- ANCHOR PRECAST CONCRETE TEMPORARY BARRIER ON BRIDGE DECK TO EXISTING DECK (5 ANCHORS SPACED @ 2'-0" O.C. IN 10' SECTIONS).
- FOR ADDITIONAL DETAILS REFER TO STANDARD SHEET G-18.
- ALL MODIFICATIONS OF STANDARD PRECAST CONCRETE TEMPORARY TRAFFIC BARRIER FOR ATTACHMENT TO BRIDGE DECK, INCLUDING REINFORCING, BRIDGE DECK REPAIRS, ANCHORS AND EPOXY OR CONCRETE MORTAR ARE INCIDENTAL TO ITEM 621.90. ANCHOR DETAIL SHOWN ONLY APPLIES TO ANCHORAGE TO EXISTING CONCRETE DECK (PHASE I ONLY).
- PHASE TWO ANCHOR DETAILS TO BE SUBMITTED FOR REVIEW.
- EXISTING FIBER OPTICS CABLE SHALL BE REMOVED AND PERMANENTLY RELOCATED OFF THE BRIDGE BY OTHERS. CONTRACTOR SHALL COORDINATE ALL BRIDGE REHABILITATION WORK WITH UTILITY RELOCATION WORK AS REQUIRED.
- FOR OVERHANG DIMENSIONS SEE FASCIA OFFSET PLAN, SHEET 24.
- CONTRACTOR MAY PARTIALLY REMOVE THE DECK SLAB BETWEEN G3 AND G4 TO GAIN ACCESS TO THE DIAPHRAGMS.
- EXISTING WELDS SHALL BE REMOVED USING AIR ARC METHOD. WELD REMOVAL METHOD SHALL BE SUBMITTED TO ENGINEER FOR APPROVAL.

RESTORE CONNECTION OF EXISTING INTERMEDIATE DIAPHRAGM TO CONNECTION PLATE. SEE SHEET 19. (RESTORE CONNECTION TOTAL 7 LOCATIONS) PAYMENT INCIDENTAL TO ITEM 506.60



ELEVATION SECTION
 PRECAST CONCRETE TEMPORARY TRAFFIC BARRIER DETAILS

SCALE: 3/4" = 1'-0"

TYLIN INTERNATIONAL

STATE OF VERMONT AGENCY OF TRANSPORTATION	
Town Of MONTGOMERY	Bridge No. 21
Highway No. VT 118	Log Sta. Surv. Sta.
VT 118 OVER TROUT RIVER BRIDGE CONSTRUCTION STAGING	
Designed By J. Howe	Drawn By J. Davis
Checked By R. Hebert	Bridge Design Supervisor R. WHITCOMB
Date 08/31/01	Date
PROJECT MONTGOMERY	PROJECT NO. BHF 0283(8)S
I.G.C. Info. 	ZC316CS1.DGN
Bridge Sheet No. 	Sheet 9 of 45