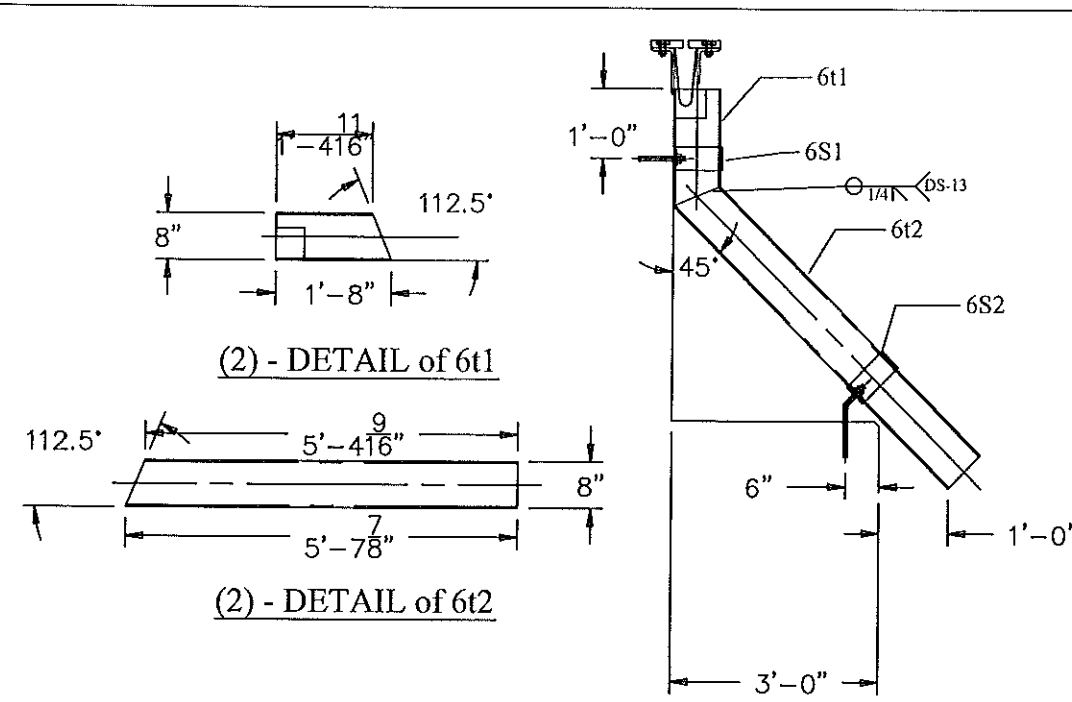


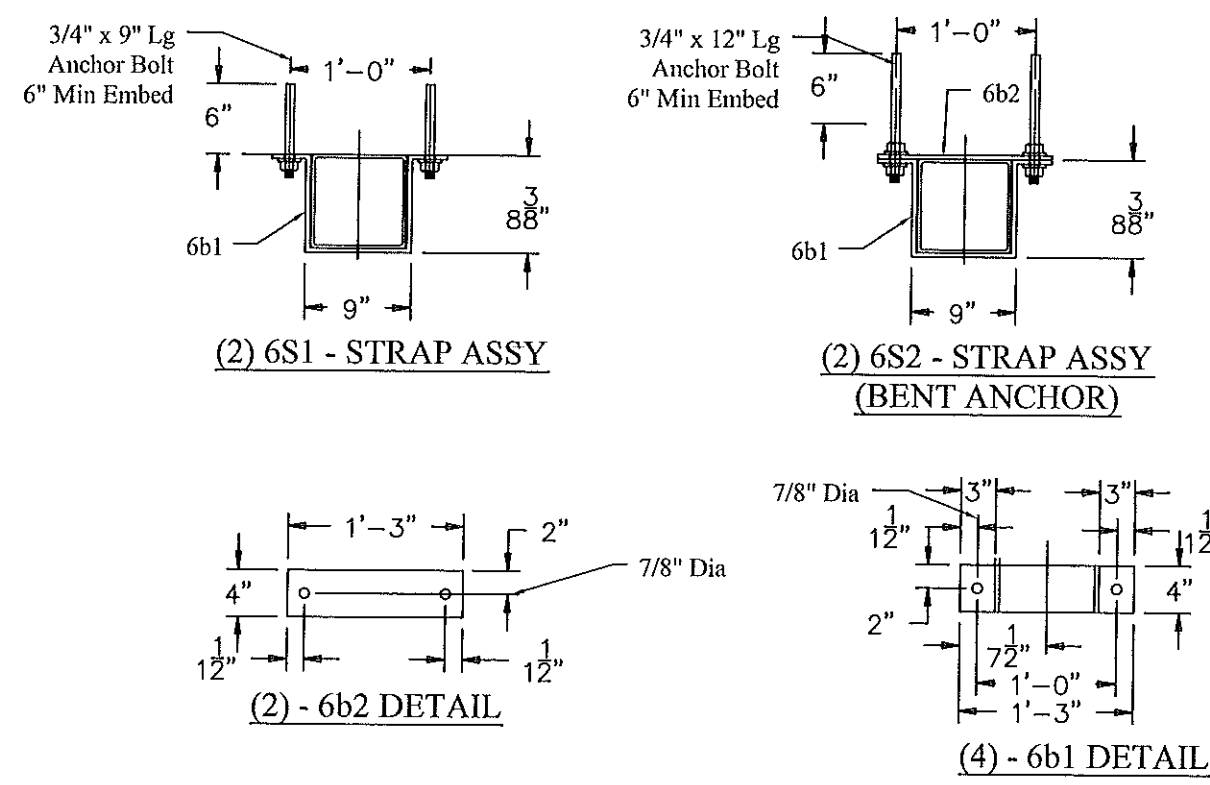
Detail of 6t1 Cutout for Trough



(2) - 6D1 DOWNSPOUT

BILL OF MATERIALS				
QTY	MARK	SIZE	DESCR	REMARKS
2	6D1		DOWNSPOUT ASSY	
2	6S1		STRAP ASSY	
2	6S2		STRAP ASSY BENT ANCHOR	
2	6t1		Tube 4" x 8" x 1/4"	1'-4"
2	6t2		Tube 4" x 8" x 1/4"	5'-7 3/8"
2	6S1		STRAP ASSY	
2	6S1		Bar 3/8" x 4"	2'-7"
4			3/4" x 9" Lg. Richwood Anchor Bolt	w/ Nut & Washer
2	6S2		STRAP ASSY BENT ANCHOR	
2	6S1		Bar 3/8" x 4"	2'-7"
2	6S2		Bar 3/8" x 4"	1'-3"
4			3/4" x 12" Lg. Richwood Anchor Bolt	Best w/ 2 Nuts & 2 Washers

DOWNSPOUT NOTES:
 1. HOLLOW STRUCTURAL STEEL SHALL CONFORM TO ASTM A 600
 2. ALL BOLTS, NUTS AND WASHERS SHALL CONFORM TO ASTM F 413 GRADE 5
 3. RIVETS AND RIVET HEADS SHALL CONFORM TO ASTM F 2280
 4. DOWNSPOUT AND HANGERS SHALL BE GALVANIZED IN ACCORDANCE WITH ASTM A 123
 5. ALL BOLTS AND RELATED HARDWARE SHALL BE ASTM A 307 AND SHALL BE GALVANIZED IN ACCORDANCE WITH ASTM A 123 (AS SHOWN)



T-Y-LIN INTERNATIONAL

No Revision Taken
 Mistake Correction as Noted
 Submit Specified Item
 Revise and Resubmit as Noted
 Rejected

Checking is for general compliance with the design concept of the project and general compliance with the information given in the contract documents only. Any action shown is not an approval and is subject to the requirements of the plans and of an inspection of which the item is a component. Contractor is solely responsible for determination of whether the item is a component. Contractor is solely responsible for procurement, installation, and maintenance of the item, and for the safety of the work with that of all other trades and the safety of the project.

Drawn By: *Shanta Keller* Date: *5/28/10*

DRAWING COVERS

DOWNSPOUT LAYOUT & DETAILS

PROJECT	VERMONT RVT 0283 (S)
LOCATION	VERMONT ROUTE 118 BRIDGE RD. 30
ENGINEER	VERMONT AGENCY OF TRANSPORTATION
CUSTOMER	S. D. REILAND CONCRETE CONSTRUCTION CORPORATION

MERRIMACK SHEET METAL

119 HALL STREET
 CONCORD NH 03301
 Tel. 603.224.7766
 Fax 603.224.7925

REV. NO.	DATE	DESCRIPTION
2	4-29-2010	REVISED FOR APPROVAL COMMENTS
1	4-20-2010	REVISED FOR APPROVAL COMMENTS
0	3-22-2010	SUBMITTED FOR APPROVAL

ISSUES AS NOTED

MATERIAL: AS SHOWN IN 270 BRIDGE 36 ONLY

DESIGNED BY:	RL
CHECKED BY:	JD
JOB NO.:	#3201
DWG.:	FG