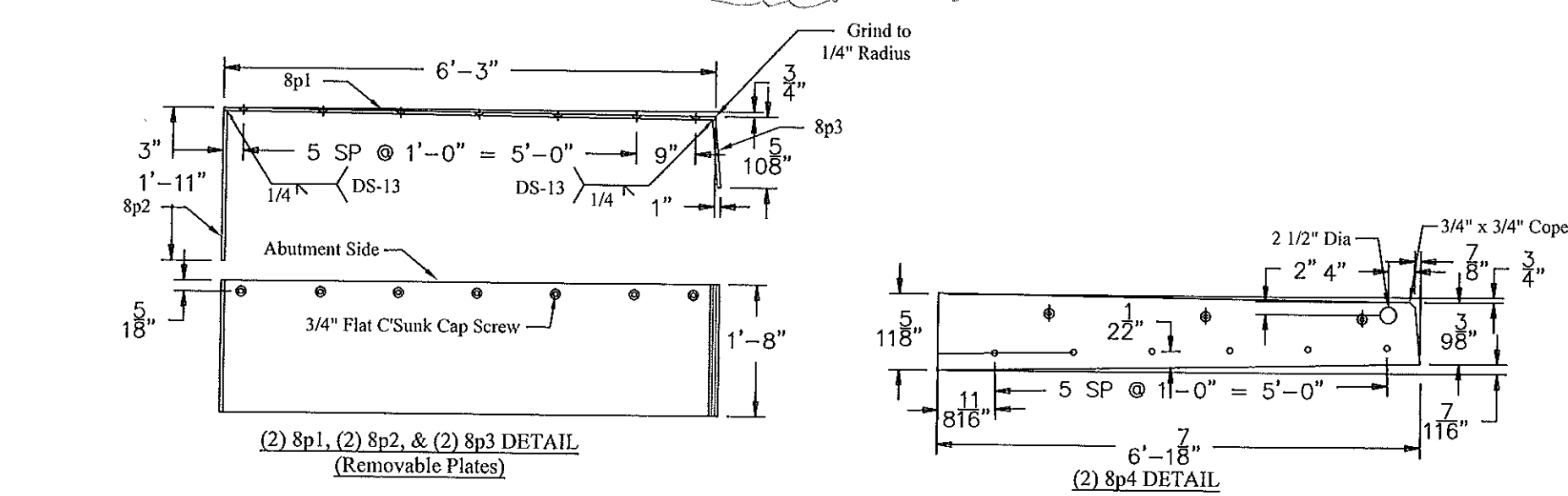


Revised.

I believe per Drawings, Removable Plates are 1/2" thickness to provide 1/8" gap on Abutment side
(Please let me know if this is incorrect)



For Inspection Notes

Make Correction as Noted

Submit Specified Item

Resubmit and Resubmit as Noted

Rejected

Checking for general compliance with the design concept of the project and general compliance with the information given in the contract documents only. Any action taken is not an approval and is subject to the requirements of the plans and specifications. Any notes shown on a specific item shall not be taken as a check of any item of which the item is a component. Contractor's safety responsibility: discussion shall only be confirmed and completed on the job site, in person, presence, based on circumstances, safety procedures and coordination of the work with that of all other trades and the satisfactory performance of the work.

Reviewed By: *Shanta Kelle* Date: *5/10/10*

DATE SUBMITTED	DESCRIPTION
2	4-29-2010 REVISED PER APPROVAL COMMENTS
1	4-28-2010 REVISED PER APPROVAL COMMENTS
0	3-22-2010 SUBMITTED FOR APPROVAL

PROJECT	REVISIONS
MERRIMACK SHEET METAL	03
119 HALL STREET	
CONCORD NH 03301	
Tel. 603.224.7766	
Fax 603.224.7925	

DATE	DESCRIPTION
4-29-2010	REVISED PER APPROVAL COMMENTS
4-28-2010	REVISED PER APPROVAL COMMENTS
3-22-2010	SUBMITTED FOR APPROVAL

DATE	DESCRIPTION
4-29-2010	REVISED PER APPROVAL COMMENTS
4-28-2010	REVISED PER APPROVAL COMMENTS
3-22-2010	SUBMITTED FOR APPROVAL