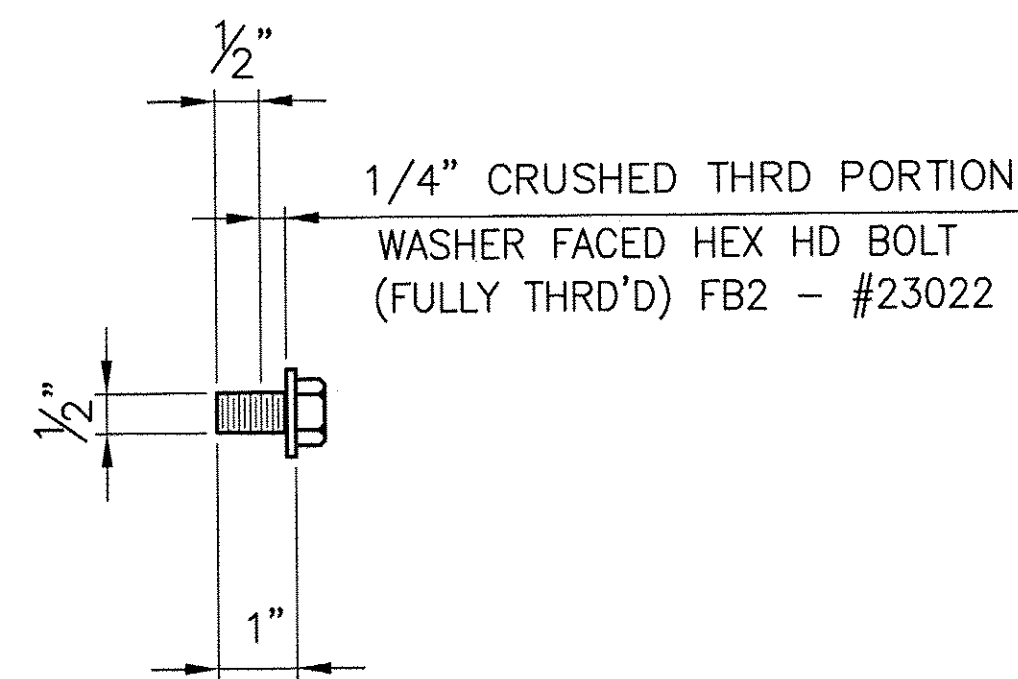
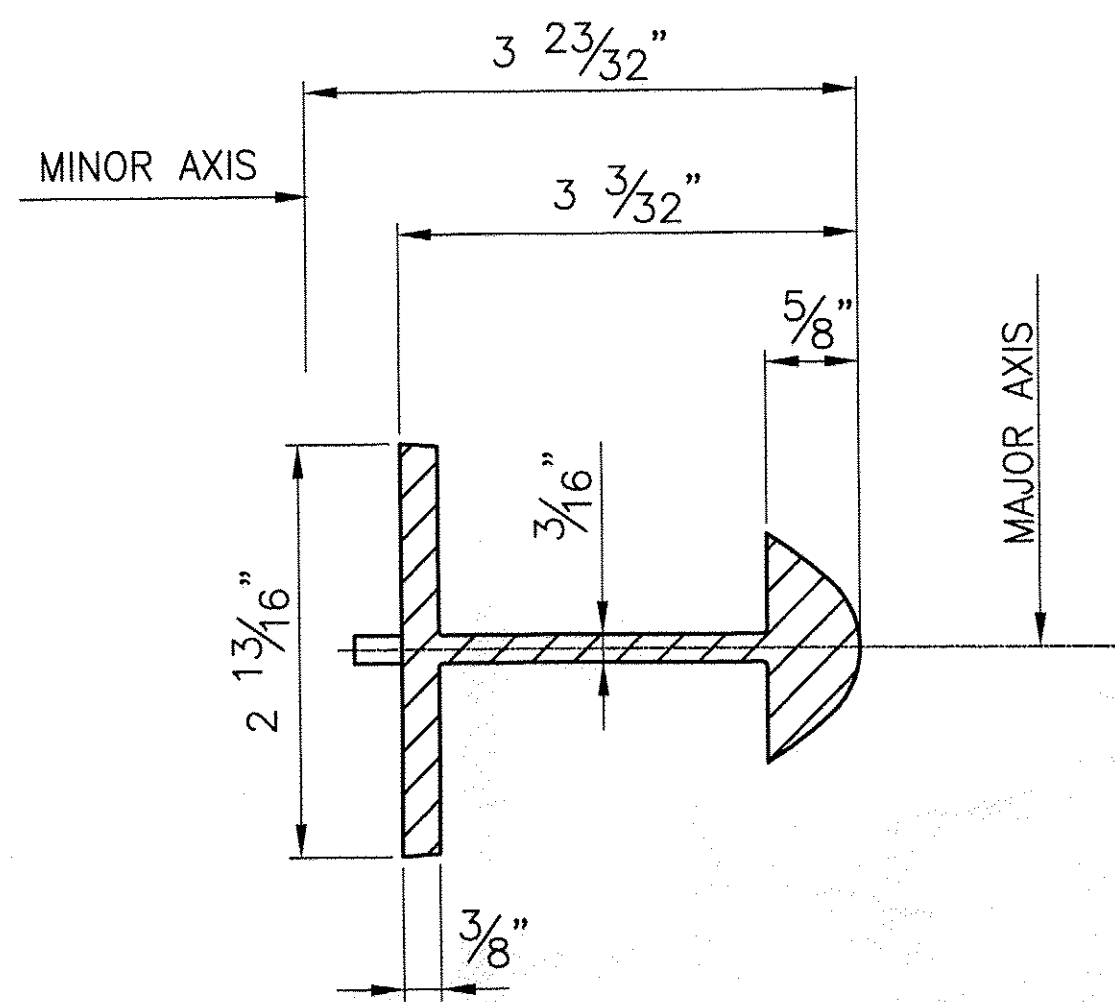


REAR ELEVATION VIEW

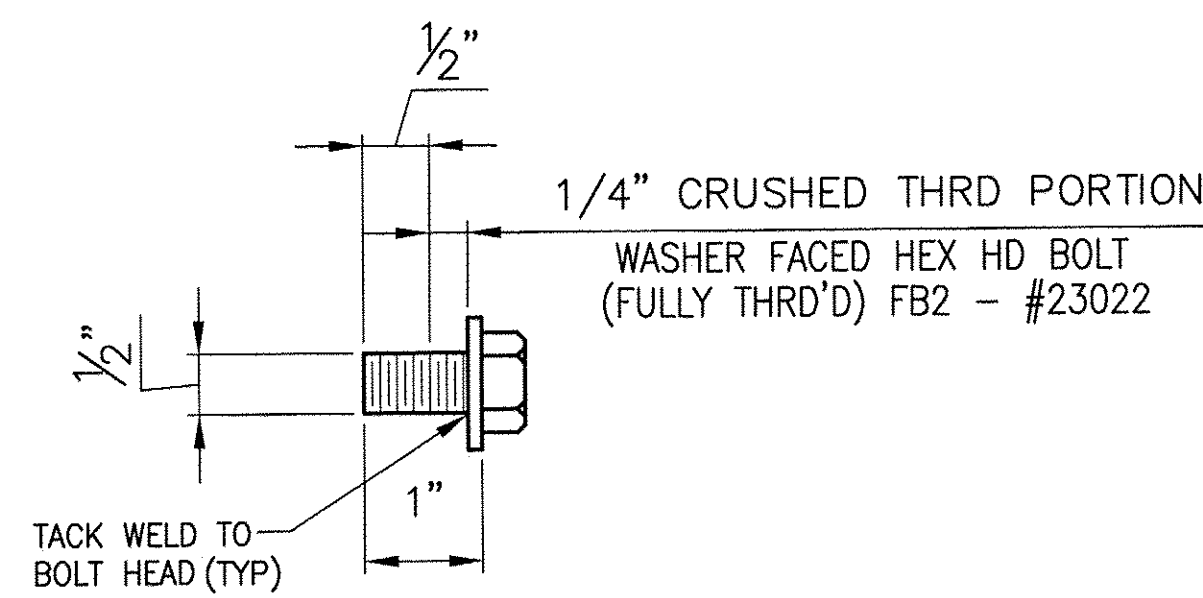
HANDRAIL SPLICES			
MK.	QTY.	OFFSET	BEV
① SS-23-A1	2	9/16"	11/16
① SS-23-A2	2	15/16"	1 1/16



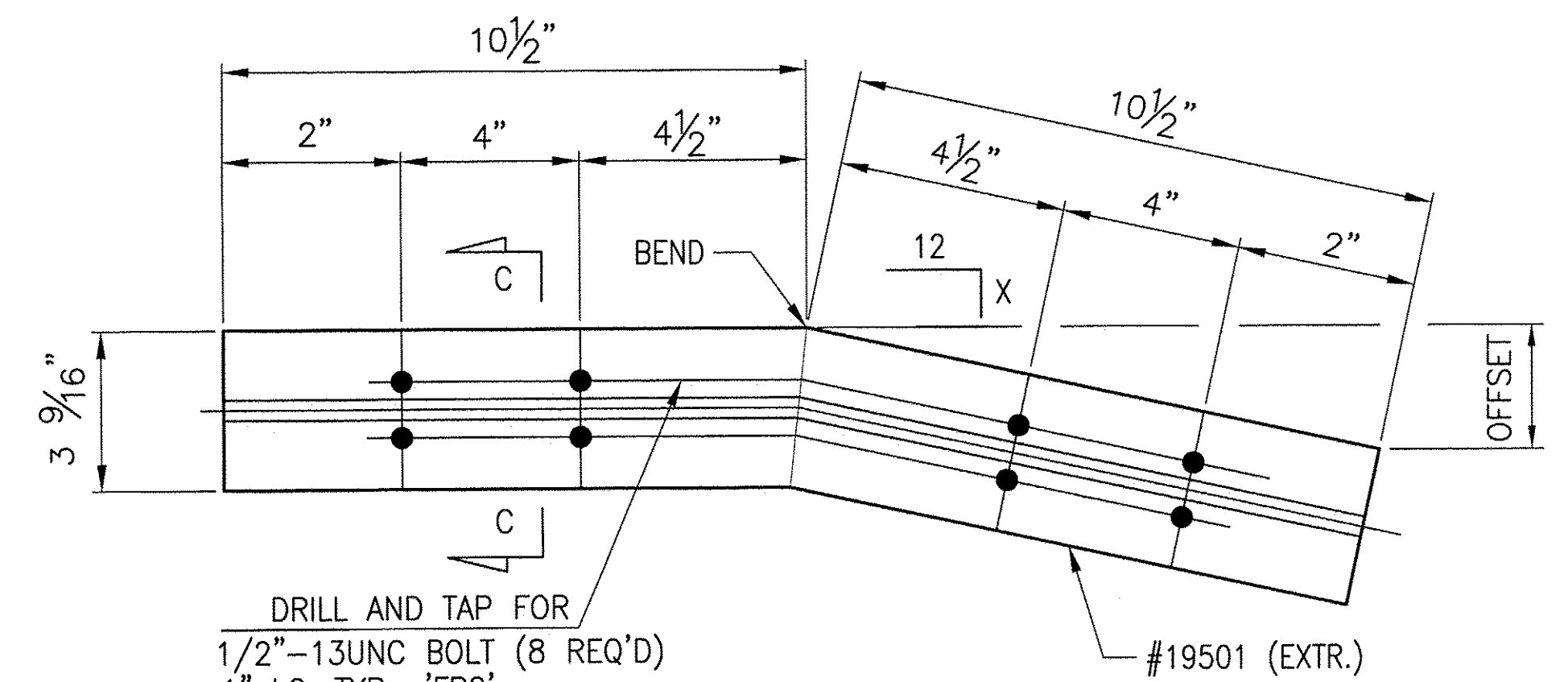
SPLICE BOLT DETAILS



SECTION B-B

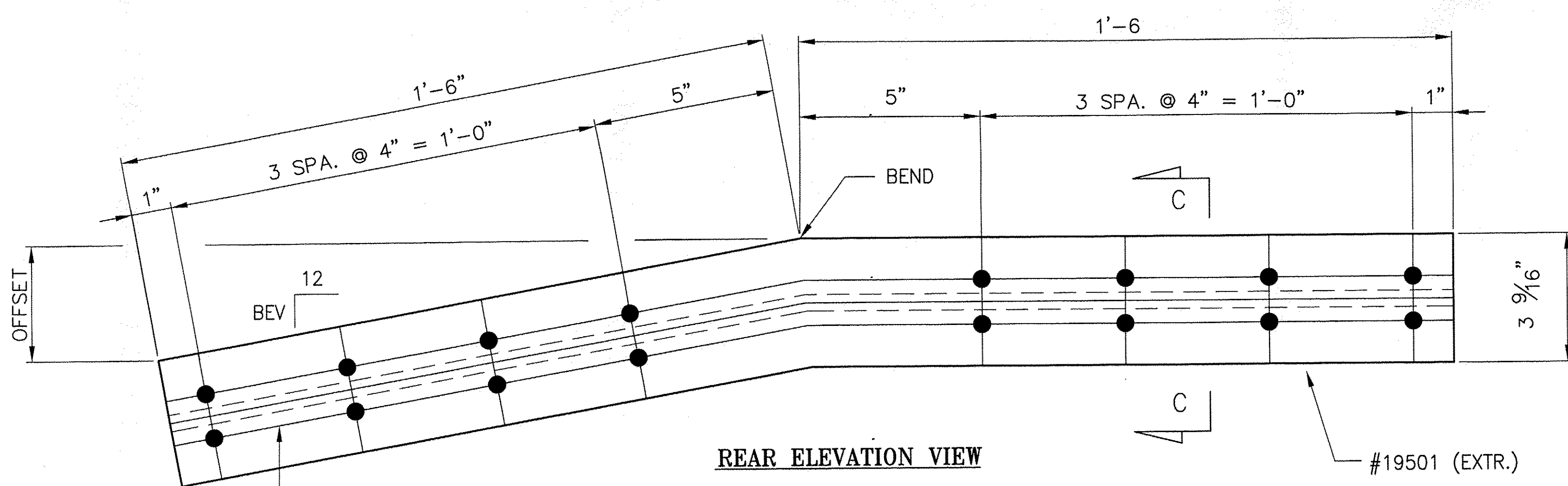


SPLICE BOLT DETAILS



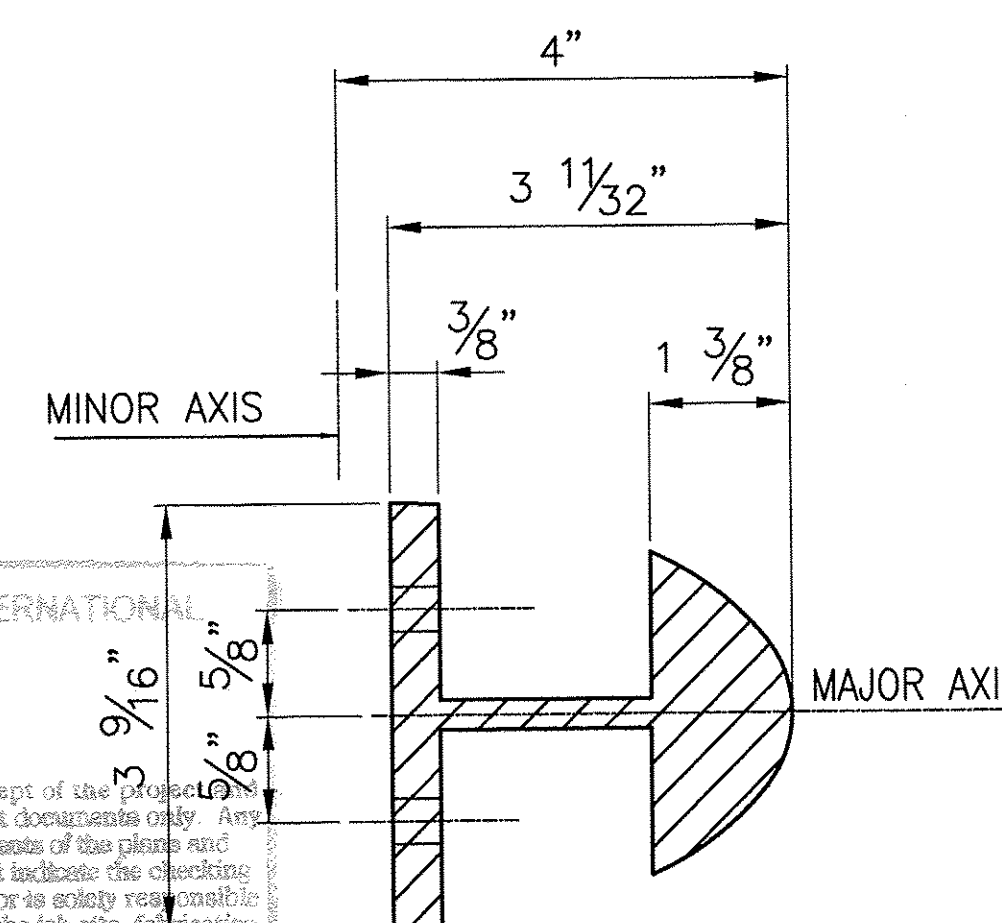
REAR ELEVATION VIEW

BARRIER RAIL SPLICES			
MK.	X	QTY.	OFFSET
① SS-03-H1	1/8	3	1/8
① SS-03-H2	1/16	1	1/16
① SS-03-H3	9/16	2	7/16

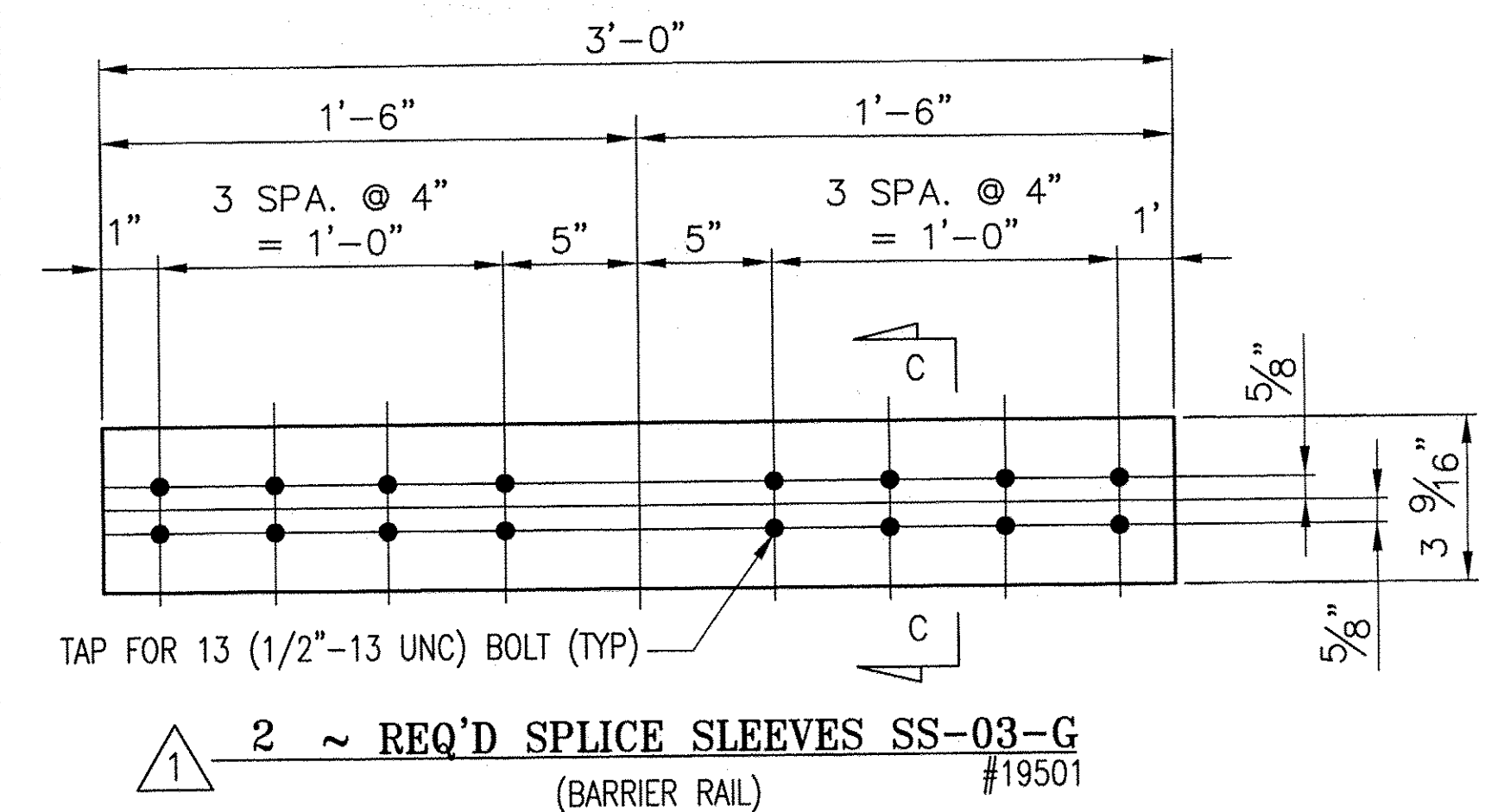


REAR ELEVATION VIEW

BARRIER RAIL SPLICES			
MK.	QTY.	OFFSET	BEV
① SS-03-G1	2	5/16"	1/16
① SS-03-G2	2	9/16"	9/16
① SS-03-G3	2-4	1/16"	1/8



SECTION C-C



2 ~ REQ'D SPLICE SLEEVES SS-03-G (BARRIER RAIL) #19501

ANODIZED
(SEE NOTES ON LB1)

By Inspection
X - Minor Correction as Noted
- Substituted Specified Item
- Revised and Resubmit as Noted
- Rejected
Checking is for general compliance with the design concept of the project and general compliance with the information given in the contract documents only. Any action shown is not an approval and is subject to the requirements of the plans and specifications. Any action shown on a specific item shall not indicate the checking of an assembly of which the item is a component. Contractor is solely responsible for the construction which shall be confirmed and controlled at the job site. The contractor, subcontractors, suppliers, manufacturers and coordination of its work with that of all other trades and the satisfactory performance of its work.
Reviewed By: Shanta Keller Date: 3/31/10
T-Y-LIN INTERNATIONAL

BRIDGE No. 30
PROJECT No. BHF 0283 (9) S ITEM No: 621.745

APPROVED: _____ REC'D APPROVAL _____
DRAWING _____

L.B. FOSTER COMPANY
1016 GREENTREE ROAD
PITTSBURGH, PENNSYLVANIA 15220

FOR: A.D. ROSSI CORPORATION
VERMONT AGENCY OF TRANSPORTATION
TOWN OF BERKSHIRE, COUNTY OF FRANKLIN
3-LINE SEMI-ELLIP. ALUM. APPROACH RAIL FOR VT RTE 118
APPROACH RAIL SPLICE DETAILS

REV.	DESCRIPTION	BY	DATE
①	REVISED PER APPROVER COMMENTS	CMS	03/23/10

MADE _CMS_ DATE 02/18/10 JOB No. AR0624 CUST. No. _____
CHECK_BJW_ DATE 02/25/10 DRAWING LB15 REV. No. ONE