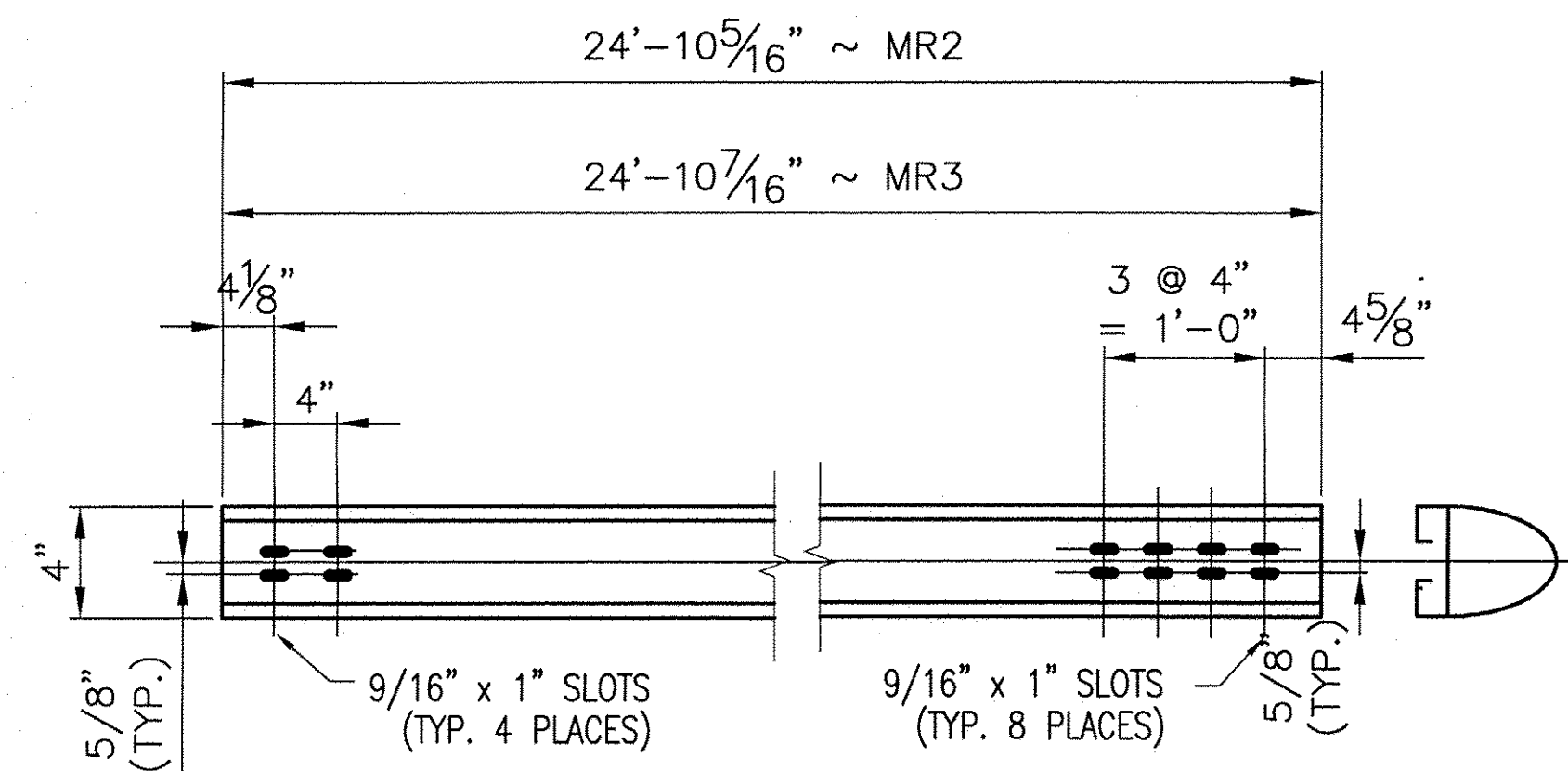


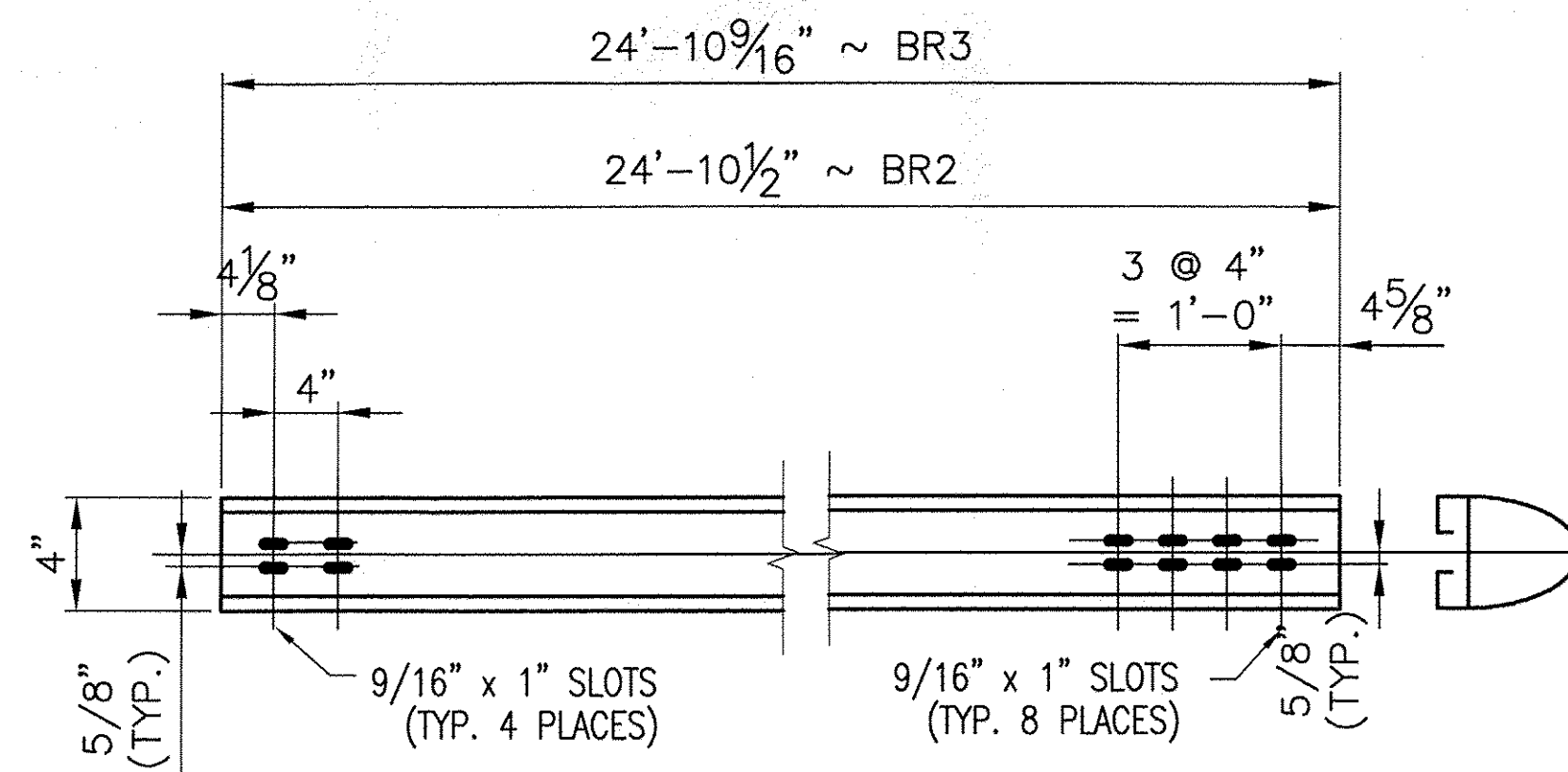
1 **2 REQ'D - HANDRAIL 'TR1'**
(BACK ELEVATION VIEW)

1 **2 REQ'D - HANDRAIL 'TR2'**
(BACK ELEVATION VIEW)



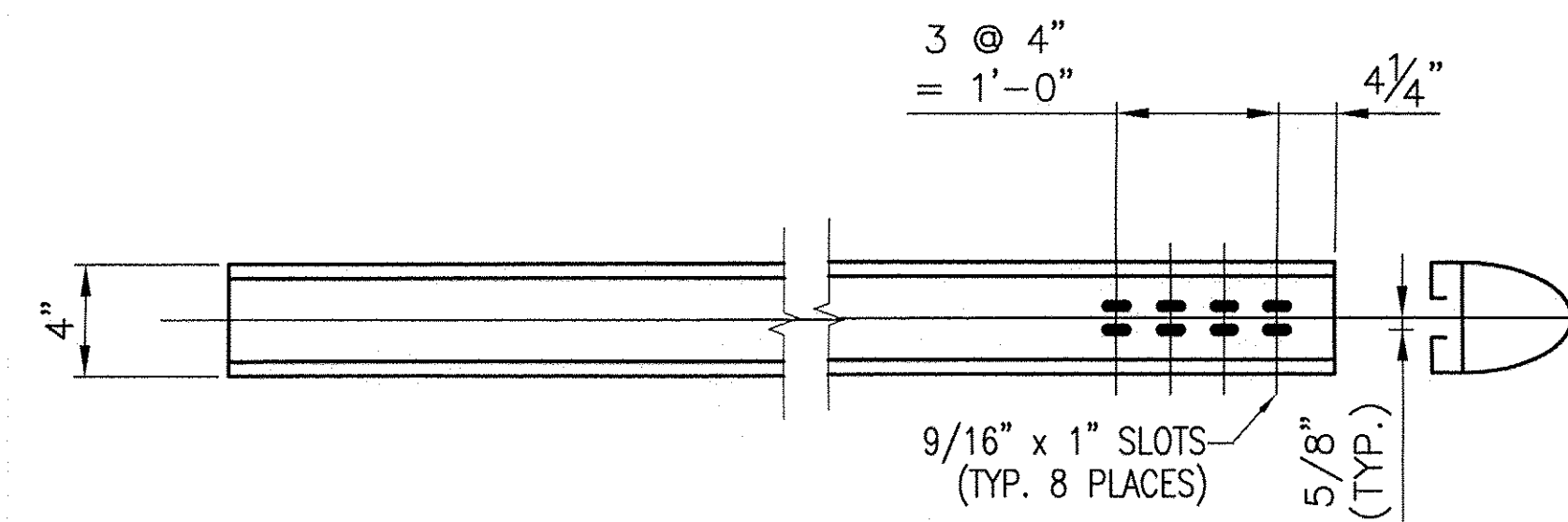
1 **ONE REQ'D. ~ RAIL 'MR2'**
(BACK ELEVATION VIEW)

1 **2 REQ'D. ~ RAIL 'MR3'**
(BACK ELEVATION VIEW)



1 **ONE REQ'D. ~ RAIL 'BR2'**
(BACK ELEVATION VIEW)

1 **2 REQ'D. ~ RAIL 'BR3'**
(BACK ELEVATION VIEW)



1 **ONE REQ'D. ~ BENT RAIL 'MR1'**
(BACK ELEVATION VIEW)(FINISHED LGTH ALONG FF RAIL = 24'-10" + 27'-4" FOR SHOP BENDING)

1 **ONE REQ'D. ~ BENT RAIL 'BR1'**
(BACK ELEVATION VIEW)(FINISHED LGTH ALONG FF RAIL = 24'-10 1/4" + 27'-4 1/4" FOR SHOP BENDING)

ANODIZED
(SEE NOTES ON LB1)

X - See Specification Tables
 - Minus Correction as Noted
 - Substituted Specified Item
 - Deleted and Resubmit as Noted
 - Rejected
 Classification is for general compliance with the design concept of the project and general compliance with the information given in the contract documents only. Any action shown is not an approval and is subject to the requirements of the plans and specifications. Any action shown on a specific item shall not facilitate the checking of an assembly of which the item is a component. Contractor is solely responsible for: dimensions which shall be confirmed and corrected at the job site, fabrication processes, suitability of construction, safety precautions, and coordination of its work with that of all other trades and the satisfactory performance of its work.
 Reviewed By: *Shavita Keller* Date: *3/31/10*

BRIDGE No. 30
 PROJECT No. BHF 0283 (9) S ITEM No: 621.745

APPROVED: _____ REC'D APPROVAL _____
 DRAWING _____

L.B. FOSTER COMPANY
 1016 GREENTREE ROAD
 PITTSBURGH, PENNSYLVANIA 15220

FOR: A.D. ROSSI CORPORATION
 VERMONT AGENCY OF TRANSPORTATION
 TOWN OF BERKSHIRE, COUNTY OF FRANKLIN
 3-LINE SEMI-ELLIP. ALUM. APPROACH RAIL FOR VT RTE 118
 APPROACH RAIL DETAILS

1	REVISED PER APPROVAL MARKUP	CMS	03 23 10
REV.	DESCRIPTION	BY	DATE

MADE CMS DATE 02/18/10 JOB No. AR0624 CUST. No. _____
 CHECK BLJ DATE 02/25/10 DRAWING LB14 REV. No. ONE