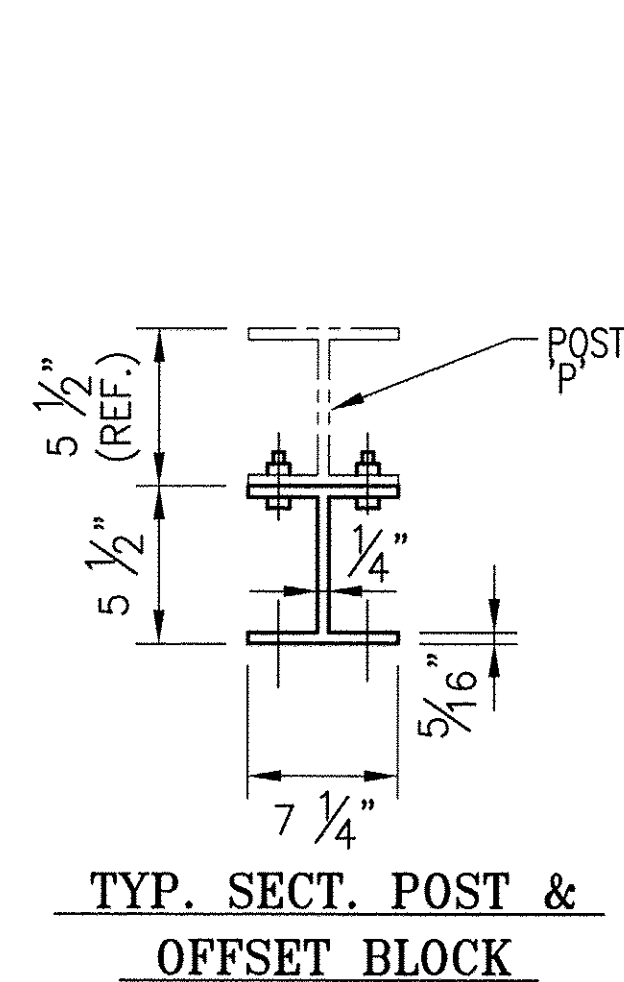
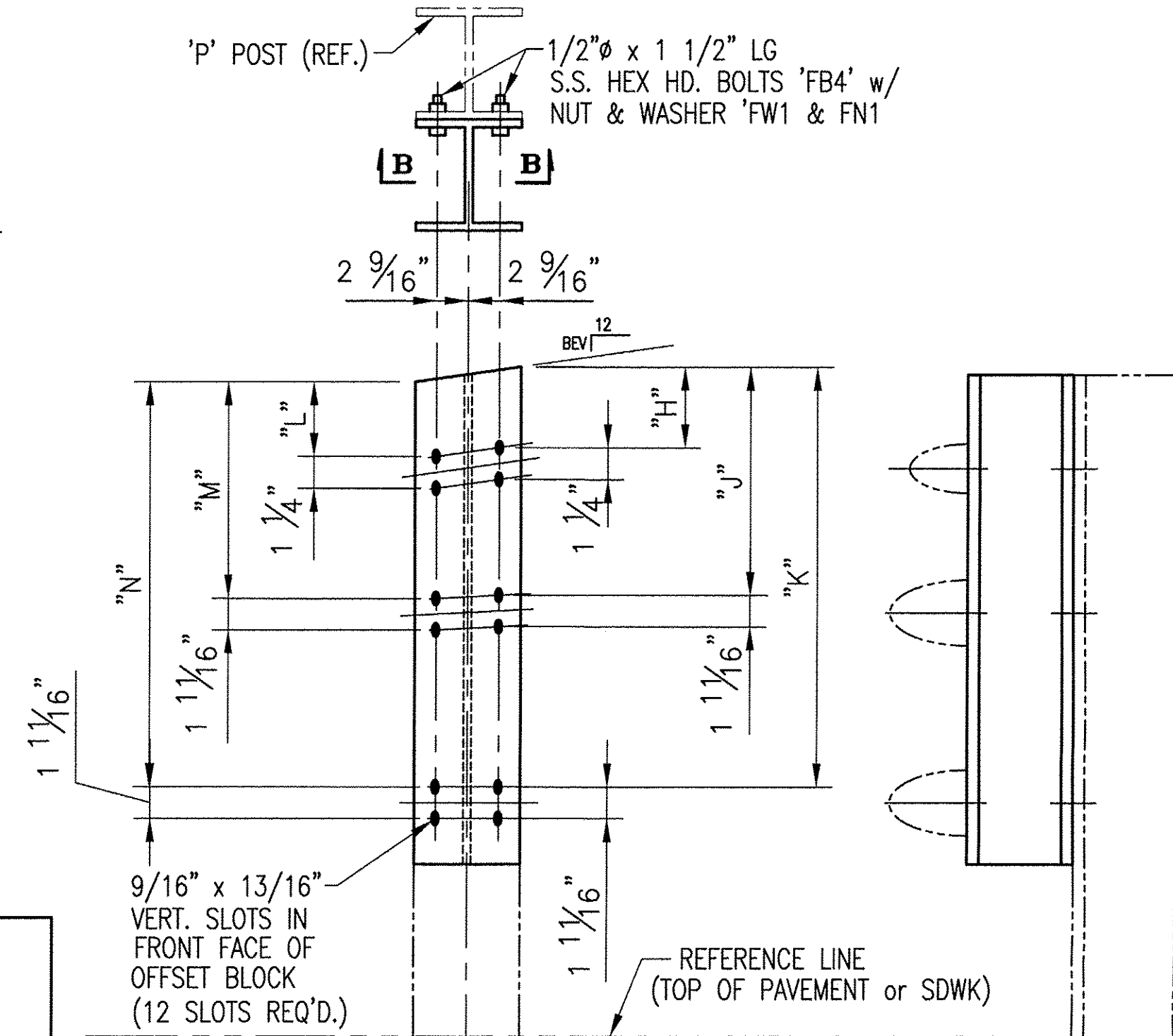


△ OFFSET BLOCK DETAIL CHART FOR NW & SE APPROACHES

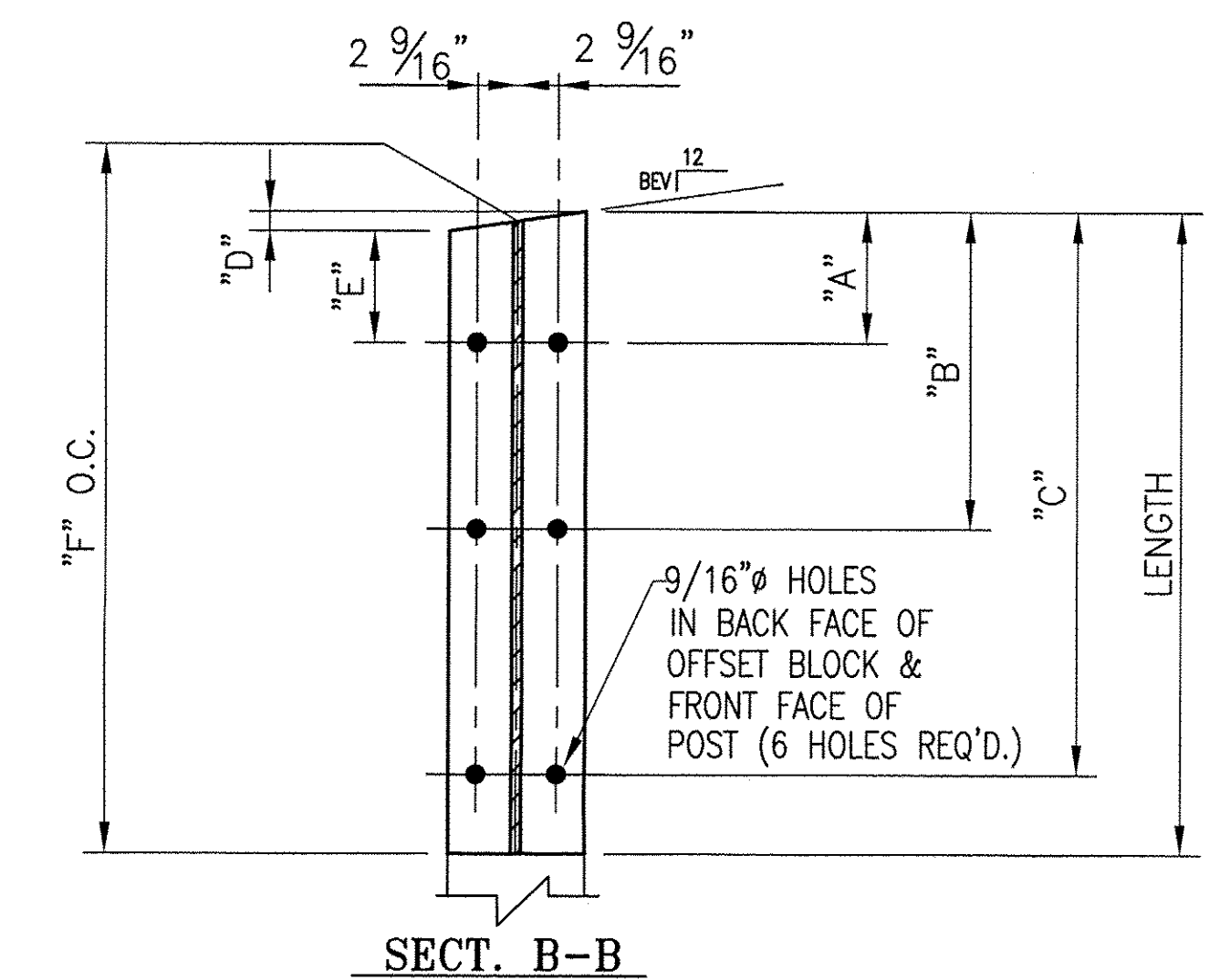
		OFFSET BLOCK MTG. DIMENSIONS							BEV
POST No.	QTY.	A	B	C	D	E	F (O.C.)	LGTH	X
P1	1	1 7/8"	1'-1 3/8"	2'-6 9/16"	5/8"	1 1/4"	2'-9 3/16"	2'-9 9/16"	1 1/16
P2	1	1 7/8"	11 11/16"	2'-3 9/16"	5/8"	1 1/4"	2'-6 1/4"	2'-6 9/16"	1 1/16
P3	1	1 7/8"	10"	2'-0 9/16"	5/8"	1 1/4"	2'-3 1/4"	2'-3 9/16"	1 1/16
P4	1	1 7/8"	8 5/16"	1'-9 5/8"	5/8"	1 1/4"	2'-0 5/16"	2'-0 5/8"	1 1/16
P22	1	1 3/4"	1'-1 1/4"	2'-1 13/16"	7/16"	1 3/8"	2'-4 9/16"	2'-4 13/16"	11/16
P23	1	1 3/4"	11 9/16"	1'-11 7/16"	7/16"	1 3/8"	2'-2 1/4"	2'-2 7/16"	11/16
P24	1	1 3/4"	9 7/8"	1'-9 1/16"	7/16"	1 3/8"	1'-11 7/8"	2'-0 1/16"	11/16
P25	1	1 3/4"	8 3/16"	1'-6 3/4"	7/16"	1 3/8"	1'-9 9/16"	1'-9 3/4"	11/16



TYP. SECT. POST & OFFSET BLOCK



FRT ELEV VIEW ~ OB1-OB4, OB22-OB25



SECT. B-B

△ OFFSET BLOCK ~ RAIL MTG. DIMENSIONS

POST No.	OFFSET BLOCK	H	J	K	L	M	N
P1	OB1	1 1/16"	1'-0 3/8"	2'-5 11/16"	7/8"	1'-0"	2'-5 1/16"
P2	OB2	1 1/16"	10 11/16"	2'-2 11/16"	7/8"	10 5/16"	2'-2 1/8"
P3	OB3	1 1/16"	9 1/16"	1'-11 11/16"	7/8"	8 5/8"	1'-11 1/8"
P4	OB4	1 1/16"	7 3/8"	1'-8 3/4"	7/8"	6 15/16"	1'-8 1/8"
P22	OB22	1"	1'-0 3/8"	2'-1"	7/8"	1'-0"	2'-0 1/2"
P23	OB23	1"	10 11/16"	1'-10 5/8"	7/8"	10 5/16"	1'-10 3/16"
P24	OB24	1"	9"	1'-8 1/4"	7/8"	8 5/8"	1'-7 13/16"
P25	OB25	1"	7 5/16"	1'-5 15/16"	7/8"	7"	1'-5 7/16"

NOTE:
 2 CLAMPING BARS CB-01-H (#28596) PER POSTS P1-P4, P22-P25
 4 CLAMPING BARS CB-03-A (#19447) PER POSTS P1-P4, P22-P25
 w/ 1/2"φ-13 UNC S.S. BOLT x 1" LG. 'FB1', 1 1/16" O.D. x 17/32" I.D. x 3/32" THK. ALUM WASHER 'FW1' (#15280 & # 19404) (16 PER POST)

△ OFFSET BLOCK DETAIL CHART FOR NW & SE APPROACHES

		OFFSET BLOCK MTG. DIMENSIONS						BEV
POST No.	QTY.	A	B	LGTH	D	E	F (O.C.)	X
P5	1	2 3/16"	1'-1 11/16"	1'-4 11/16"	5/16"	1 13/16"	1'-4 9/16"	9/16
P6	1	2 3/16"	1'-0"	1'-3"	5/16"	1 13/16"	1'-2 13/16"	9/16
P7	1	2 3/16"	10 1/4"	1'-1 1/4"	5/16"	1 13/16"	1'-1 1/16"	9/16
P26	1	2"	11 11/16"	1'-2 11/16"	1/16"	1 15/16"	1'-2 5/8"	1/8
P27	1	2"	10 3/4"	1'-1 3/4"	1/16"	1 15/16"	1'-1 3/4"	1/8
P28	1	2"	9 7/8"	1'-0 7/8"	1/16"	1 15/16"	1'-0 13/16"	1/8

△ OFFSET BLOCK ~ RAIL MTG. DIMENSIONS

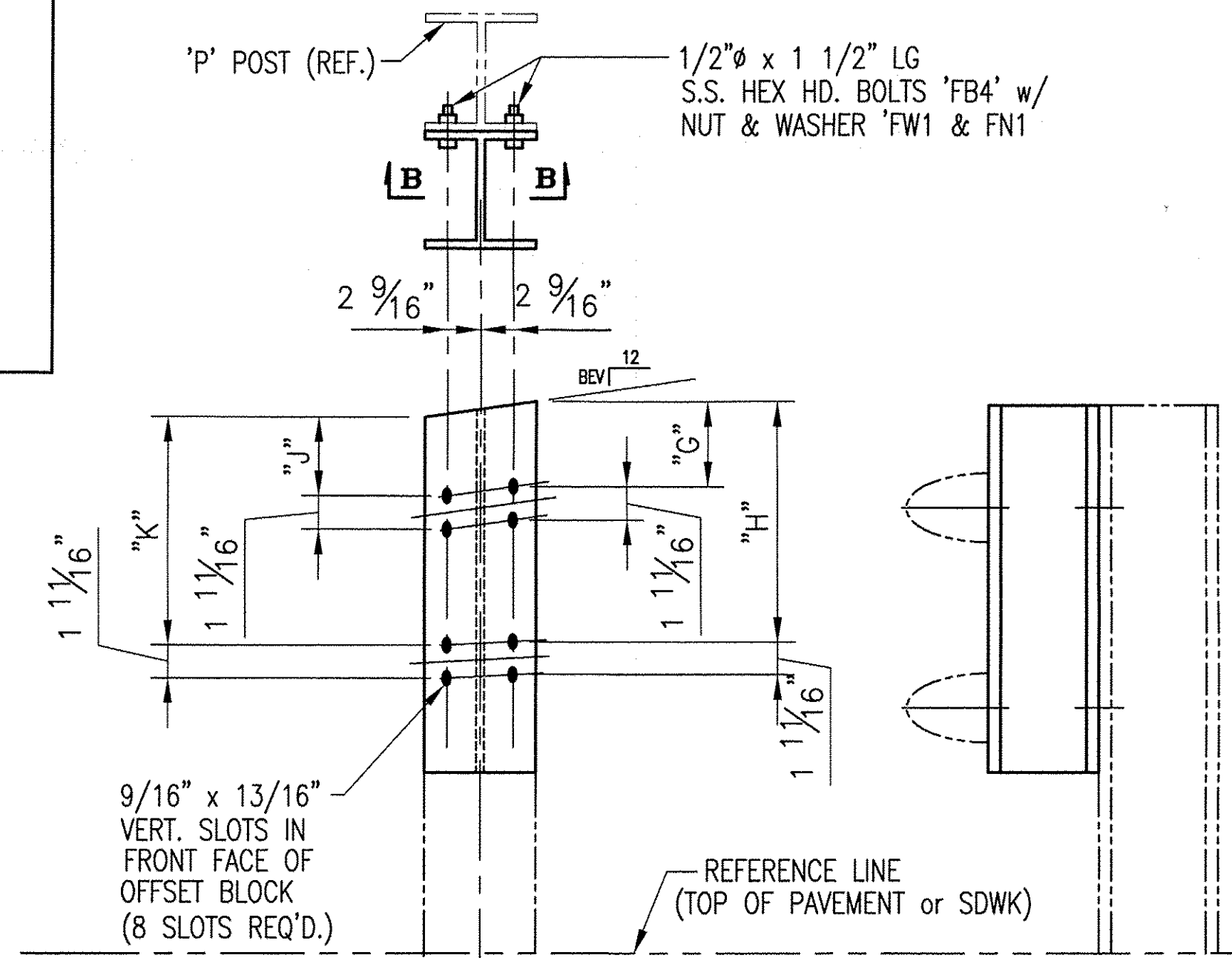
POST No.	OFFSET BLOCK	G	H	J	K
P5	OB5	1 3/16"	1'-0 7/8"	1 1/8"	1'-0 9/16"
P6	OB6	1 3/16"	11 1/8"	1 1/8"	10 13/16"
P7	OB7	1 3/16"	9 3/8"	1 1/8"	9 1/8"
P26	OB26	1 3/16"	10 13/16"	1 1/8"	10 3/4"
P27	OB27	1 3/16"	9 15/16"	1 1/8"	9 13/16"
P28	OB28	1 3/16"	9"	1 1/8"	8 15/16"

X: No Description Taken
 ---: Make Correction as Noted
 ---: Substit Specified Item
 ---: Revise and Resubmit as Noted
 ---: Rejected

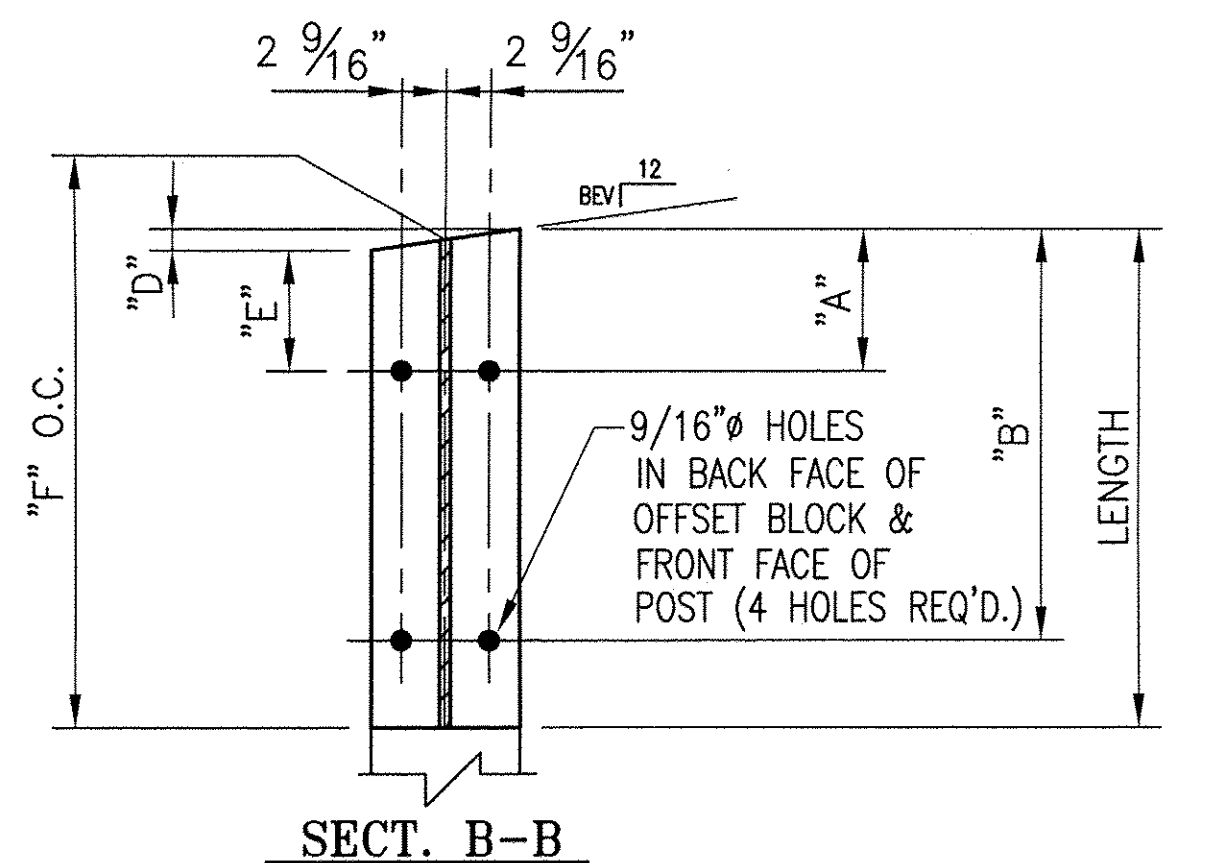
Checked for general compliance with the design concept of the project and general compliance with the information given in the contract documents only. Any action taken is not an approval and is subject to the requirements of the plans and specifications. Any action shown on a specific item shall not indicate the checking of an assembly of which the item is a component. Contractor is solely responsible for dimensions which shall be confirmed and corrected at the job site, fabrication processes, techniques of construction, safety precautions, and coordination of the work with that of all other trades and the satisfactory performance of the work.

Reviewed By: Shanta Keller Date: 3/31/10

NOTE:
 4 CLAMPING BARS CB-03-A (#19447) PER POSTS P5-P7, P26-P28
 w/ 1/2"φ-13 UNC S.S. BOLT x 1" LG. 'FB1', 1 1/16" O.D. x 17/32" I.D. x 3/32" THK. ALUM WASHER 'FW1' (#15280 & # 19404) (8 PER POST)



FRT ELEV VIEW ~ OB5-OB7, OB26-OB28



SECT. B-B

ANODIZED
 (SEE NOTES ON LB1)

BRIDGE No. 30
 PROJECT No. BHF 0283 (9) S
 ITEM No: 621.745

APPROVED: _____ REC'D APPROVAL _____
 DRAWING

L.B. FOSTER COMPANY
 1016 GREENTREE ROAD
 PITTSBURGH, PENNSYLVANIA 15220

FOR: A.D. ROSSI CORPORATION
 VERMONT AGENCY OF TRANSPORTATION
 TOWN OF BERKSHIRE, COUNTY OF FRANKLIN
 3-LINE SEMI-ELLIP. ALUM. APPROACH RAIL FOR VT RTE 118
 OFFSET BLOCK DETAILS

△	REVISED DIMENSIONS PER APPROVERS MARKUPS	CMS	03 23 10
REV.	DESCRIPTION	BY	DATE

MADE CMS DATE 02/18/10 JOB No. AR0624 CUST. No.
 CHECK BLJ DATE 02/25/10 DRAWING LB12 REV. No. ONE