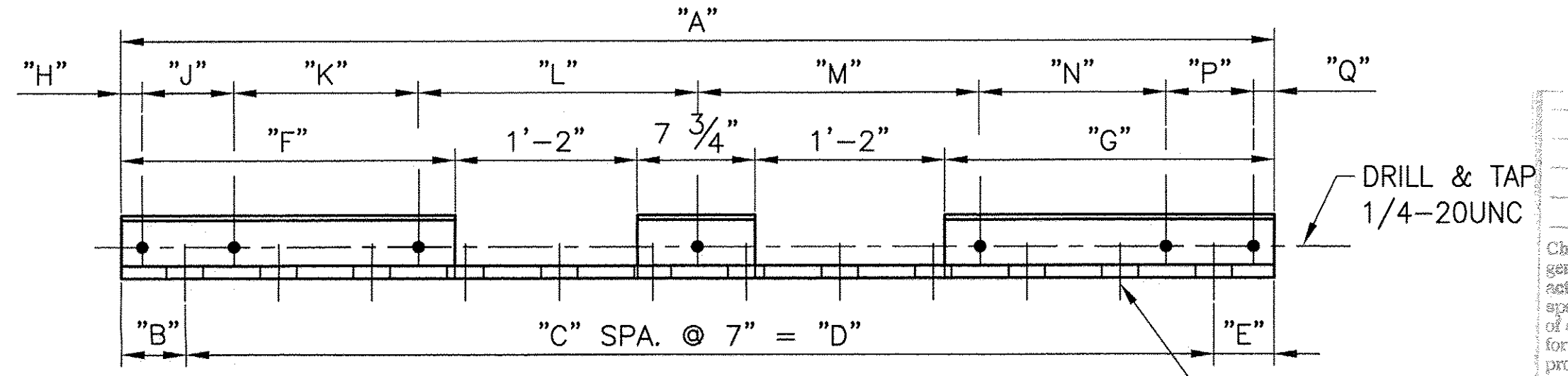
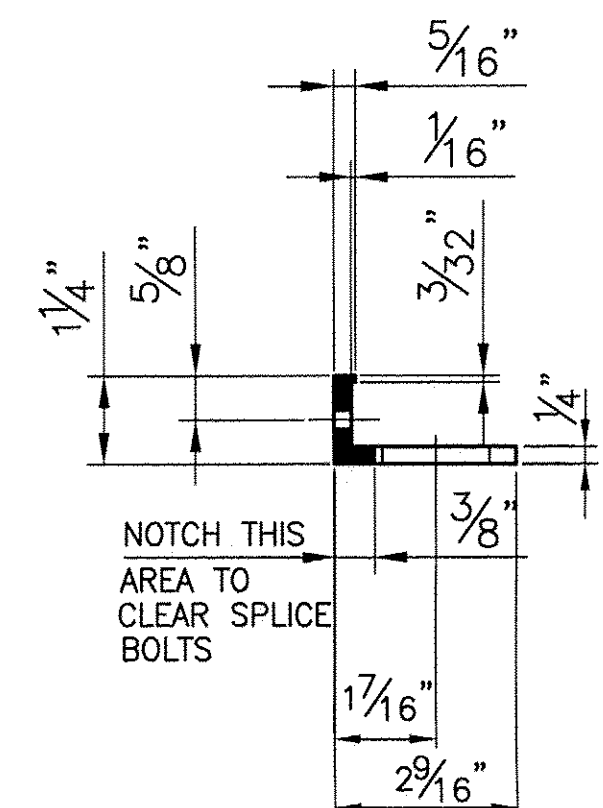
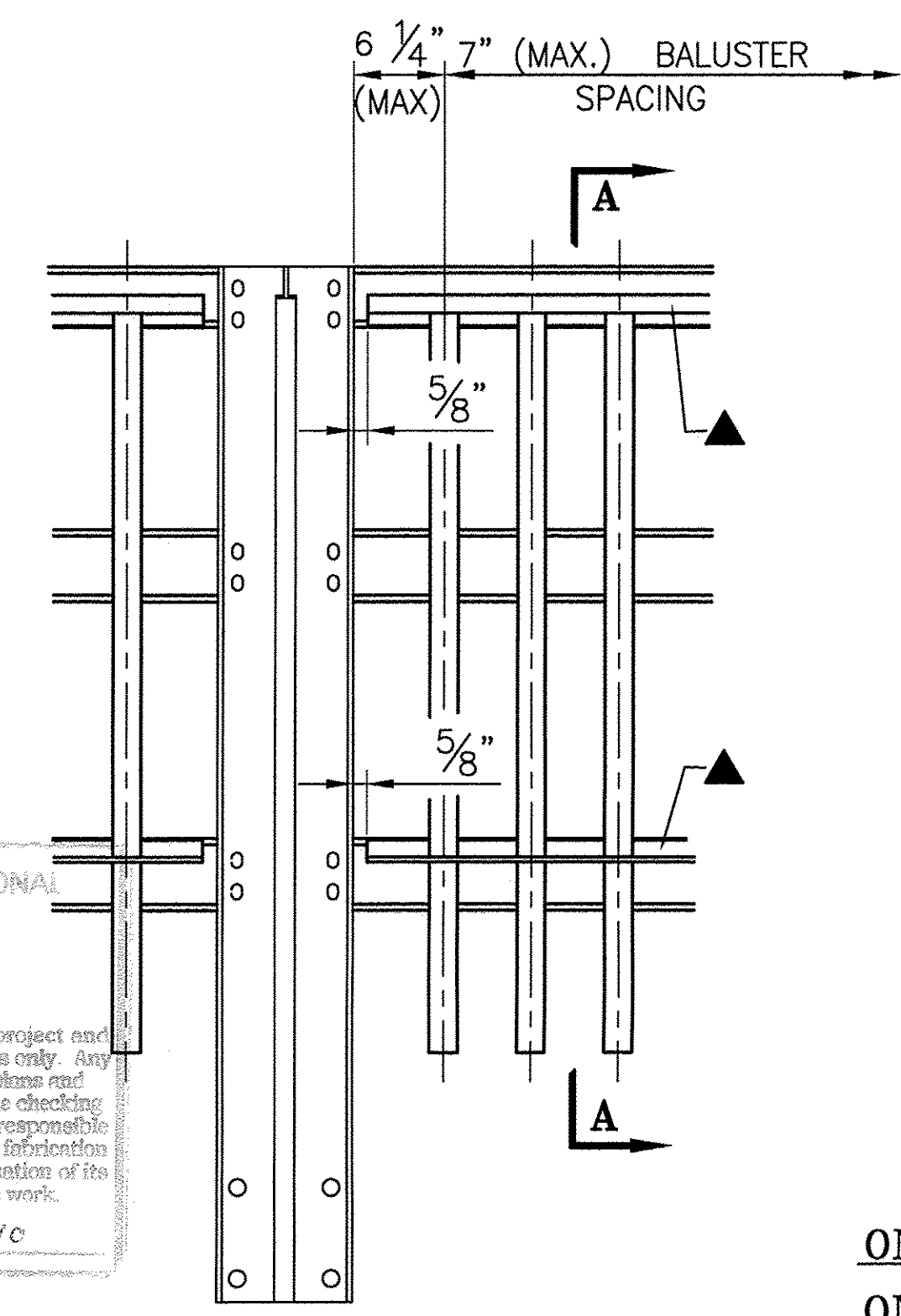


TOP BALUSTER BARS (REAR VIEW) ~ tb
(SEE CHART FOR DIMS) #19470



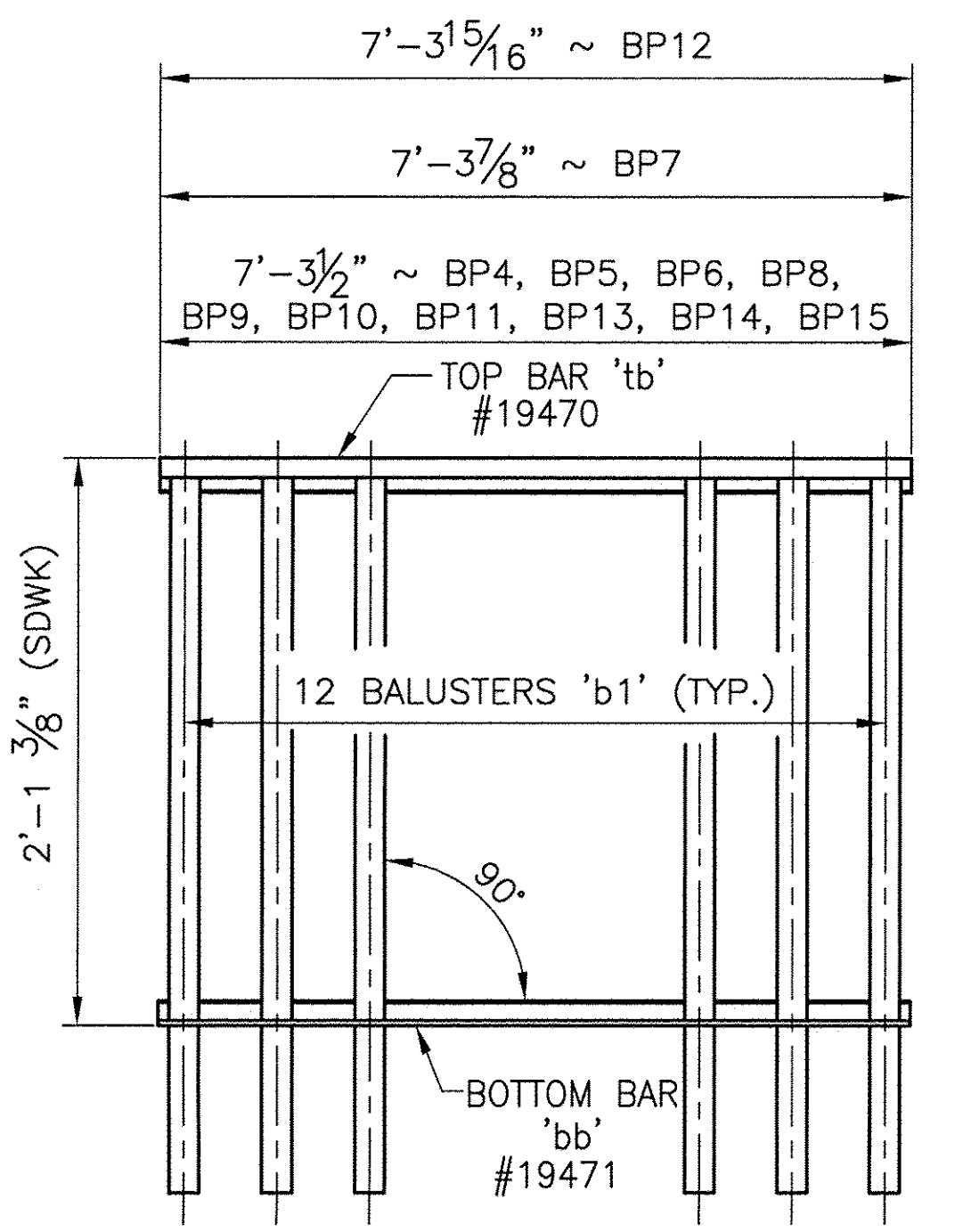
BOTTOM BALUSTER BARS (REAR VIEW) ~ bb
(SEE CHART FOR DIMS) #19471

T-Y-LIN INTERNATIONAL
 X No Exception Taken
 Make Correction as Noted
 Submit Specified Item
 Reverse and Resubmit as Noted
 Rejected
 Checking is for general compliance with the design concept of the project and general compliance with the information given in the contract documents only. Any action shown on a specific item shall not indicate the checking of an assembly of which the item is a component. Contractor is solely responsible for dimensions which shall be confirmed and correlated at the job site, fabrication processes, techniques of construction, safety precautions and coordination of the work with that of all other trades and the satisfactory performance of the work.
 Reviewed By: Shanta Keller Date: 3/31/10



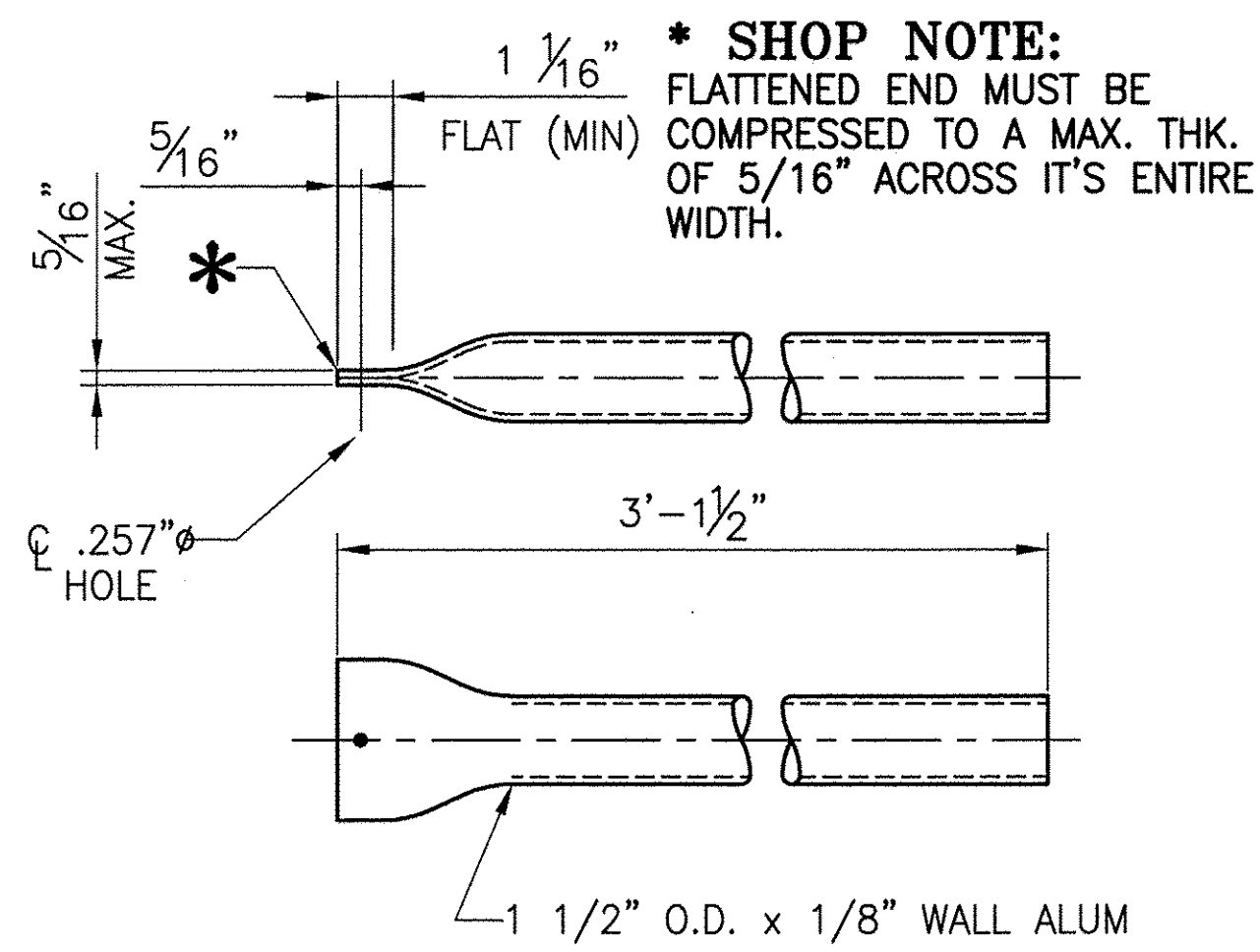
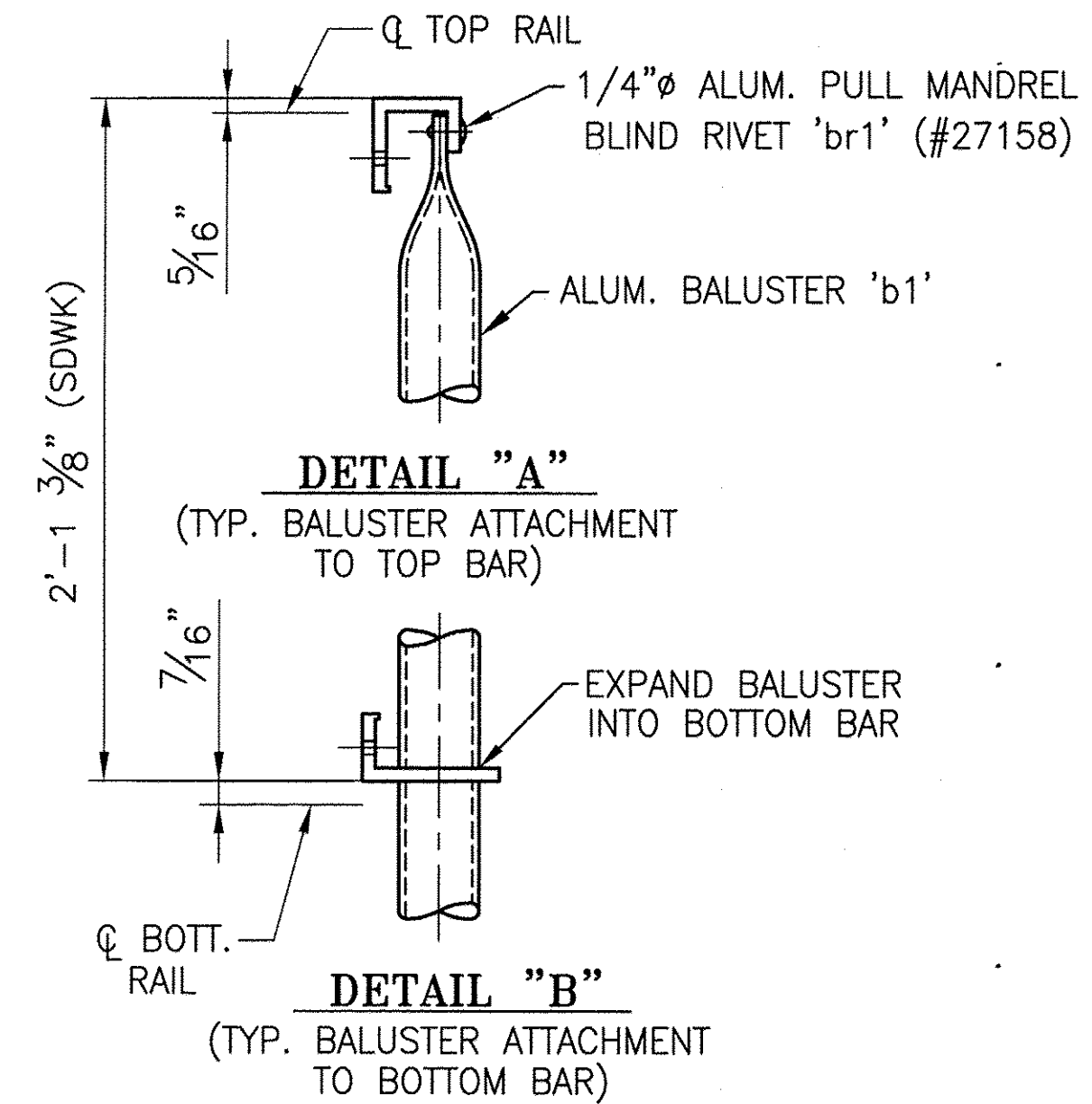
TYPICAL ELEVATION

▲ 1/4"-20UNC S.S. SOCKET SET SCREW x 1/2" - 'SS1' (#22079) EVERY OTHER SPACE BETWEEN BALUSTERS IF POSSIBLE

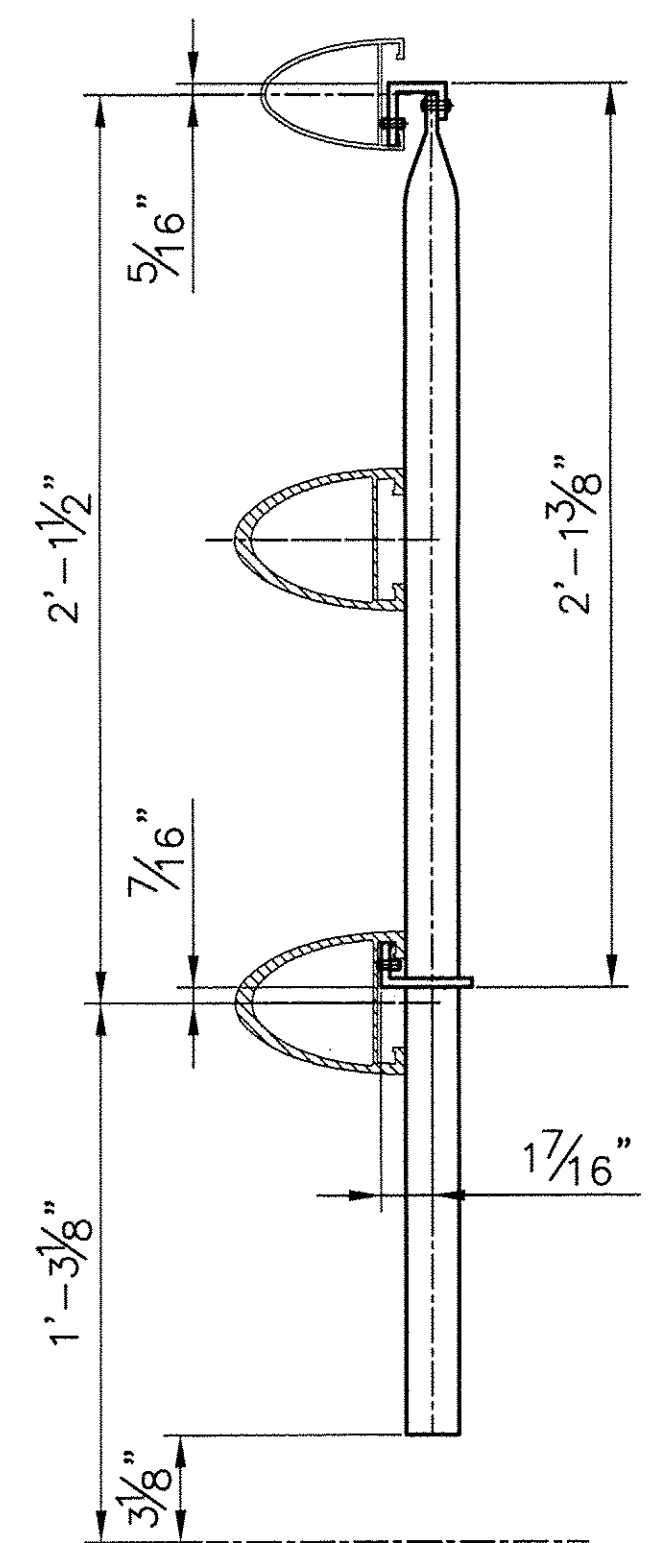


- ONE REQ'D. ~ BALUSTER PANEL ASSEMBLY 'BP4'
- ONE REQ'D. ~ BALUSTER PANEL ASSEMBLY 'BP5'
- ONE REQ'D. ~ BALUSTER PANEL ASSEMBLY 'BP6'
- ONE REQ'D. ~ BALUSTER PANEL ASSEMBLY 'BP7'
- ONE REQ'D. ~ BALUSTER PANEL ASSEMBLY 'BP8'
- ONE REQ'D. ~ BALUSTER PANEL ASSEMBLY 'BP9'
- ONE REQ'D. ~ BALUSTER PANEL ASSEMBLY 'BP10'
- ONE REQ'D. ~ BALUSTER PANEL ASSEMBLY 'BP11'
- ONE REQ'D. ~ BALUSTER PANEL ASSEMBLY 'BP12'
- ONE REQ'D. ~ BALUSTER PANEL ASSEMBLY 'BP13'
- ONE REQ'D. ~ BALUSTER PANEL ASSEMBLY 'BP14'
- ONE REQ'D. ~ BALUSTER PANEL ASSEMBLY 'BP15'

MARK	QTY	"A"	"B"	"C"	"D"	"E"	"F"	"G"	"H"	"J"	"K"	"L"	"M"	"N"	"P"	"Q"	PANEL ASSY.
tb4 bb4	1	7'-3 1/2"	5 1/4"	11	6'-5"	5 1/4"	1'-10 11/16"	2'-5 1/16"	2 1/4"	1'-1 1/2"	-	2'-3"	1'-10"	1'-2"	6 1/2"	2 1/4"	BP4
tb5 bb5	1	7'-3 1/2"	5 1/4"	11	6'-5"	5 1/4"	1'-11 3/8"	2'-4 3/8"	2 1/4"	6 1/2"	1'-2"	1'-9"	1'-9"	1'-2"	6 1/2"	2 1/4"	BP5
tb6 bb6	1	7'-3 1/2"	5 1/4"	11	6'-5"	5 1/4"	2'-0 1/8"	2'-3 5/8"	2 1/4"	6 1/2"	1'-2"	1'-9"	1'-9"	1'-2"	6 1/2"	2 1/4"	BP6
tb7 bb7	1	7'-3 7/8"	5 7/16"	11	6'-5"	5 7/16"	2'-0 15/16"	2'-3 3/16"	2 1/4"	6 3/4"	1'-2"	1'-9"	1'-9"	1'-2"	6 5/8"	2 1/4"	BP7
tb8 bb8	1	7'-3 1/2"	5 1/4"	11	6'-5"	5 1/4"	2'-1 1/4"	2'-2 1/2"	2 1/4"	6 1/2"	1'-2"	1'-9"	1'-9"	1'-2"	6 1/2"	2 1/4"	BP8
tb9 bb9	1	7'-3 1/2"	5 1/4"	11	6'-5"	5 1/4"	2'-2"	2'-1 3/4"	2 1/4"	6 1/2"	1'-2"	1'-8"	1'-10"	1'-2"	6 1/2"	2 1/4"	BP9
tb10 bb10	1	7'-3 1/2"	5 1/4"	11	6'-5"	5 1/4"	2'-1 13/16"	2'-1 15/16"	2 1/4"	6 1/2"	1'-2"	1'-10"	1'-8"	1'-2"	6 1/2"	2 1/4"	BP10
tb11 bb11	1	7'-3 1/2"	5 1/4"	11	6'-5"	5 1/4"	2'-2 7/16"	2'-1 5/16"	2 1/4"	6 1/2"	1'-2"	1'-8"	1'-10"	1'-2"	6 1/2"	2 1/4"	BP11
tb12 bb12	1	7'-3 15/16"	5 7/16"	11	6'-5"	5 1/2"	2'-3 5/16"	2'-0 7/8"	2 1/4"	6 11/16"	1'-2"	1'-9"	1'-9"	1'-2"	6 3/4"	2 1/4"	BP12
tb13 bb13	1	7'-3 1/2"	5 1/4"	11	6'-5"	5 1/4"	2'-3 5/8"	2'-0 1/8"	2 1/4"	6 1/2"	1'-2"	1'-9"	1'-9"	1'-2"	6 1/2"	2 1/4"	BP13
tb14 bb14	1	7'-3 1/2"	5 1/4"	11	6'-5"	5 1/4"	2'-4 3/8"	1'-11 3/8"	2 1/4"	6 1/2"	1'-2"	1'-9"	1'-9"	1'-2"	6 1/2"	2 1/4"	BP14
tb15 bb15	1	7'-3 1/2"	5 1/4"	11	6'-5"	5 1/4"	2'-5 1/8"	1'-10 5/8"	2 1/4"	6 1/2"	1'-2"	1'-10"	2'-3"	-	1'-1 1/2"	2 1/4"	BP15



144 ~ REQ'D BALUSTERS 'b1'
#19451



ANODIZED
(SEE LB1 FOR NOTES)

BRIDGE No. 30
PROJECT No. BHF 0283 (9) S
ITEM No: 525.235

APPROVED: _____ REC'D APPROVAL _____
DRAWING _____

L.B. FOSTER COMPANY
1016 GREENTREE ROAD
PITTSBURGH, PENNSYLVANIA 15220

FOR: A.D. ROSSI CORPORATION
VERMONT AGENCY OF TRANSPORTATION
TOWN OF BERKSHIRE, COUNTY OF FRANKLIN
3-LINE SEMI-ELLIP. ALUM. BRIDGE RAIL FOR VT RTE 118
ALUM BRIDGE RAILING ~ BALUSTER PANEL DETAILS

MADE CMS DATE 02/16/10 JOB No. AR0624 CUST. No.
CHECK BLJ DATE 02/25/10 DRAWING LB7 REV. No.

REV.	DESCRIPTION	BY	DATE