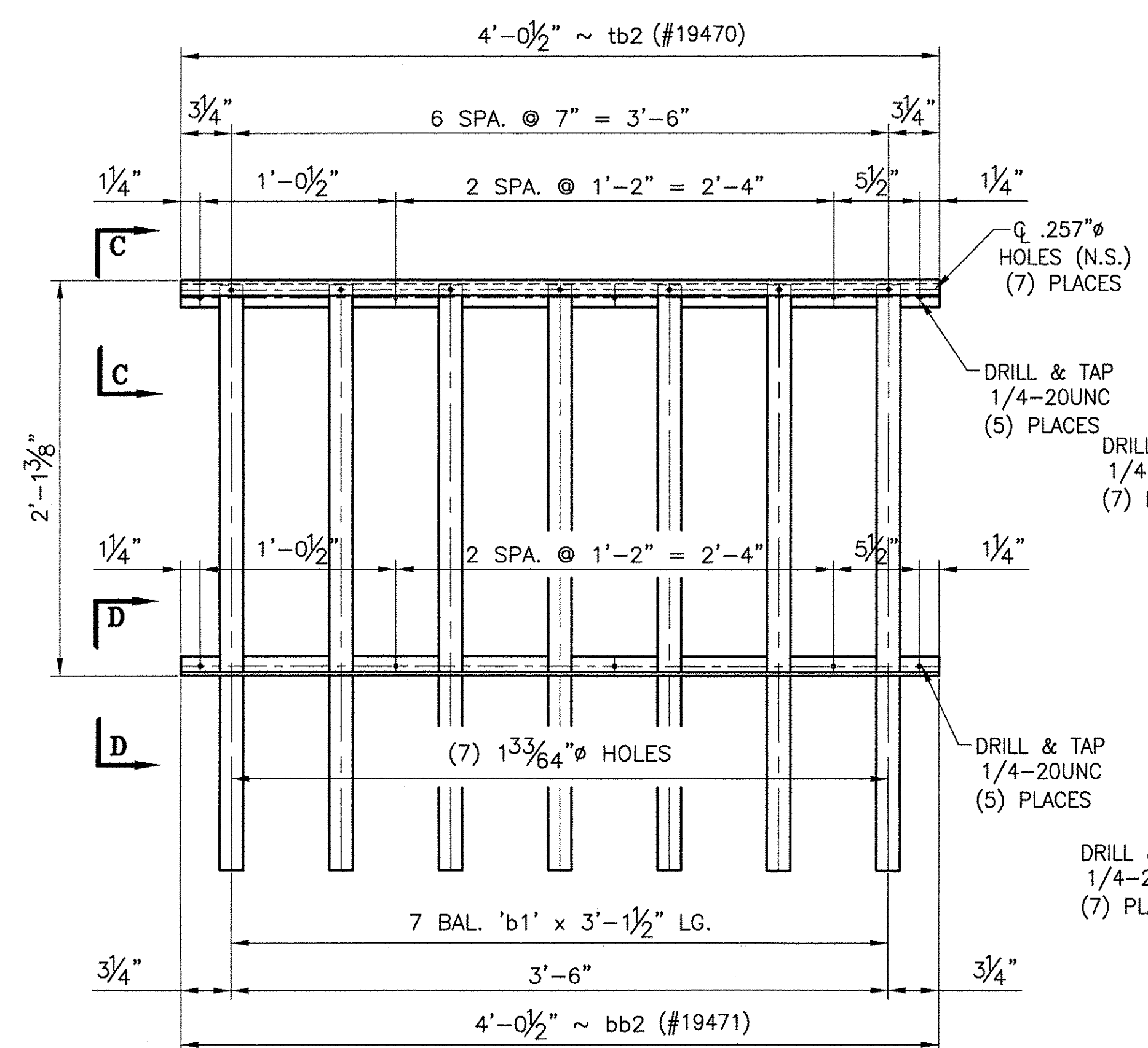
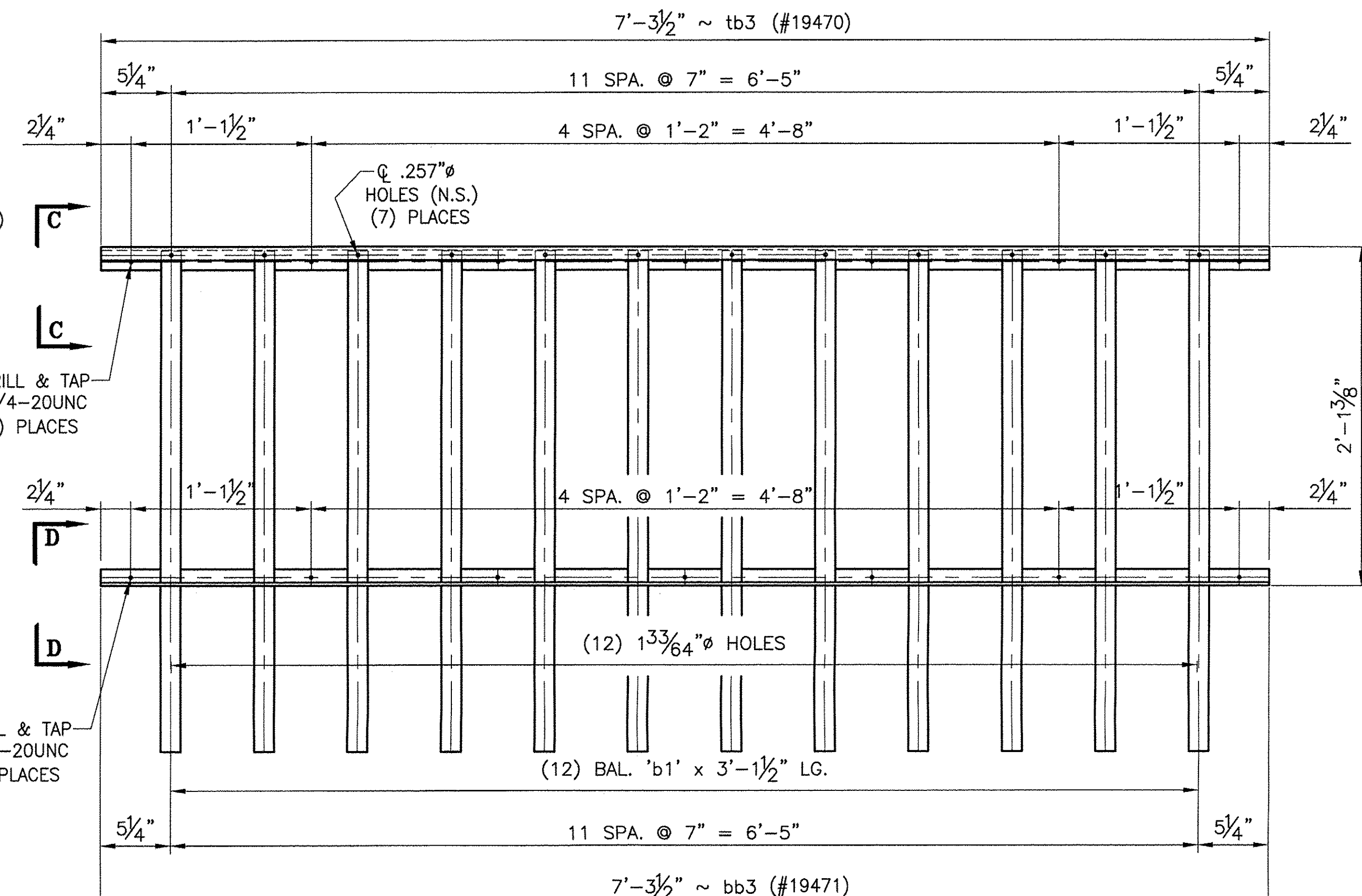


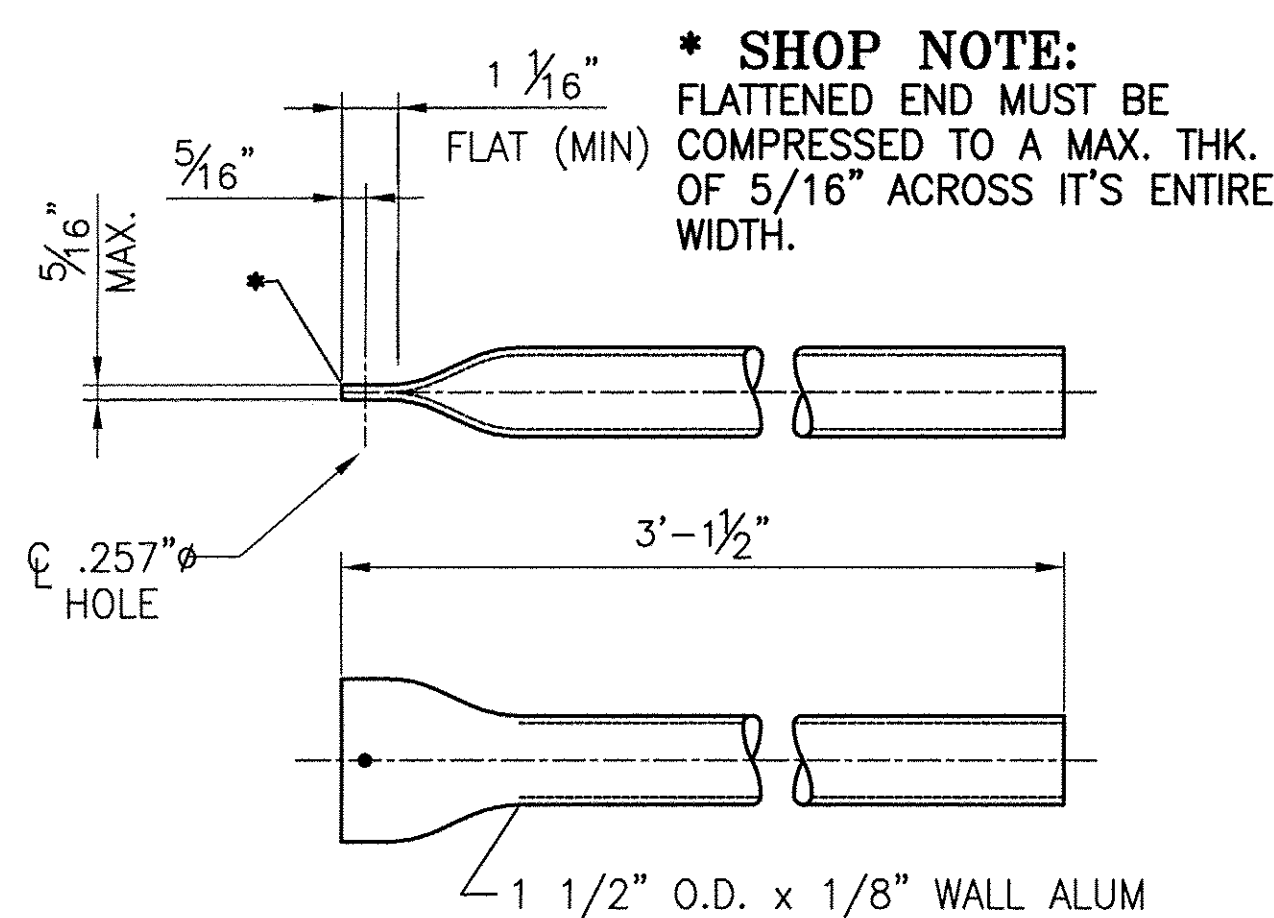
**2 REQ'D. ~ BALUSTER PANEL ASSEMBLY 'BP1'**  
(REAR ELEVATION VIEW)



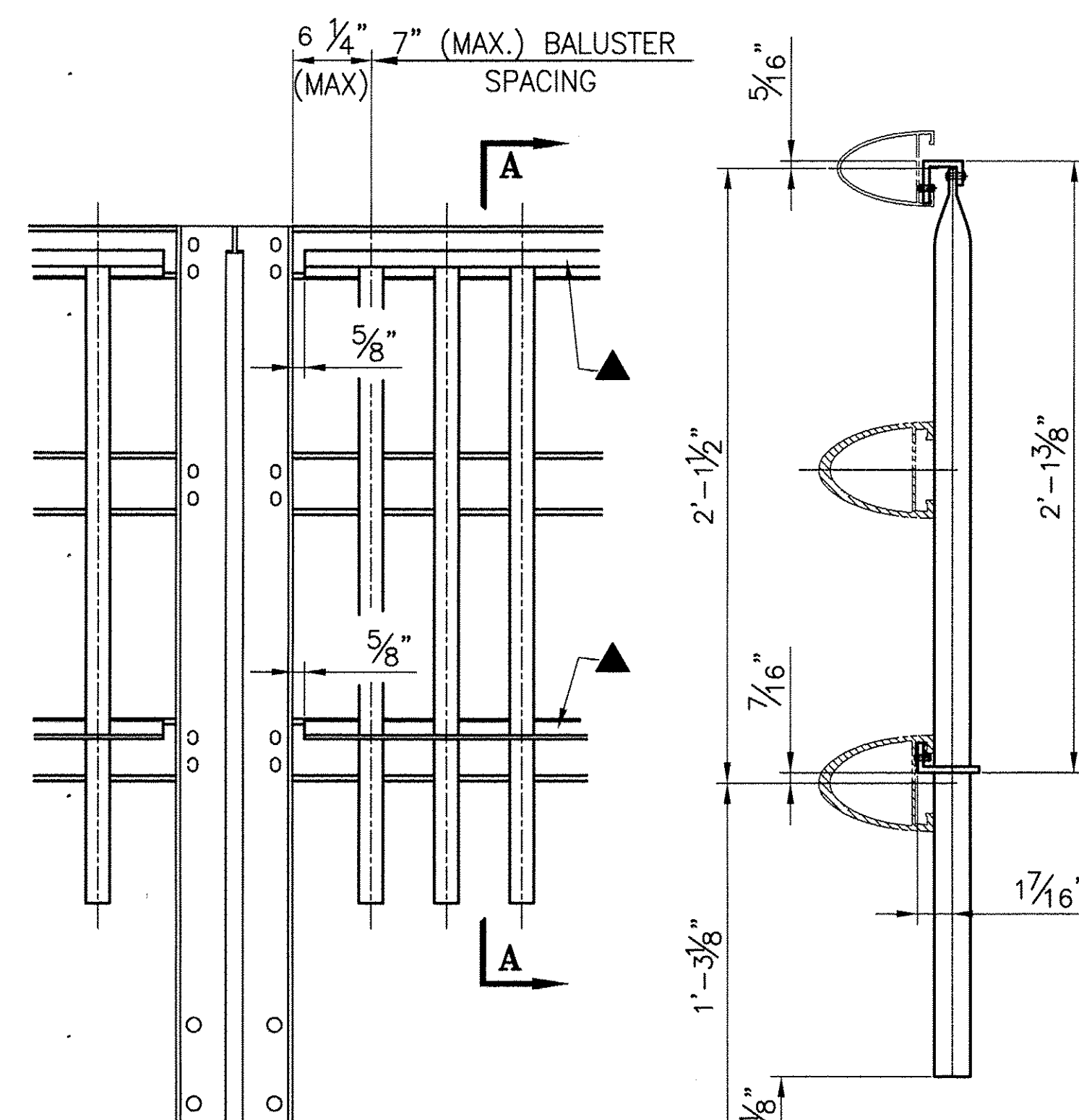
**2 REQ'D. ~ BALUSTER PANEL ASSEMBLY 'BP2'**  
(REAR ELEVATION VIEW)



**23 REQ'D. ~ BALUSTER PANEL ASSEMBLY 'BP3'**  
(REAR ELEVATION VIEW)

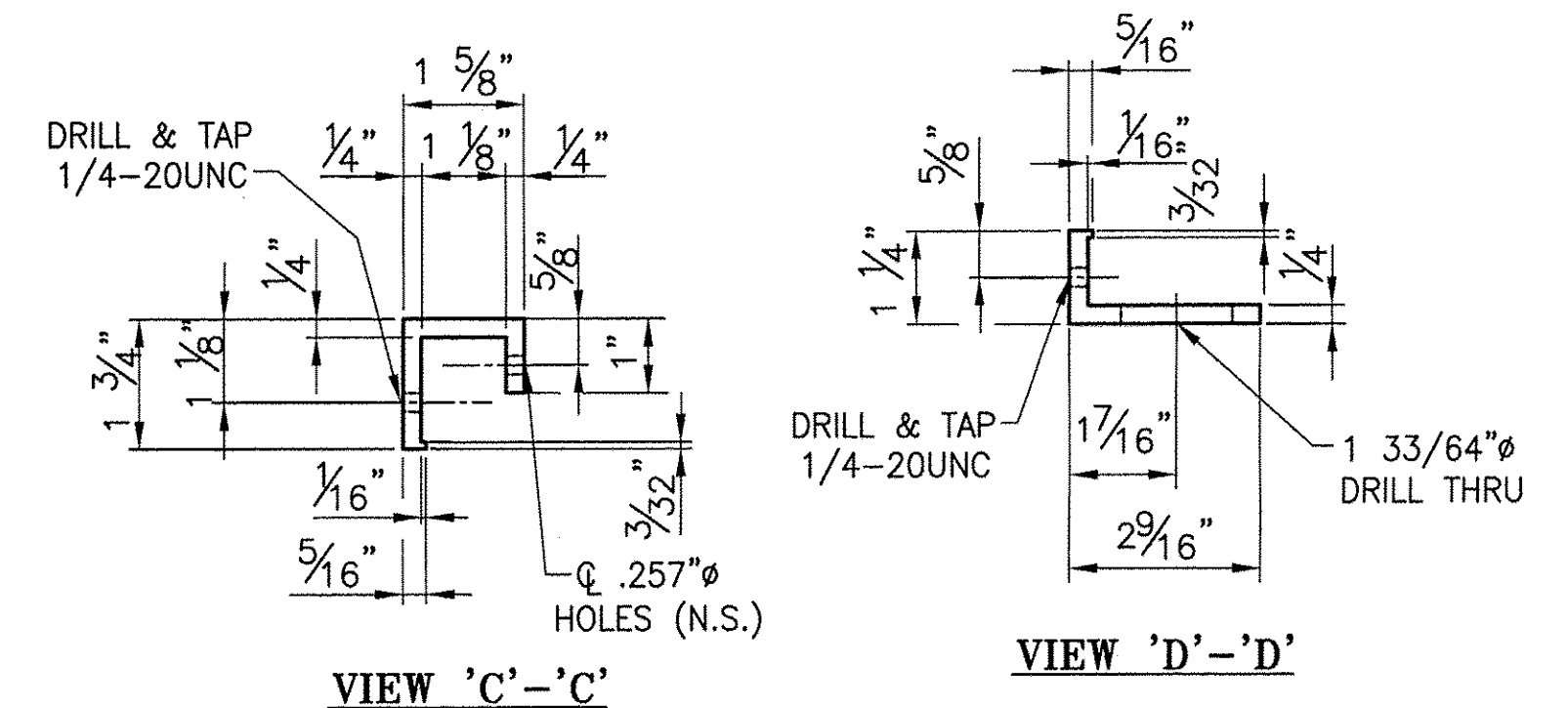
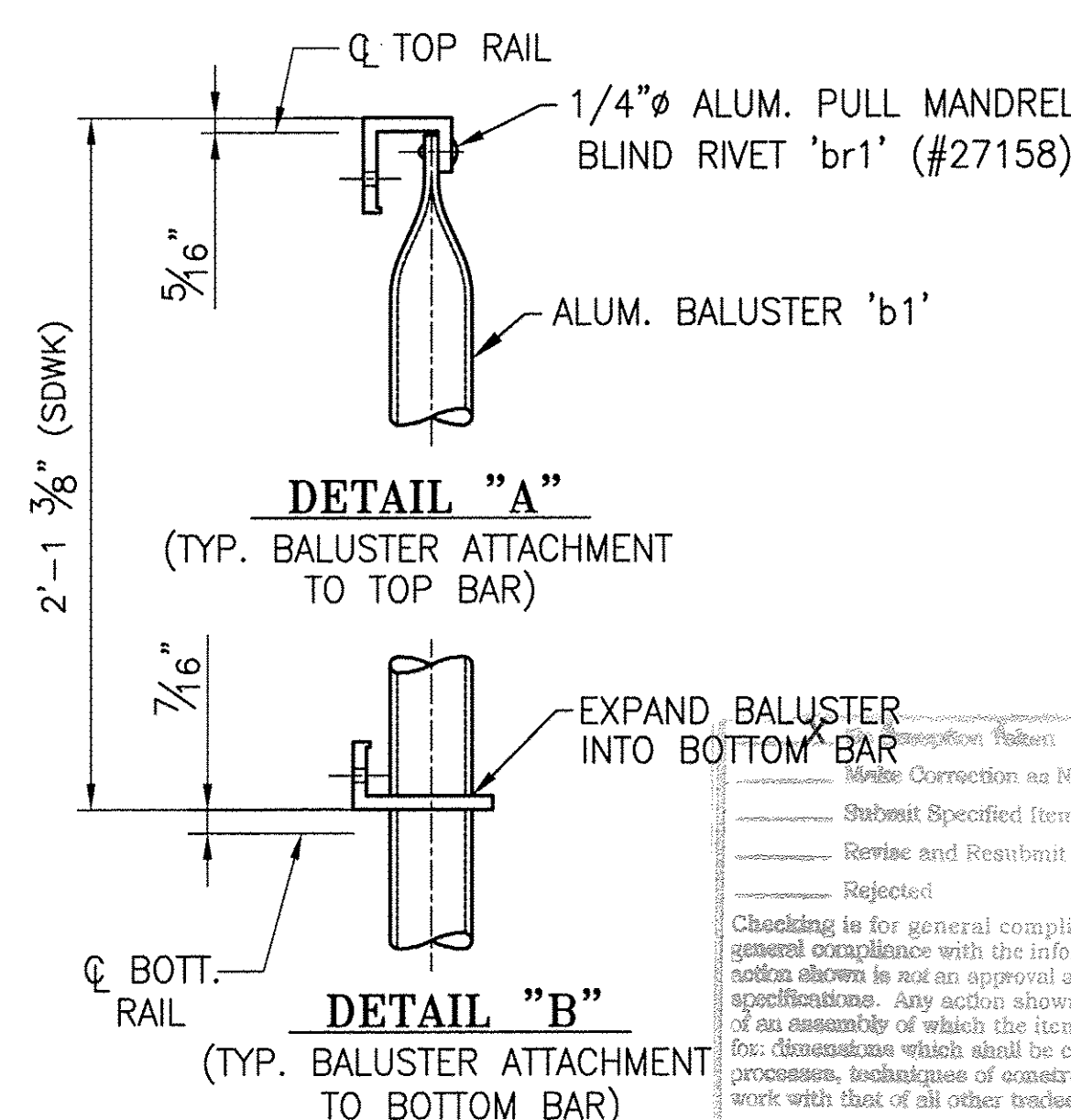


**304 ~ REQ'D BALUSTERS 'b1'**  
#19451



**TYPICAL ELEVATION**  
▲ 1/4"-20UNC S.S. SOCKET SET SCREW x 1/2" - 'SS1' (#22079) EVERY OTHER SPACE BETWEEN BALUSTERS IF POSSIBLE

**SECTION A-A**



Checked by: \_\_\_\_\_  
 Drawn by: \_\_\_\_\_  
 Date: 3/11/10  
 T-Y-LIN INTERNATIONAL

**ANODIZED**  
(SEE LB1 FOR NOTES)

REV.	DESCRIPTION	BY	DATE

BRIDGE No. 30  
 PROJECT No. BHF 0283 (9) S  
 ITEM No: 525.235

APPROVED: \_\_\_\_\_ REC'D APPROVAL \_\_\_\_\_  
 DRAWING \_\_\_\_\_

**L.B. FOSTER COMPANY**  
 1016 GREENTREE ROAD  
 PITTSBURGH, PENNSYLVANIA 15220

FOR: A.D. ROSSI CORPORATION  
 VERMONT AGENCY OF TRANSPORTATION  
 TOWN OF BERKSHIRE, COUNTY OF FRANKLIN  
 3-LINE SEMI-ELLIP. ALUM. BRIDGE RAIL FOR VT RTE 118  
 ALUM BRIDGE RAILING ~ BALUSTER PANEL DETAILS

MADE CMS DATE 02/16/10 JOB No. AR0624 CUST. No. \_\_\_\_\_  
 CHECK. BLJ DATE 02/25/10 DRAWING LB6 REV. No. \_\_\_\_\_