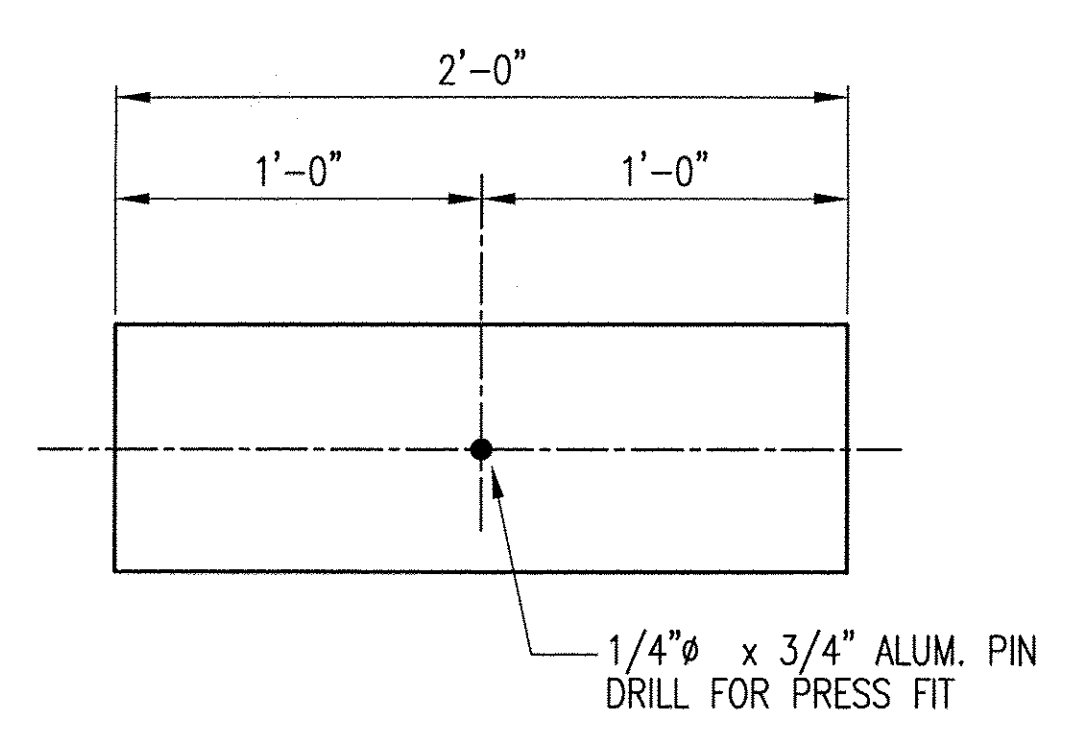
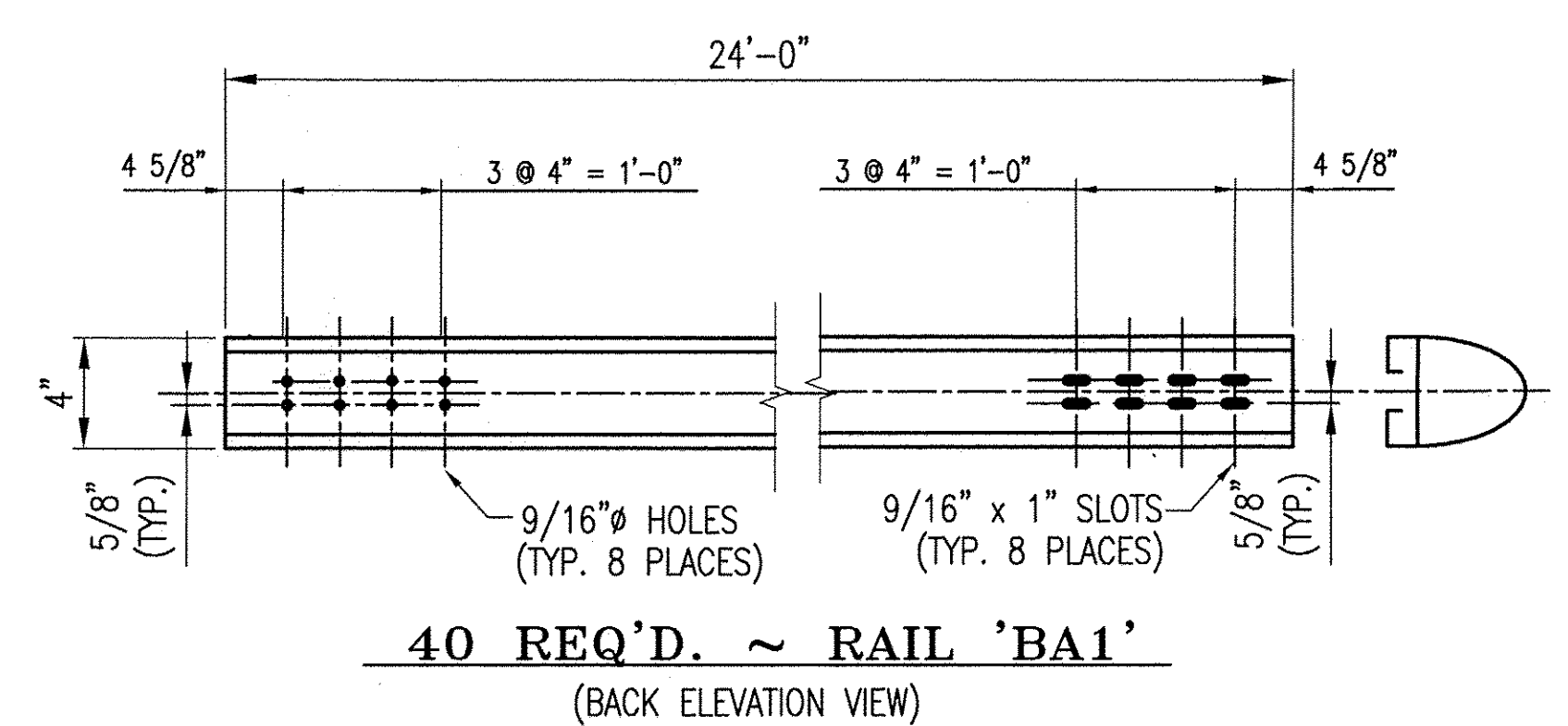
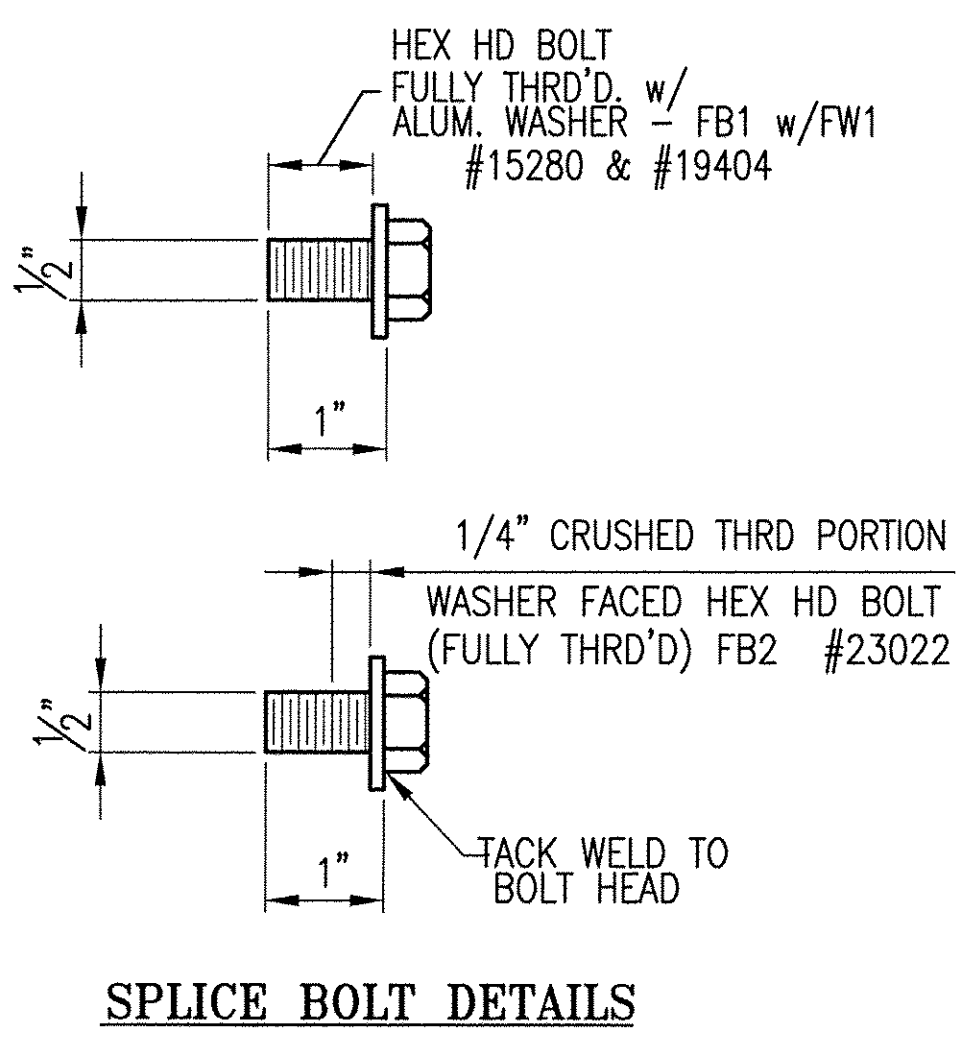
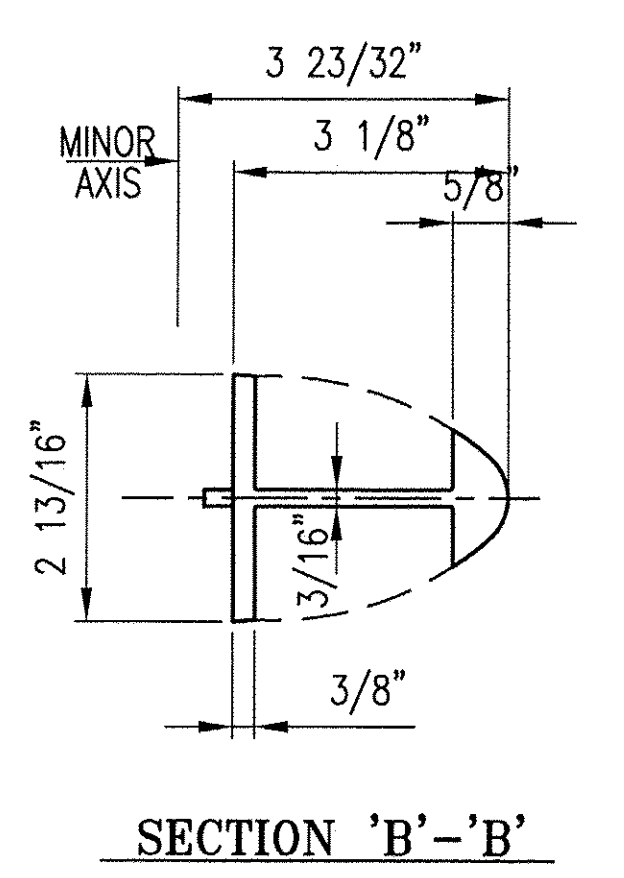
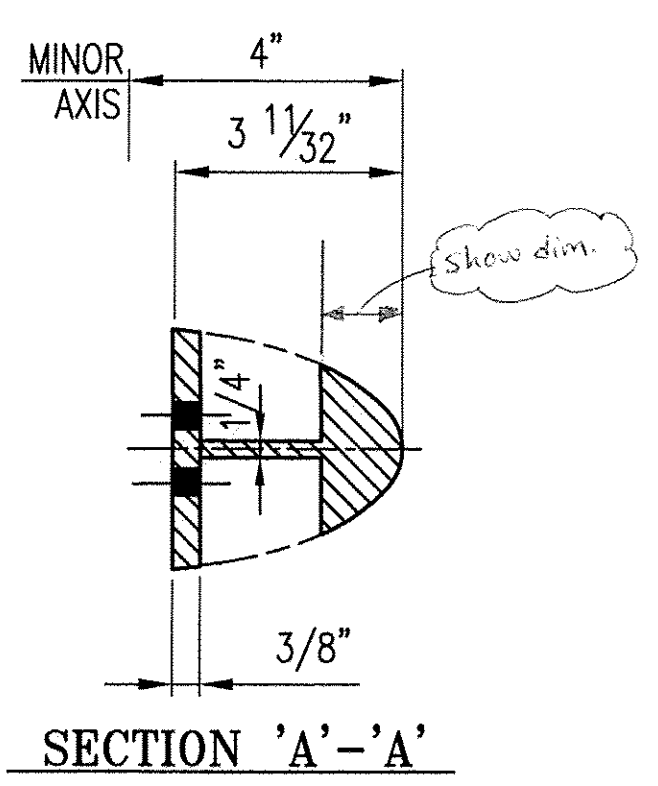


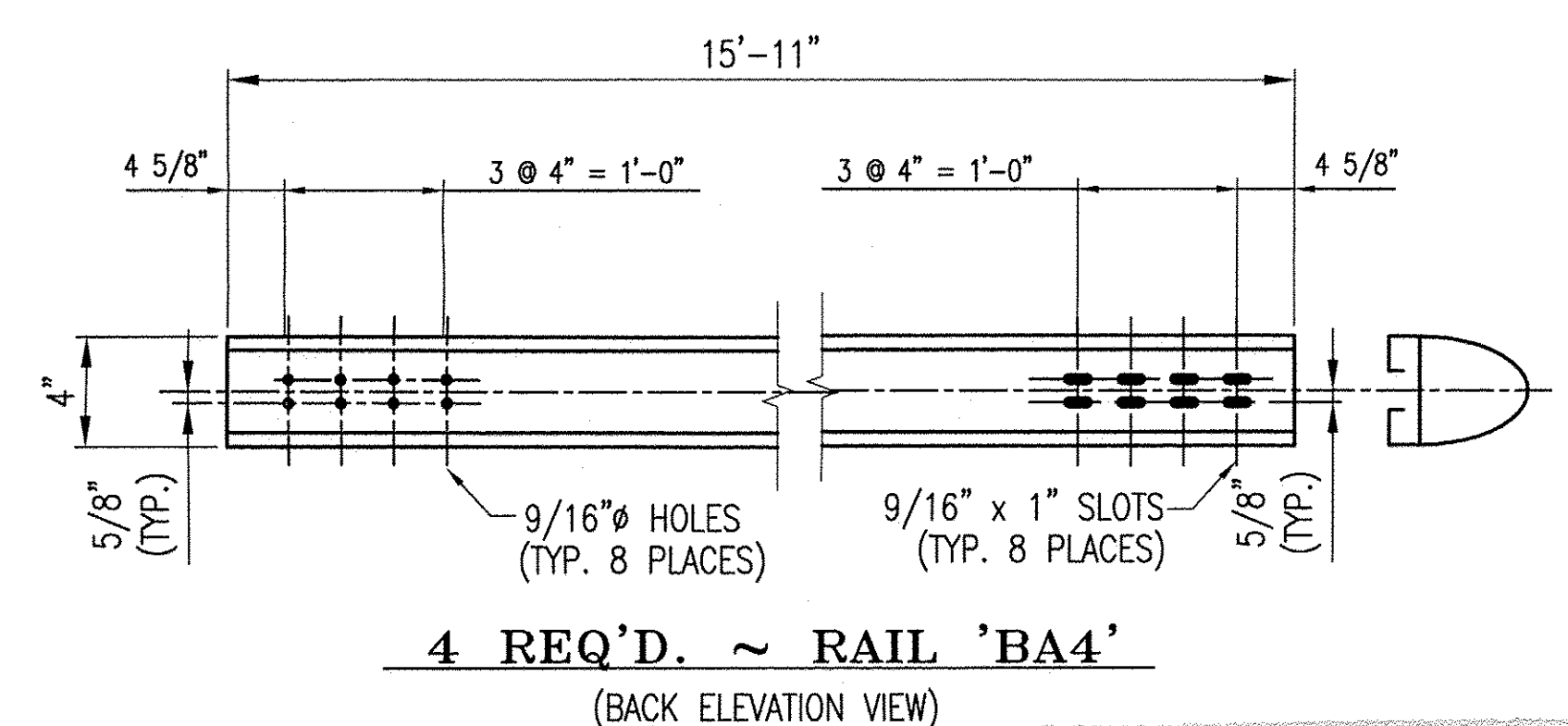
**48 ~ REQ'D SPLICE SLEEVES SS-03-G**  
(BARRIER RAIL) #19501



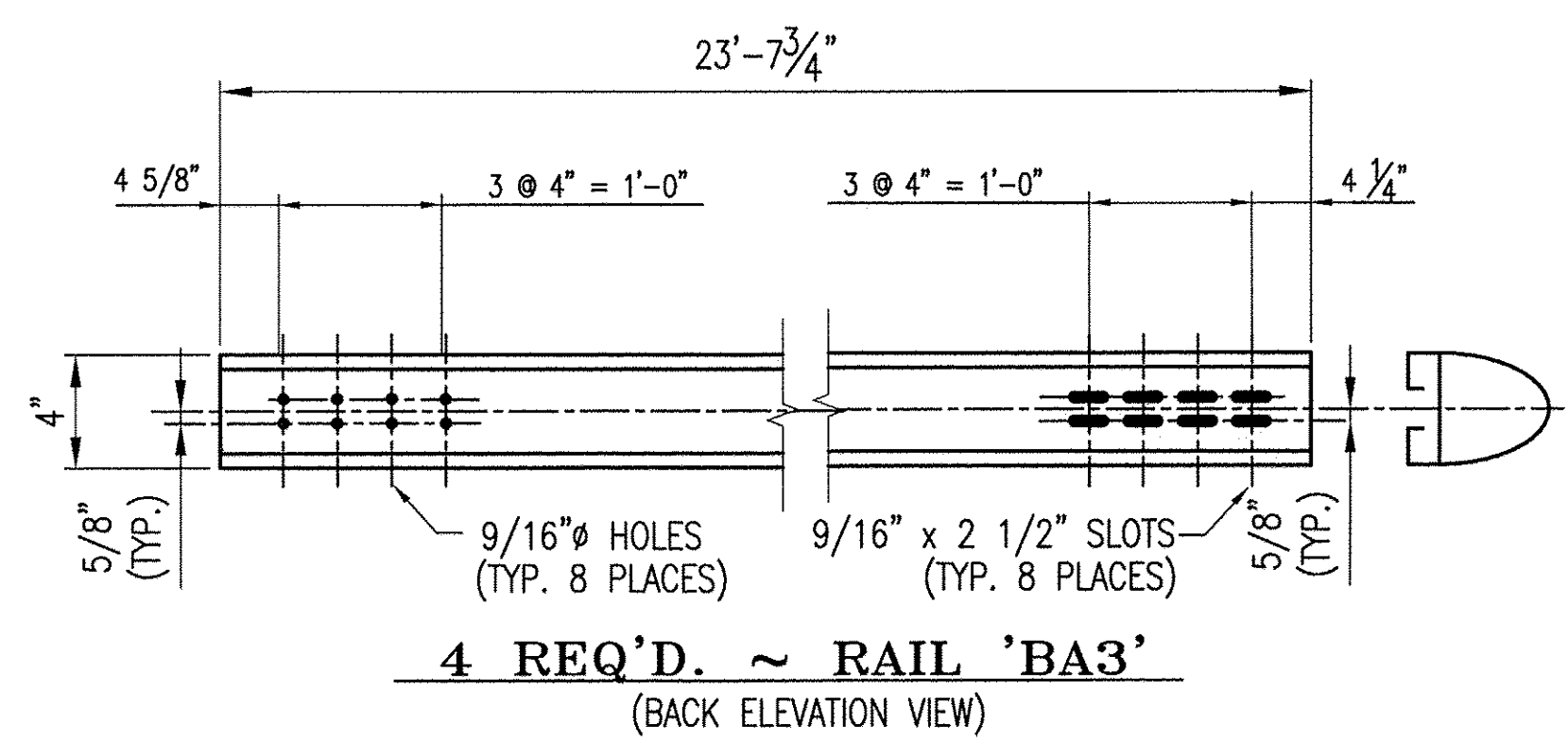
**24 ~ REQ'D SPLICE SLEEVES SS-23-A**  
(HANDRAIL) #20204



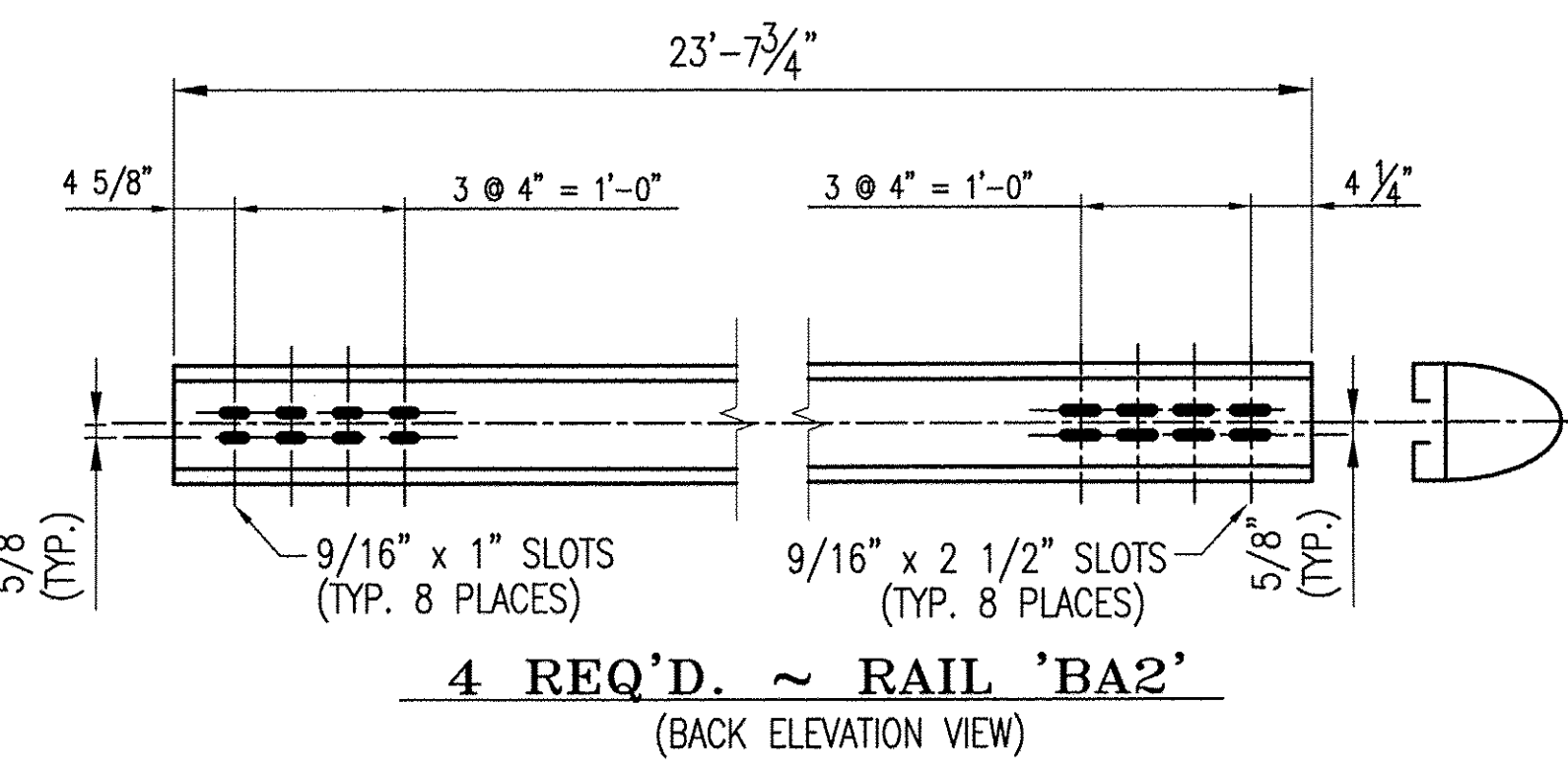
**40 REQ'D. ~ RAIL 'BA1'**  
(BACK ELEVATION VIEW)



**4 REQ'D. ~ RAIL 'BA4'**  
(BACK ELEVATION VIEW)



**4 REQ'D. ~ RAIL 'BA3'**  
(BACK ELEVATION VIEW)



**4 REQ'D. ~ RAIL 'BA2'**  
(BACK ELEVATION VIEW)

No Resubmission  
 Minor Correction as Noted  
 Submit Specified Item  
 Revise and Resubmit as Noted  
 Rejected  
 Checking is for general compliance with the design concept of the project and general compliance with the information given in the contract documents only. Any action shown on a specific item shall not indicate the checking of an assembly of which the item is a component. Contractor is solely responsible for dimensions which shall be confirmed and correlated at the job site, fabrication processes, techniques of construction, safety precautions, and coordination of its work with that of all other trades and the satisfactory performance of its work.  
 Reviewed By: *Shanta Keller* Date: *3/21/10*

**ANODIZED**  
(SEE LB1 FOR SPECIFICATIONS)

BRIDGE No. 30	PROJECT No. BHF 0283 (9) S	ITEM No: 525.225	ITEM No: 525.235
APPROVED: _____		REC'D APPROVAL _____	
		DRAWING _____	
<b>L.B. FOSTER COMPANY</b>			
1016 GREENTREE ROAD PITTSBURGH, PENNSYLVANIA 15220			
FOR: A.D. ROSSI CORPORATION			
VERMONT AGENCY OF TRANSPORTATION			
TOWN OF BERKSHIRE, COUNTY OF FRANKLIN			
3-LINE SEMI-ELLIP. ALUM. BRIDGE RAIL FOR VT RTE 118			
KEY PLAN & MISC DETAILS			
MADE	CMS DATE 02/16/10	JOB No. AR0624	CUST. No.
CHECK	BLJ DATE 02/25/10	DRAWING LB5	REV. No.

REV.	DESCRIPTION	BY	DATE