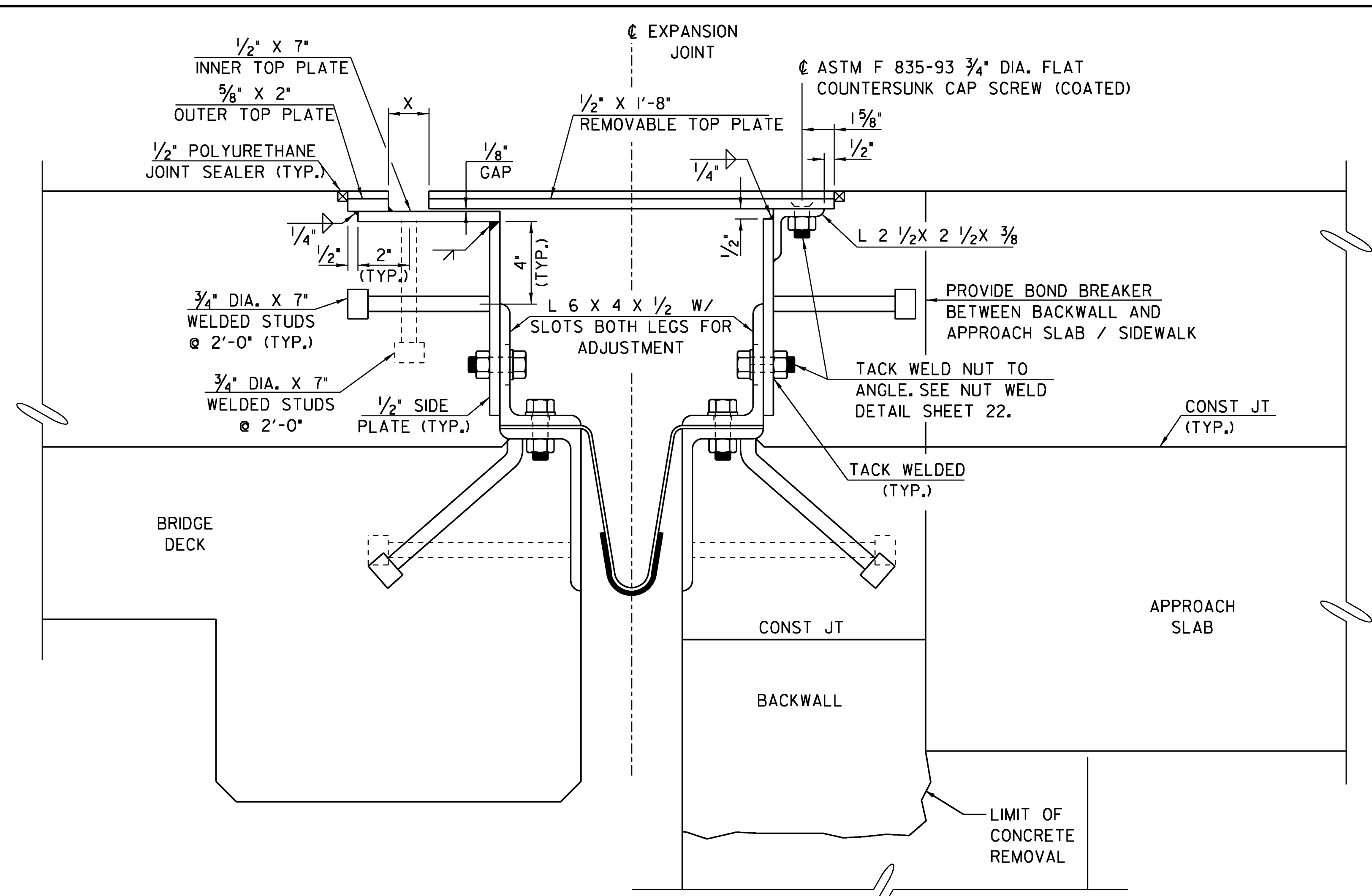


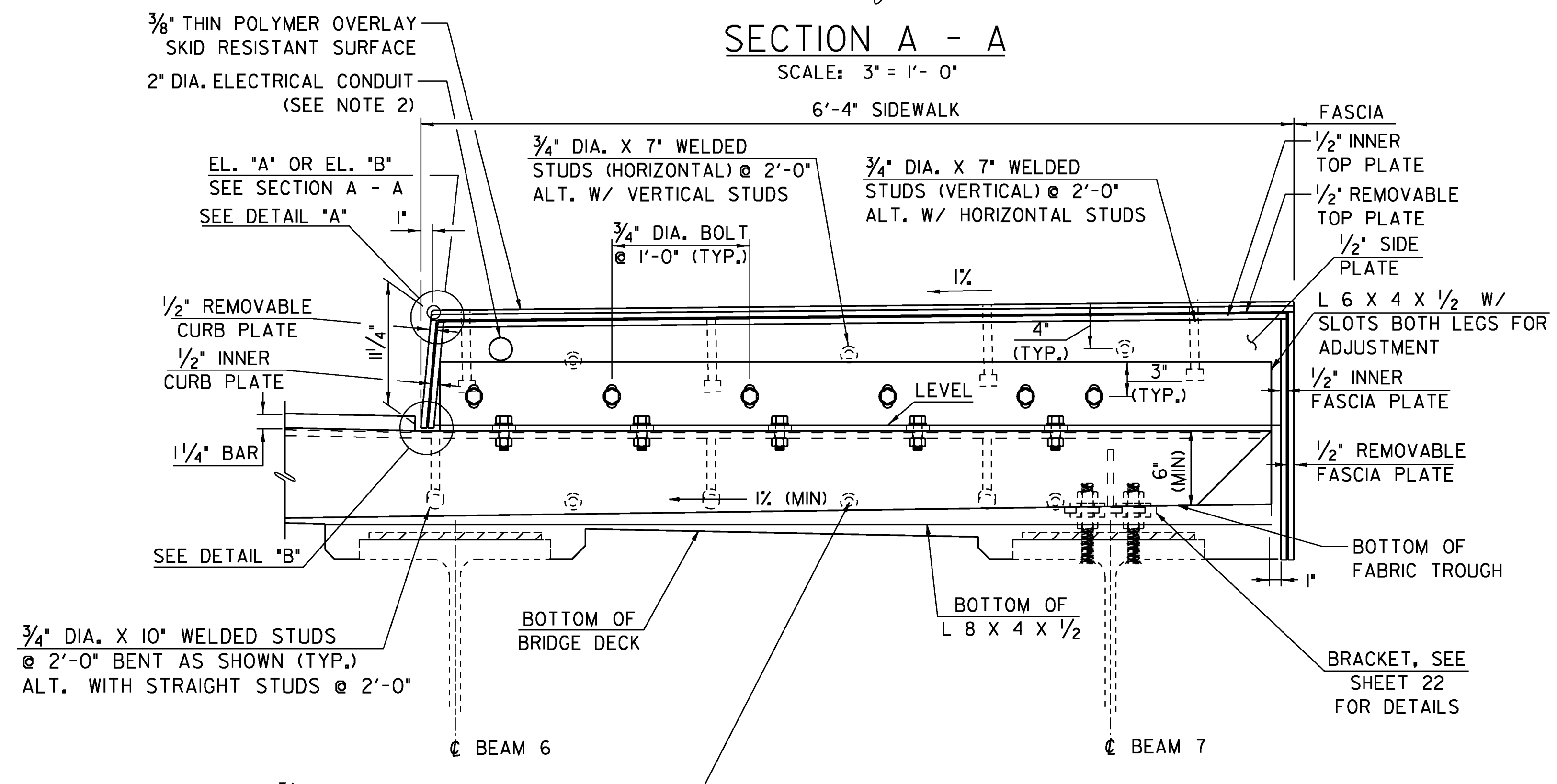
SECTION A - A

SCALE: 3" = 1'- 0"



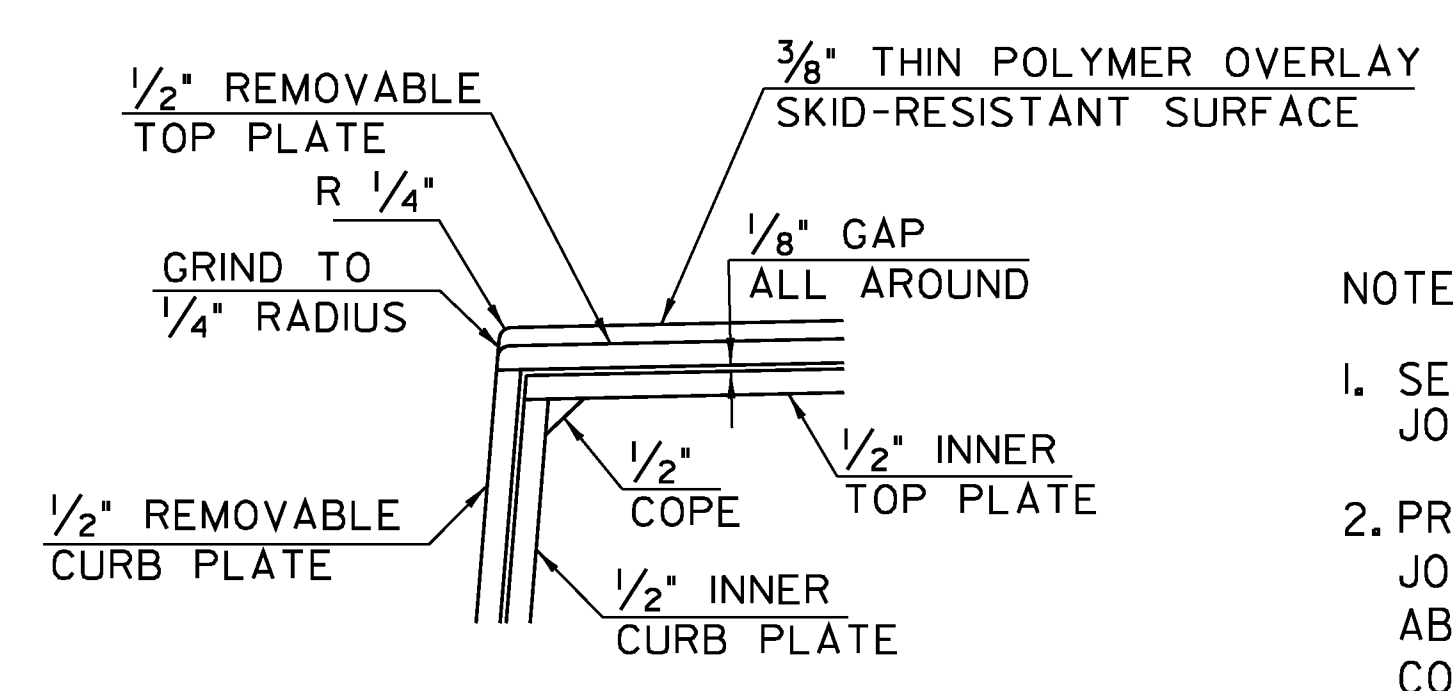
SECTION B - B

SCALE: 3" = 1'- 0"



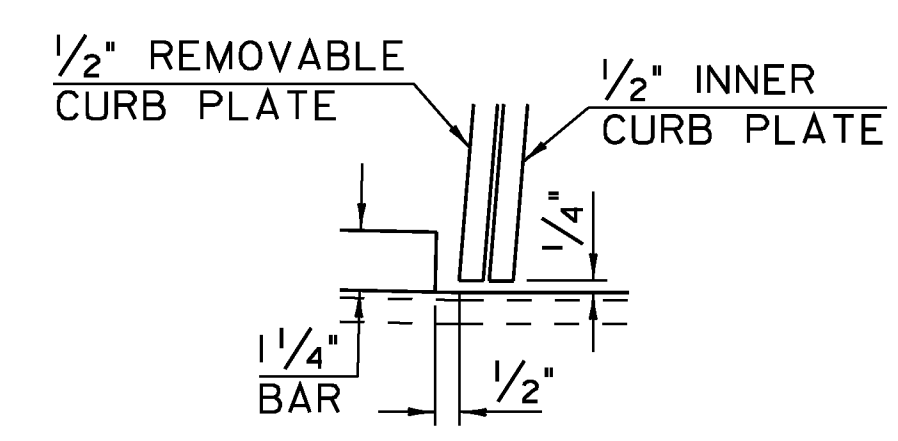
SECTION C - C

SCALE: 1/2" = 1'- 0"



DETAIL "A"

SCALE: 3" = 1'- 0"



DETAIL "B"

SCALE: 3" = 1'- 0"

SIDEWALK TABLE @ 45° F			
ABUTMENT	EL "A"	EL "B"	"X"
NO. 1	420.07	420.05	1"
NO. 2	420.77	420.75	1/2"

- NOTE:
- SECTION LOCATIONS SHOWN ON SHT 21, EXPANSION JOINT PLAN.
 - PROVIDE ELECTRICAL CONDUIT EXPANSION COUPLING AND JOINT SEAL BETWEEN SUPERSTRUCTURE SIDEWALK AND ABUTMENT BACKWALL SIDE PLATES. PAYMENT WILL BE CONSIDERED INCIDENTAL TO CONTRACT ITEM 678.30.

**STATE OF VERMONT
AGENCY OF TRANSPORTATION**

Town Of BERKSHIRE	Bridge No. 30
Highway No. VT 118	Log Sta. Surv. Sta.
VT 118 OVER MISSISSQUOI RIVER	
SIDEWALK EXPANSION DAM DETAILS	
Designed By J Howe	Drawn By J Davis
Checked By R Hebert	Bridge Design Supervisor
Date 4/2/09	Date
PROJECT BERKSHIRE	PROJECT NO. BHF 0283(9)S
I.G.C. Info. ZC3045CD.DGN	
Bridge Sheet No.	Sheet 23 of 41