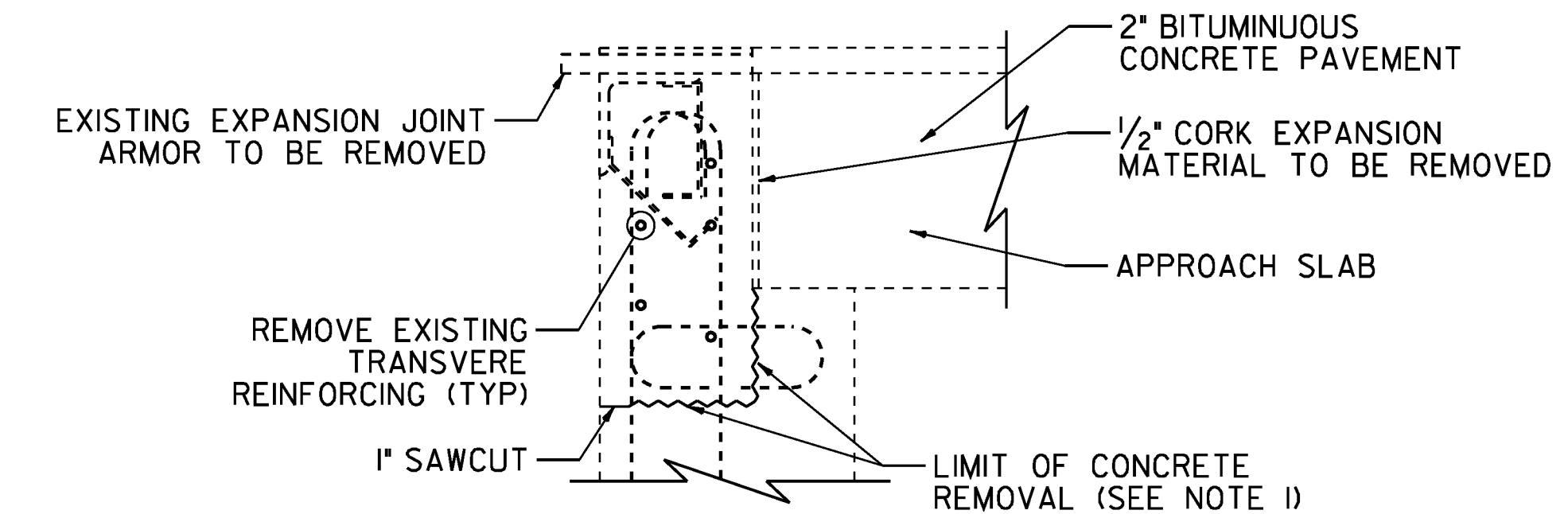


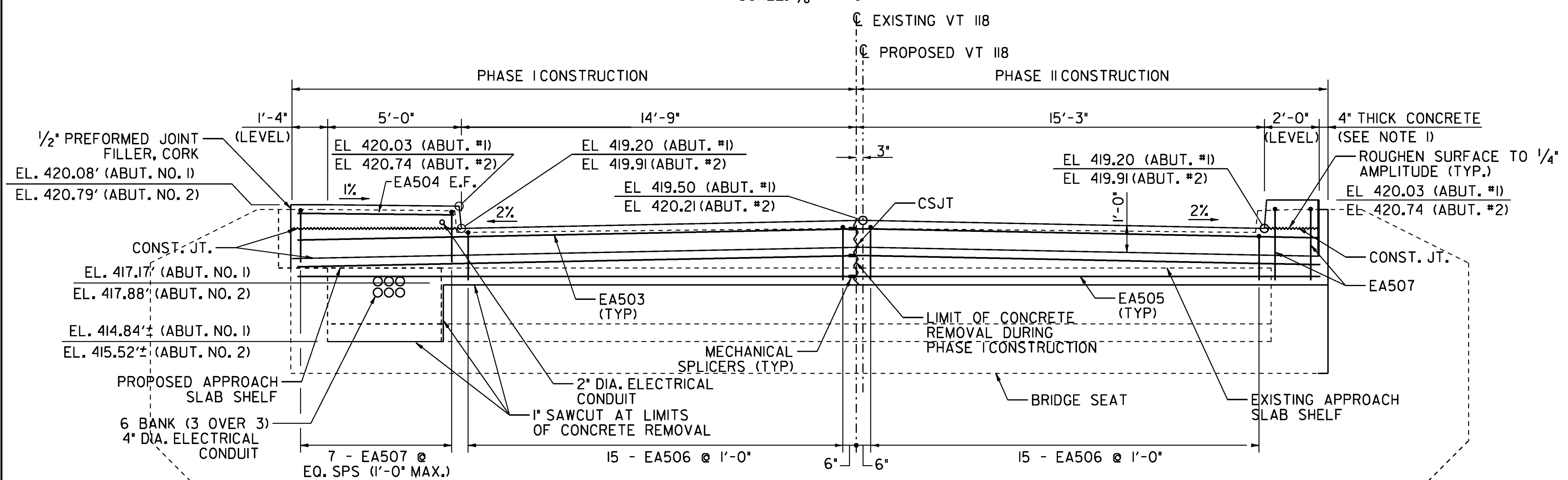
**PLAN**

ABUTMENT NO. 1 SHOWN  
 ABUTMENT NO. 2 SIM/OPP HAND  
 SCALE: 3/8" = 1'-0"



**TYPICAL EXISTING ABUTMENT SECTION**

SCALE: 1" = 1'-0"



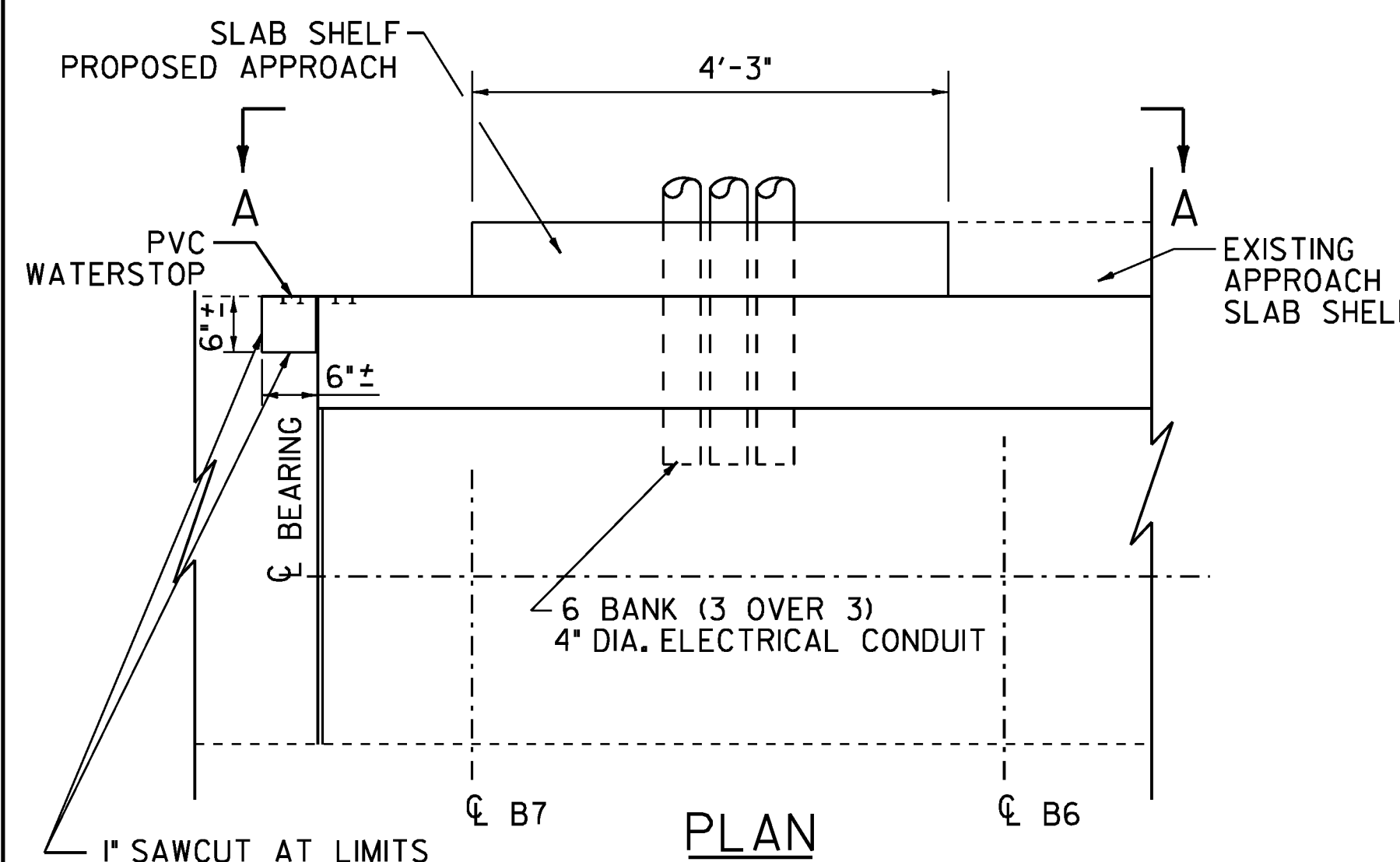
**ELEVATION**

ABUTMENT NO. 1 SHOWN  
 ABUTMENT NO. 2 SIM/OPP HAND  
 SCALE: 3/8" = 1'-0"

**TYPICAL PROPOSED ABUTMENT SECTION**

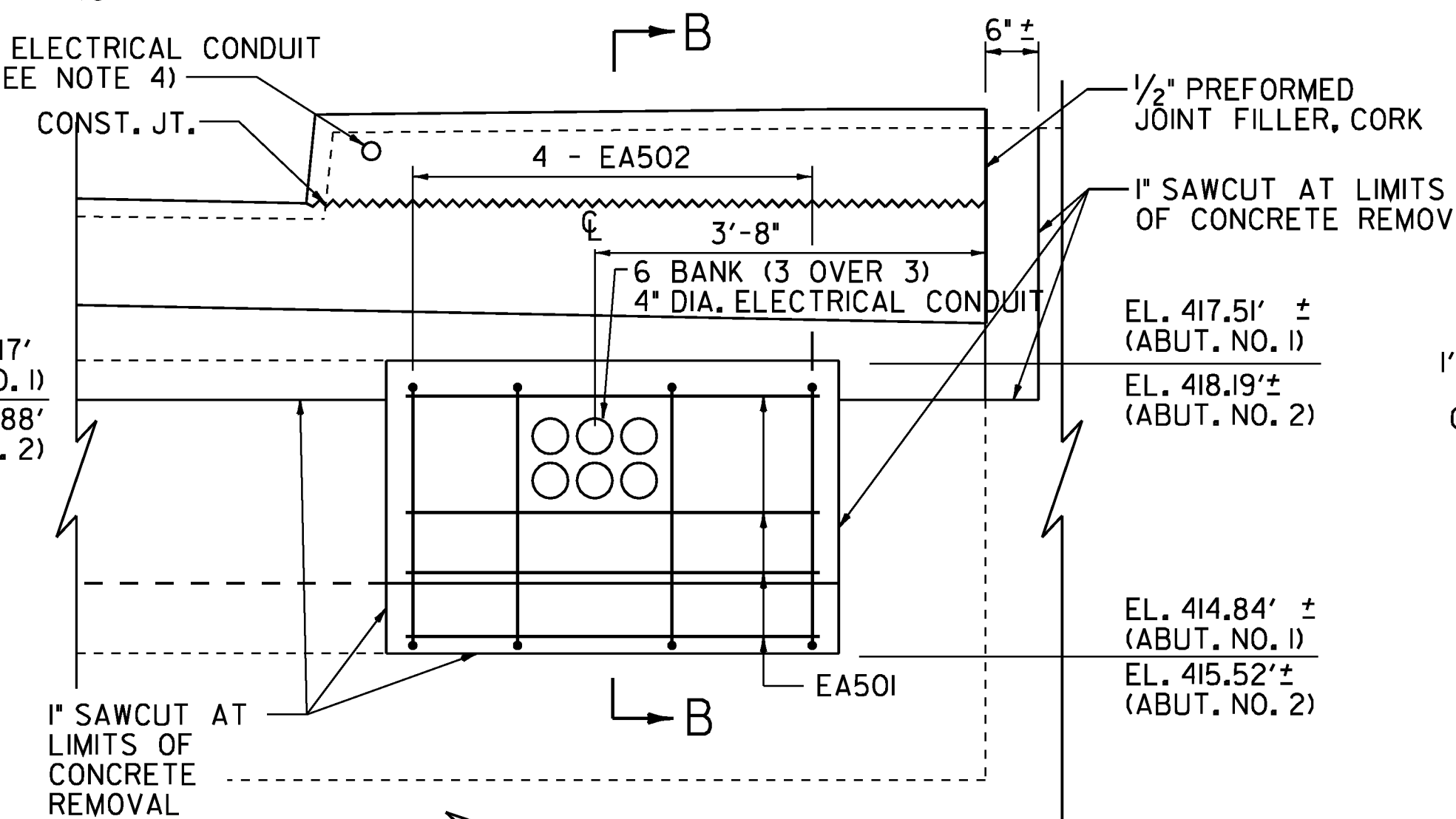
SCALE: 1" = 1'-0"

- NOTE:
1. APPLY EPOXY BONDING COMPOUND PRIOR TO PLACING CONCRETE, INCIDENTAL TO ITEM 900.608 SPECIAL PROVISION (HIGH PERFORMANCE CONCRETE CLASS A LOW CEMENT).
  2. ALL DIMENSIONS ARE APPROXIMATE AND MUST BE FIELD VERIFIED. IN CASES WHERE FIELD DIMENSIONS DIFFER, MATCH EXISTING.
  3. ELEVATIONS SHOWN AT ENDS OF BRIDGE:  
 STA. 1+38.48 ABUT. #1  
 STA. 4+42.89 ABUT. #2
  4. PROVIDE ELECTRICAL CONDUIT EXPANSION COUPLING AND JOINT SEAL BETWEEN SUPERSTRUCTURE SIDEWALK AND ABUTMENT BACKWALL. PAYMENT FOR 2" DIA. ELECTRICAL CONDUIT, CONDUIT EXPANSION COUPLING, AND JOINT SEAL SHALL BE UNDER ITEM 678.30, ELECTRICAL CONDUIT SLEEVE.



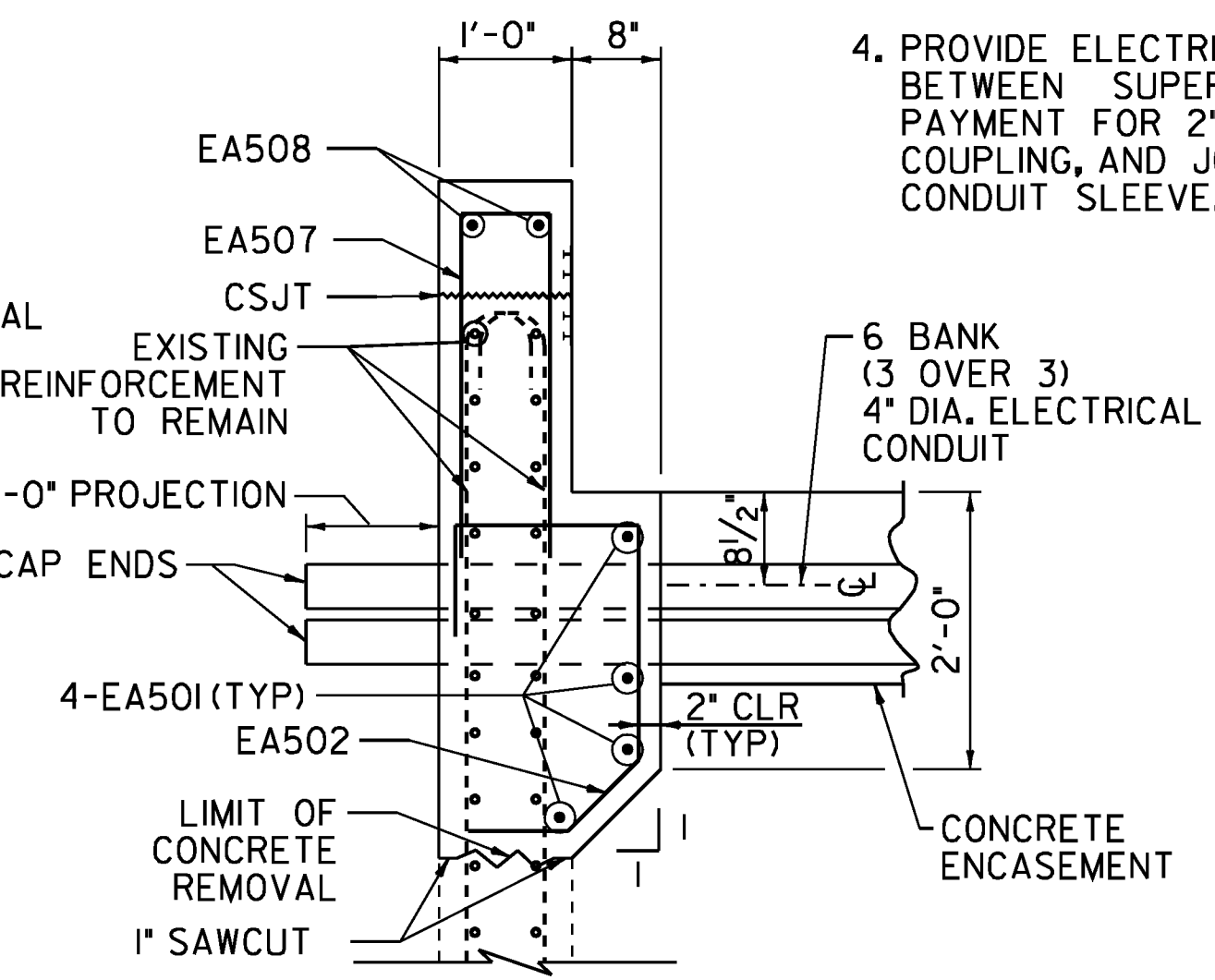
**PLAN**

ABUTMENT NO. 1 SHOWN  
 ABUTMENT NO. 2 SIM/OPP HAND  
 SCALE: 3/4" = 1'-0"



**ELEVATION A-A**

SCALE: 3/4" = 1'-0"



**SECTION B-B**

SCALE: 3/4" = 1'-0"

STATE OF VERMONT AGENCY OF TRANSPORTATION			
Town Of	BERKSHIRE	Bridge No.	30
Highway No.	VT 118	Log Sta.	
		Surv. Sta.	
<b>VT 118 OVER MISSISSQUOI RIVER</b>			
<b>ABUTMENT MODIFICATION DETAILS</b>			
Designed By	J Howe	Drawn By	J Davis
Checked By	R HEBERT	Date	4/2/09
		Bridge Design Supervisor	
PROJECT	BERKSHIRE	PROJECT NO.	BHF 0283(9)S
I.G.C. Info.			ZC304ABLDGN
Bridge Sheet No.		Sheet	14 of 41