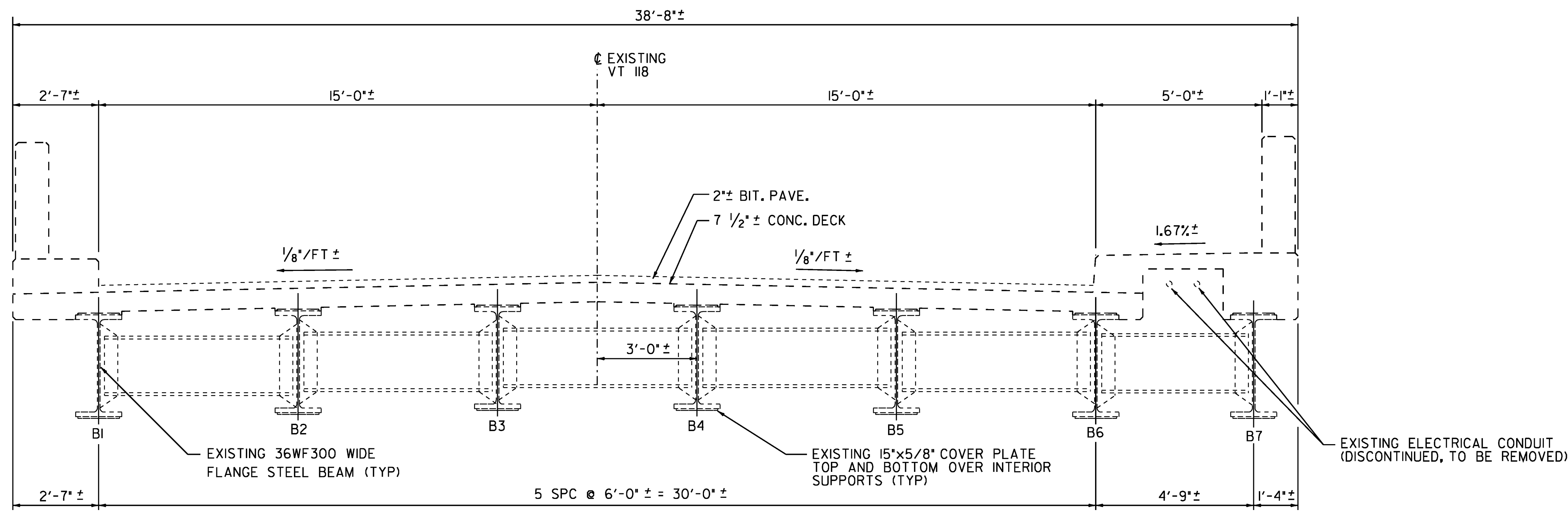


NOTE:
CURB, SIDEWALK, AND 8 1/2" DECK CONCRETE SHALL BE SPECIAL PROVISION - HIGH PERFORMANCE CONCRETE, CLASS A, LOW CEMENT.

PROPOSED TYPICAL SECTION

SCALE: 1/2" = 1'-0"



EXISTING TYPICAL SECTION

SCALE: 1/2" = 1'-0"

NOTE: PAYMENT FOR REMOVAL OF EXISTING ELECTRICAL CONDUIT SHALL BE INCIDENTAL TO ITEM 529.20 "PARTIAL REMOVAL OF STRUCTURE".

STATE OF VERMONT AGENCY OF TRANSPORTATION			
Town Of	BERKSHIRE	Bridge No.	30
Highway No.	VT 118	Log Sta.	
		Surv. Sta.	
VT 118 OVER MISSISSQUOI RIVER			
BRIDGE TYPICAL SECTIONS			
Designed By	J Howe	Drawn By	J Davis
Checked By	R Hebert	Date	4/2/09
		Bridge Design Supervisor	
PROJECT	BERKSHIRE	PROJECT NO.	BHF 0283(9)S
I.G.C. Info.			ZC304YLDGN
Bridge Sheet No.		Sheet	13 of 41