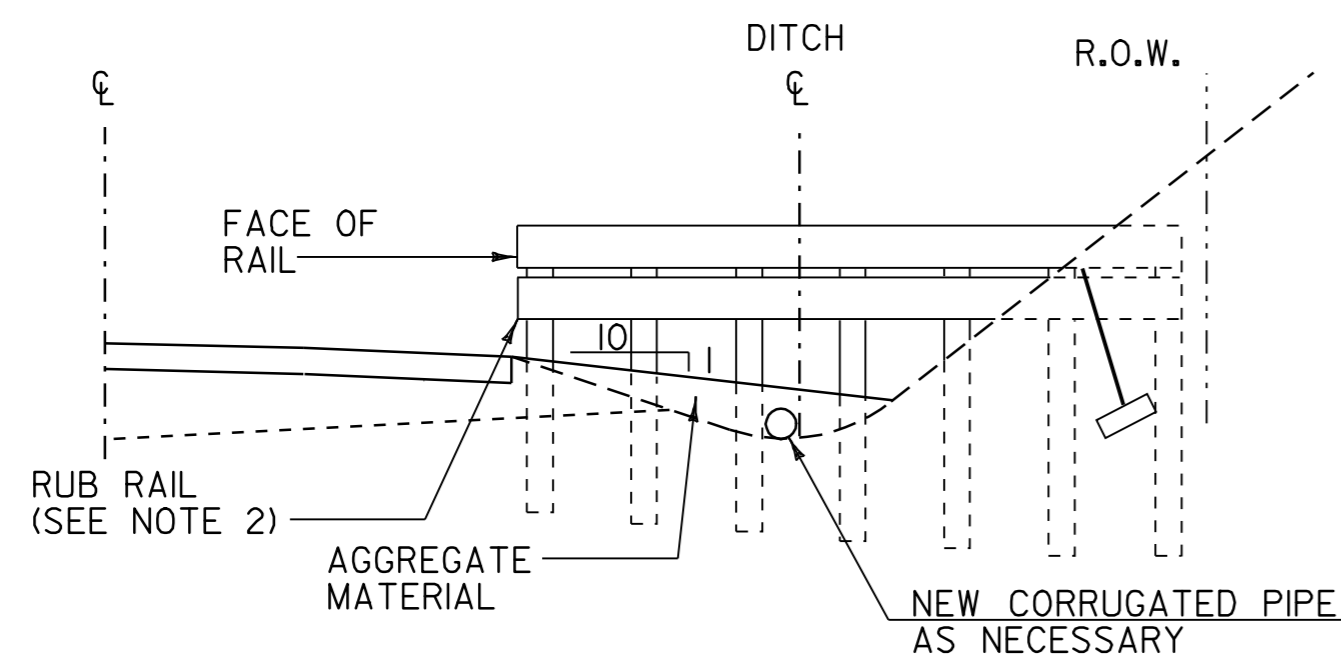
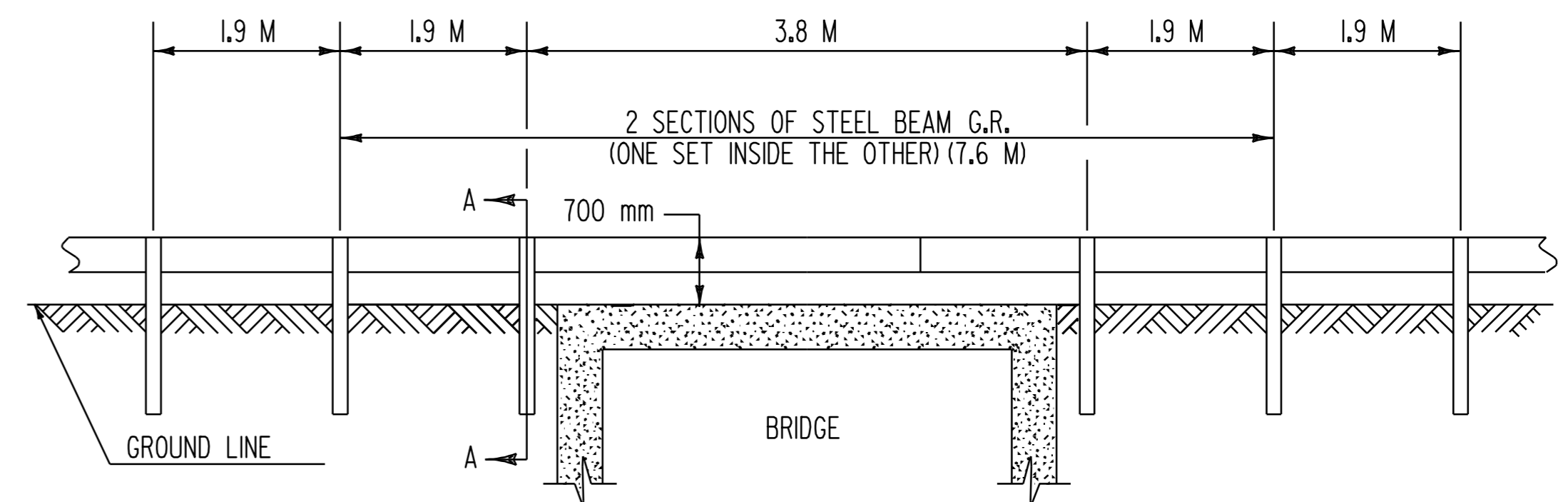


REDUCED STEEL BEAM GUARDRAIL POST SPACING DETAIL

NOT TO SCALE

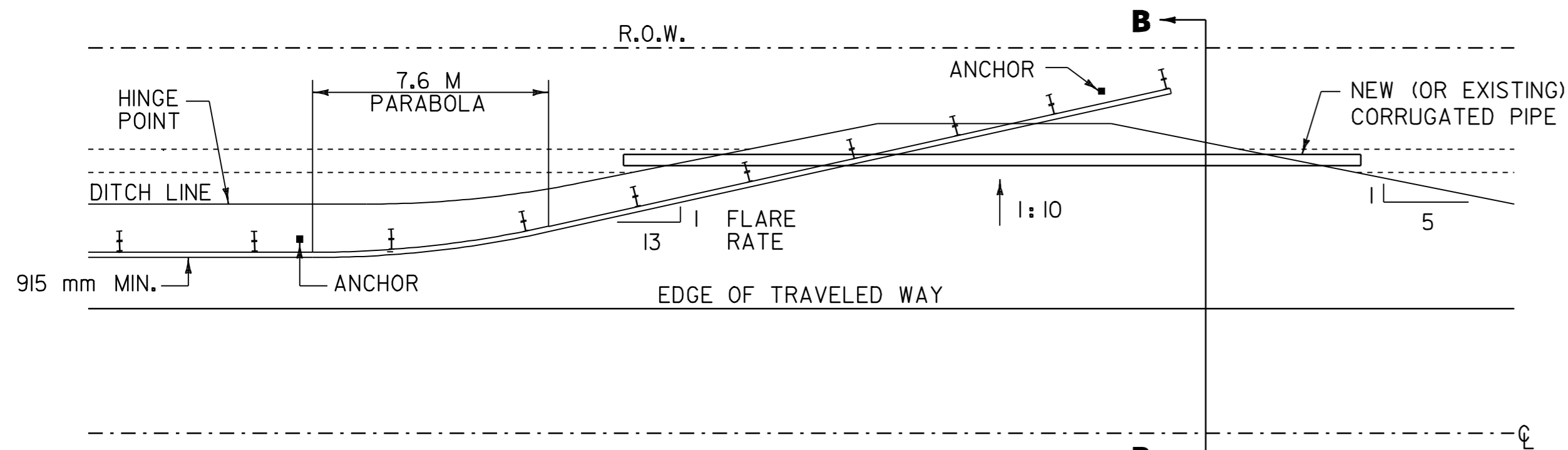


SECTION B-B

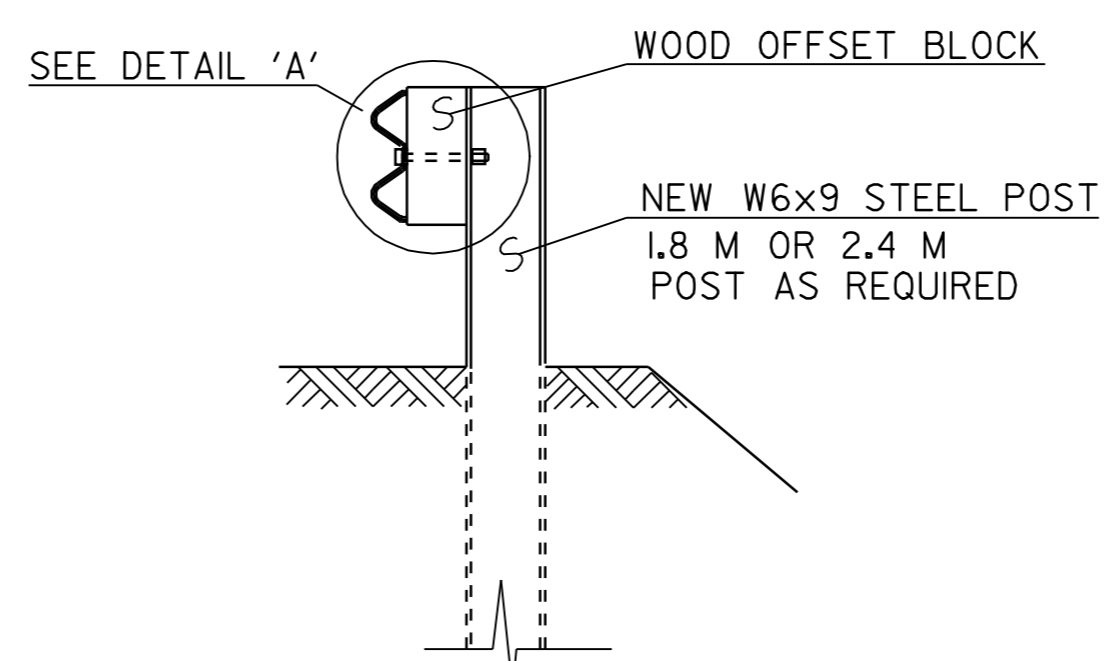


DETAIL OF STEEL BEAM GUARDRAIL AT SMALL CULVERTS AND BRIDGES

BRIDGE #1 - STA 0+921 (MM 0.572) (CONCRETE BOX)
NOT TO SCALE

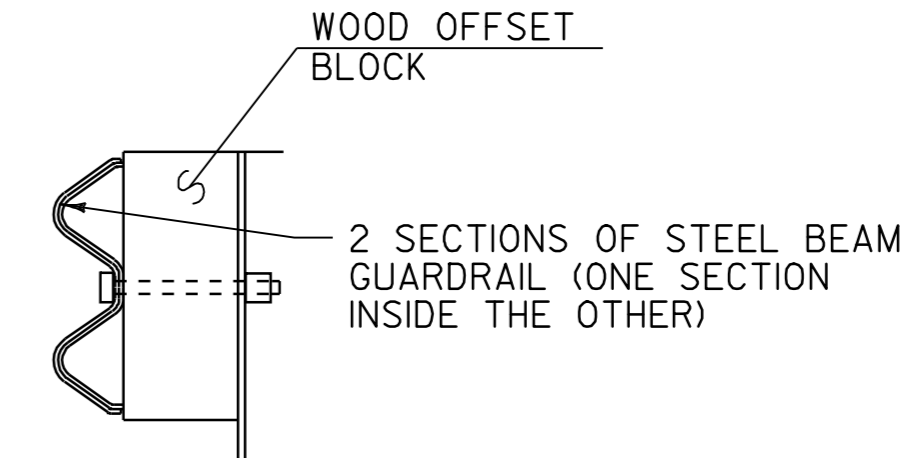


DETAIL FOR BURIED GUARDRAIL ENDS INTO BACKSLOPES



SECTION A-A

NOT TO SCALE



DETAIL A

NOT TO SCALE

NOTES

1. SEE STANDARD G-1 FOR STEEL BEAM GUARDRAIL DETAILS.
2. THIS WORK SHALL BE PAID UNDER ITEM 621.20 STEEL BEAM GUARDRAIL, GALVANIZED AT A PAY FACTOR OF 1.0.
3. THIS DETAIL TO BE USED AS INDICATED ON THE ITEM DETAIL SUMMARY SHEETS OR AS DIRECTED BY THE RESIDENT ENGINEER.

NOTES:

1. PRIMARY RAIL SHALL REMAIN AT A CONSTANT HEIGHT (LEVEL) RELATIVE TO THE HEIGHT OF RAIL AT THE EDGE OF SHOULDER.
2. ADDITION OF RUB RAIL IS REQUIRED WHEN OPENING BENEATH PRIMARY RAIL EXCEEDS 450 mm. RUB RAIL EXTENDS FROM THE EDGE OF SHOULDER TO THE BACK SLOPE. RUB RAIL PAID AS ITEM 621.20 STEEL BEAM GUARD RAIL, GALVANIZED

DATUM	
VERTICAL	N/A
HORIZONTAL	N/A

REDUCED POST SPACING DETAIL SHEET

DRAWN BY	WILDER	DATE	MAR_05
SQUAD LEADER			
DESIGN FILE NO.	/pave/98cl84/pcl84.dgn		
IPARM FILE	pcl84rps.i	DATE	08-SEP-2009 13:28
FILE		DATE PLOTTED	
PROJ. NAME	VERNON - BRATTLEBORO		
PROJ. NO.	AC STP 2126(1)S		
SHEET	29	OF	33