

ENOSBURG - BRIDGE #24
STA 32+84 = MM 0.621

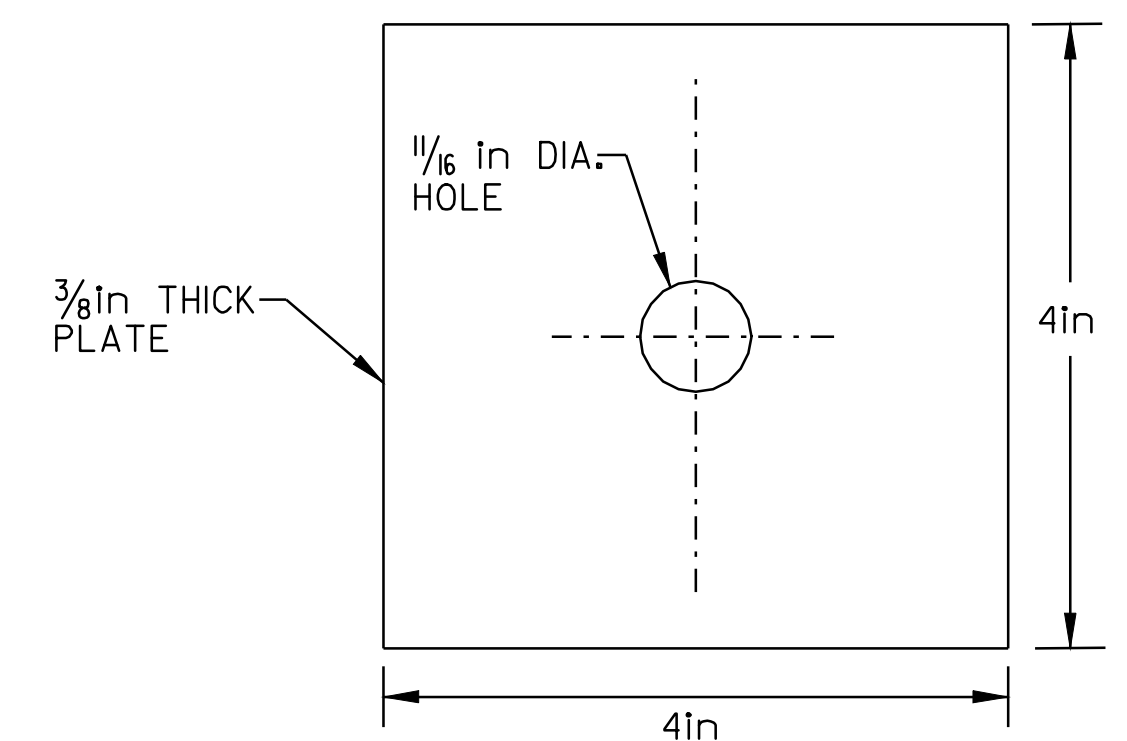
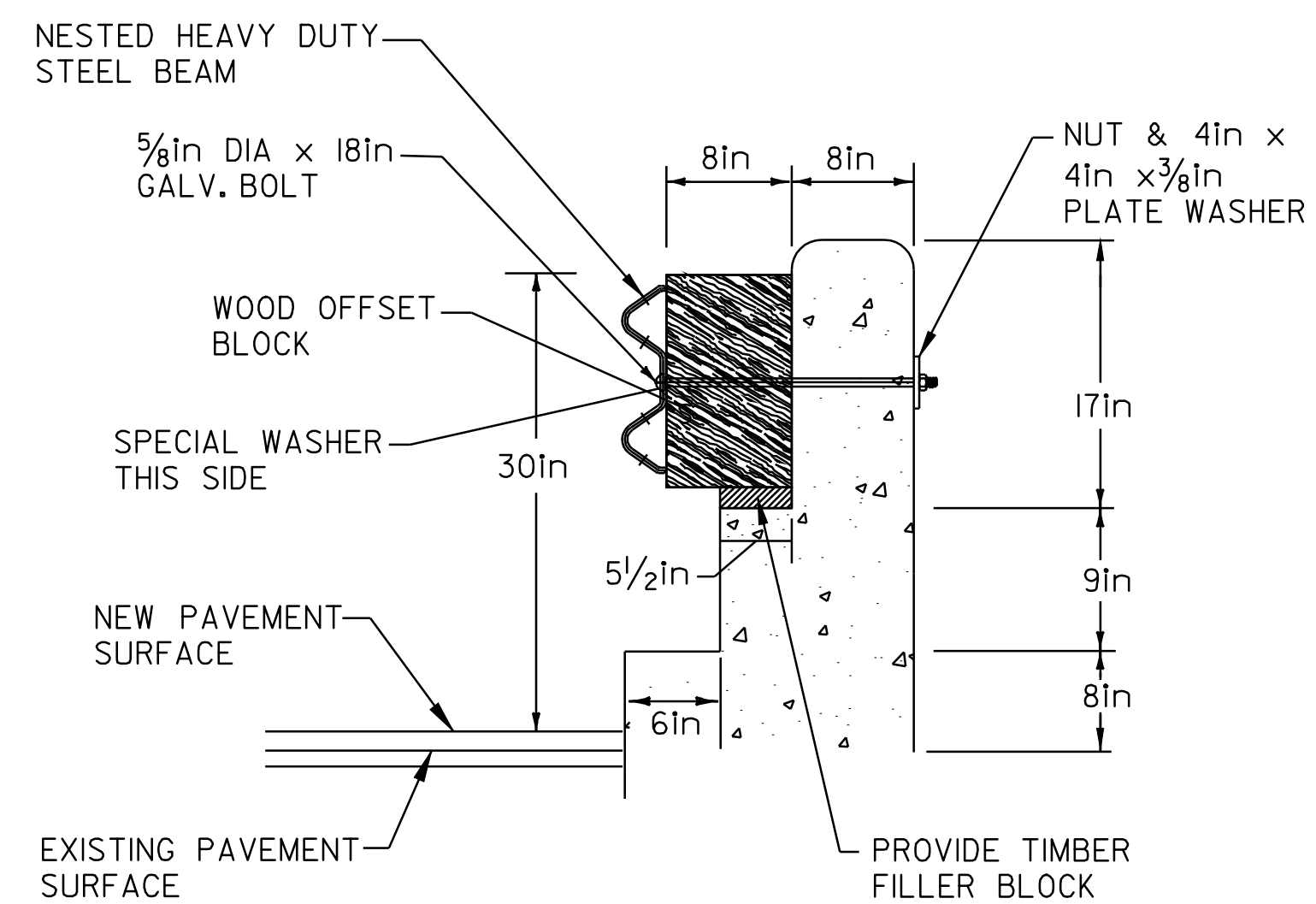
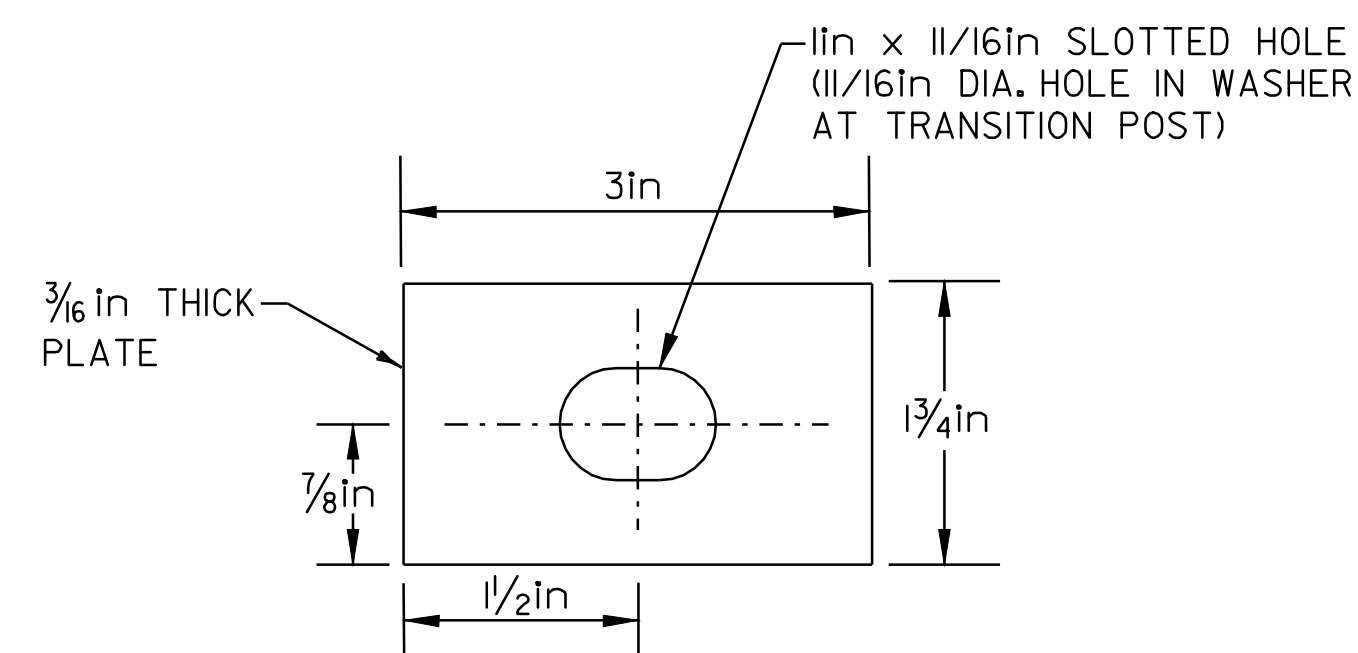


PLATE WASHER DETAIL
(MATERIAL SHALL MEET AASHTO M270/M270 GRADE 345W)

NOTE: BOLTS, NUTS & WASHERS SHALL BE GALVANIZED AND CONFORM TO SECTION 714.05.



SPECIAL WASHER DETAIL
(MATERIAL SHALL MEET AASHTO M270/M270 GRADE 345W)

**BRIDGE
DETAIL
SHEET
#4**

DESIGNED BY BCE/PJM DATE 6-06
DRAWN BY C.E.A., INC. DATE 6-06
DESIGN FILE NO. p98cl82.dgn
PRF FILE p98cl82br4.1 DATE 10-FEB-2010 14:19
PROJ. NAME **MONTGOMERY - BERKSHIRE**
PROJ. NO. **STP 2125(1)S**
SHEET **39** OF **41** SHEETS