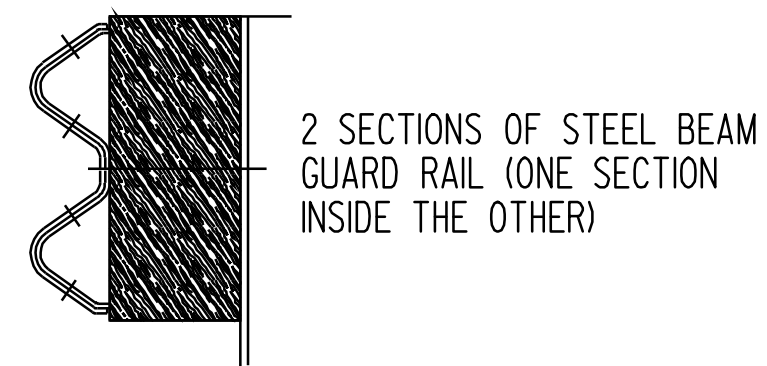


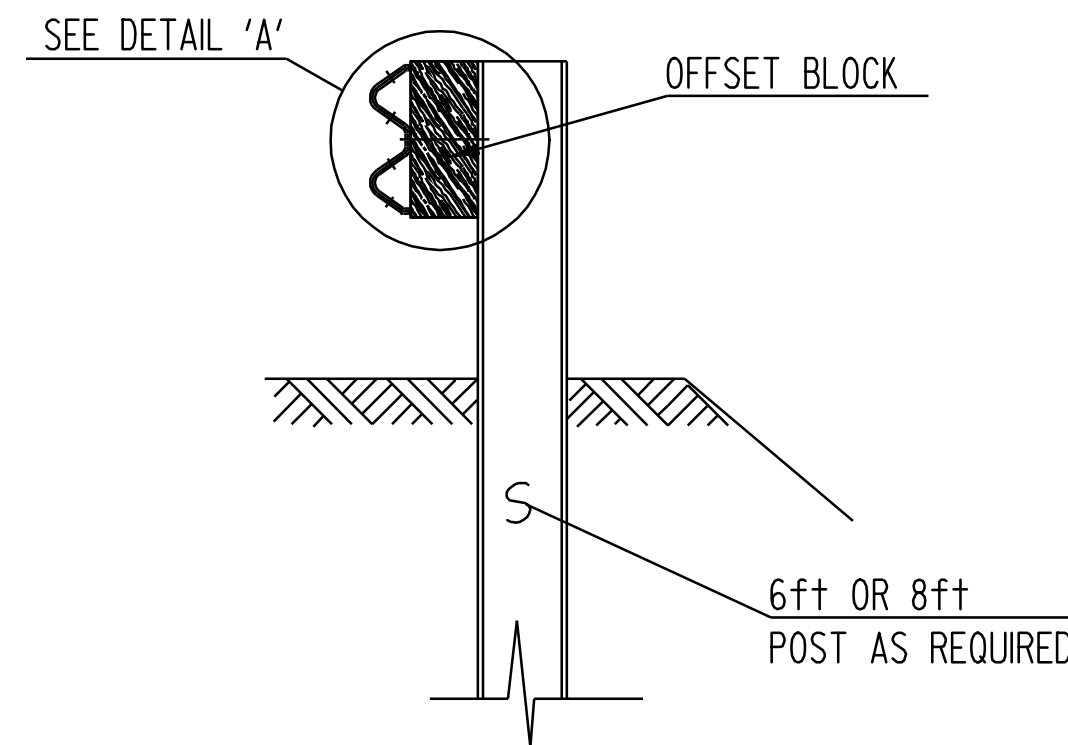
**MONTGOMERY - BRIDGE #17**  
**STA 390+03 = MM 7.387**

**NOTES**

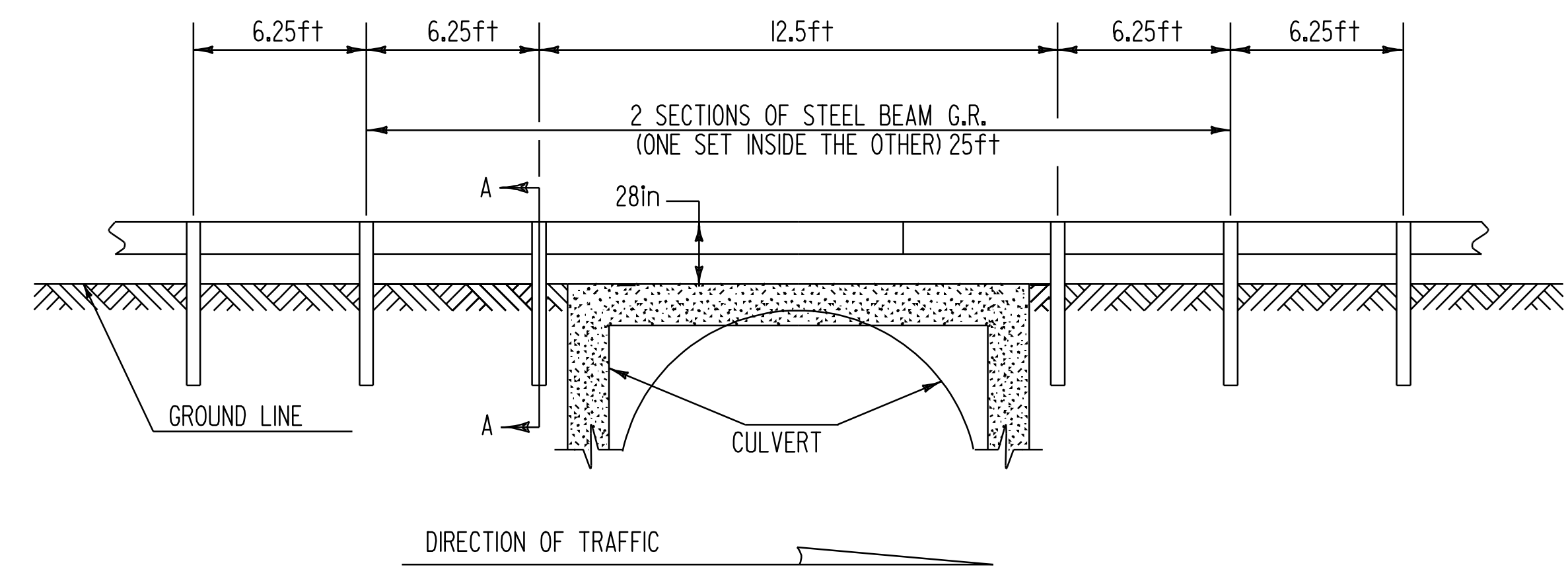
1. SEE STANDARD G-1 & G-1D FOR STEEL BEAM GUARD RAIL DETAILS.
2. THIS WORK SHALL BE PAID UNDER ITEM 621.20, STEEL BEAM GUARD RAIL, OR 621.21 HEAVY DUTY STEEL BEAM GUARD RAIL AT A PAY FACTOR OF 1.0.



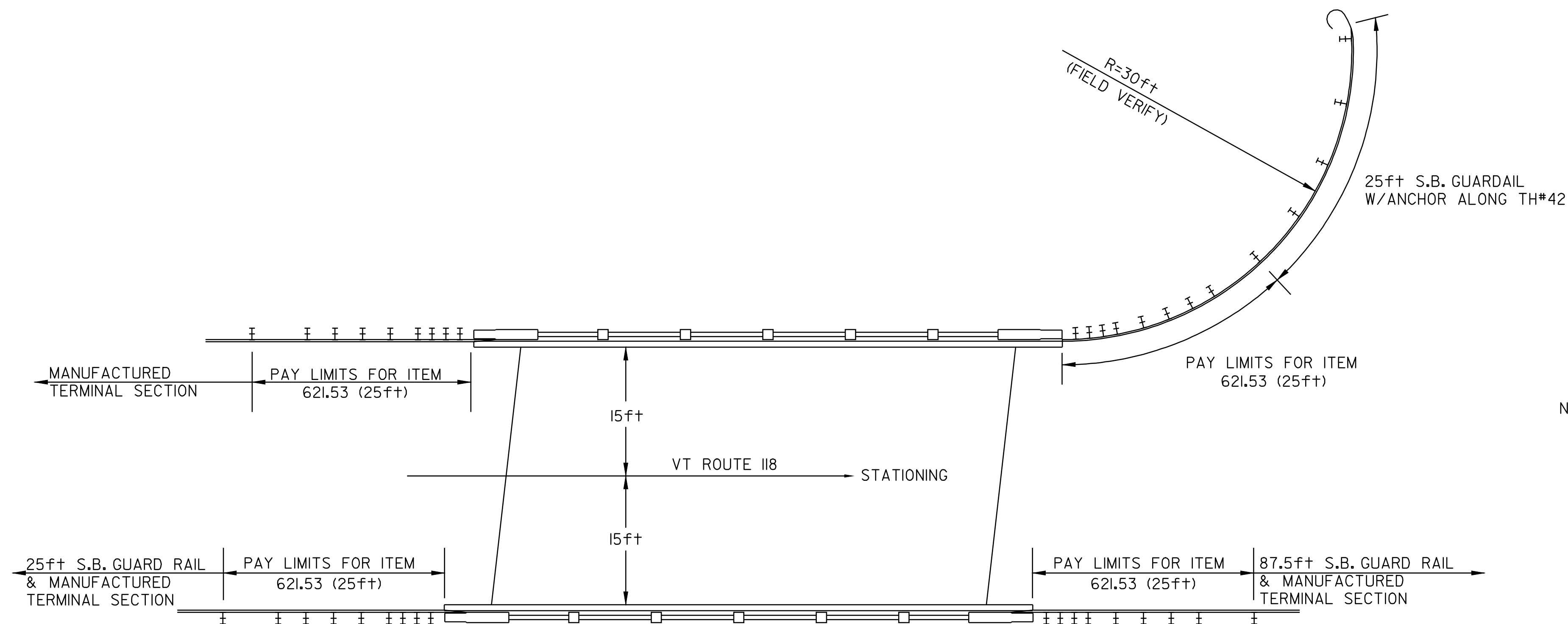
**DETAIL A**



**SECTION A-A**



**DETAIL OF STEEL BEAM GUARD RAIL AT LARGE CULVERTS**



NOTE: SEE SHEET 40 FOR TERMINAL CONNECTOR DETAILS.

**BRIDGE #19**  
**STA 441+14 = MM 8.355**

**BRIDGE  
 DETAIL  
 SHEET  
 #2**

DESIGNED BY	BCE/PJM	DATE	6-06
DRAWN BY	C.E.A., INC.	DATE	6-06
DESIGN FILE NO.	p98cl82.dgn		
PRF FILE	p98cl82br2.1	DATE PLOTTED	10-FEB-2010 14:59
PROJ. NAME	MONTGOMERY - BERKSHIRE		
PROJ. NO.	STP 2125(1)S		
SHEET	37	OF	41 SHEETS