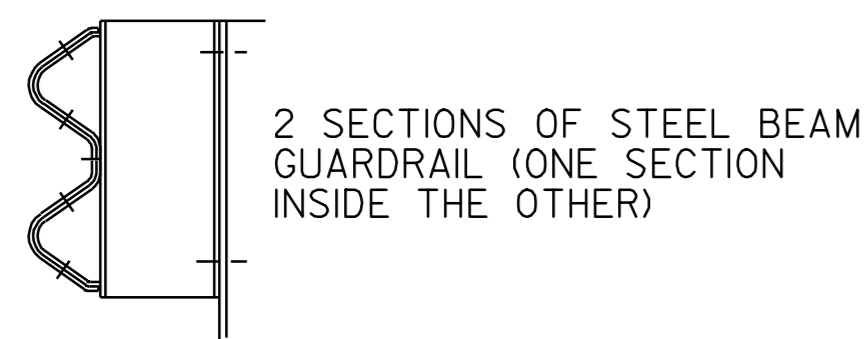
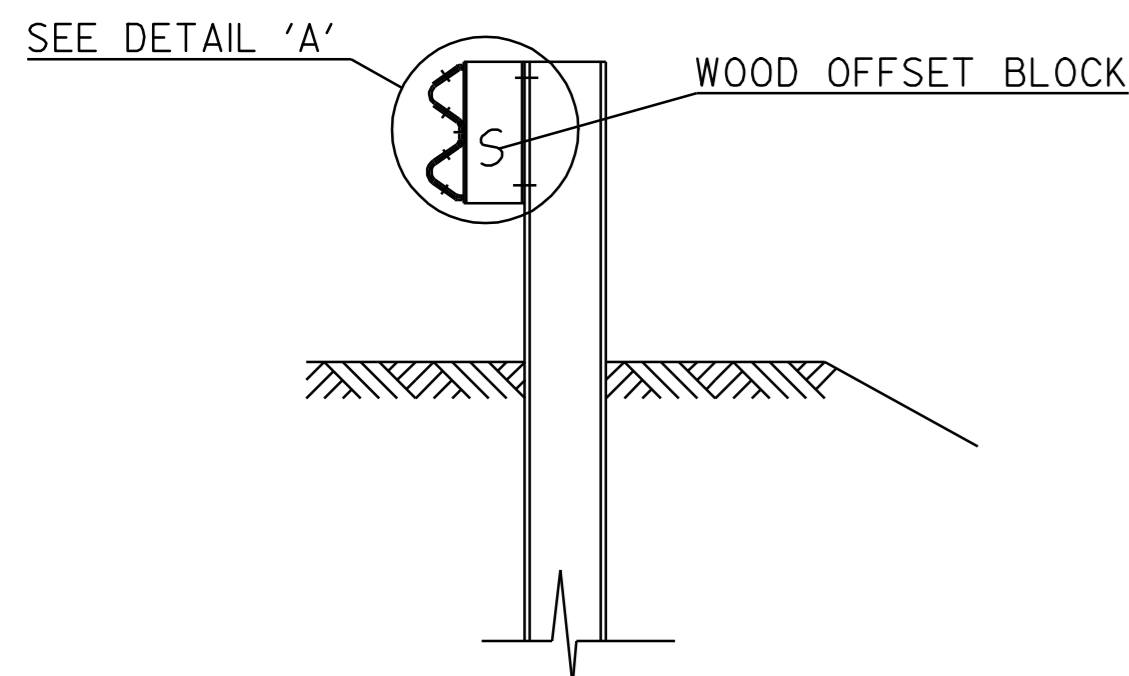


TERMINAL CONNECTOR (MOD.) DETAIL
NOT TO SCALE

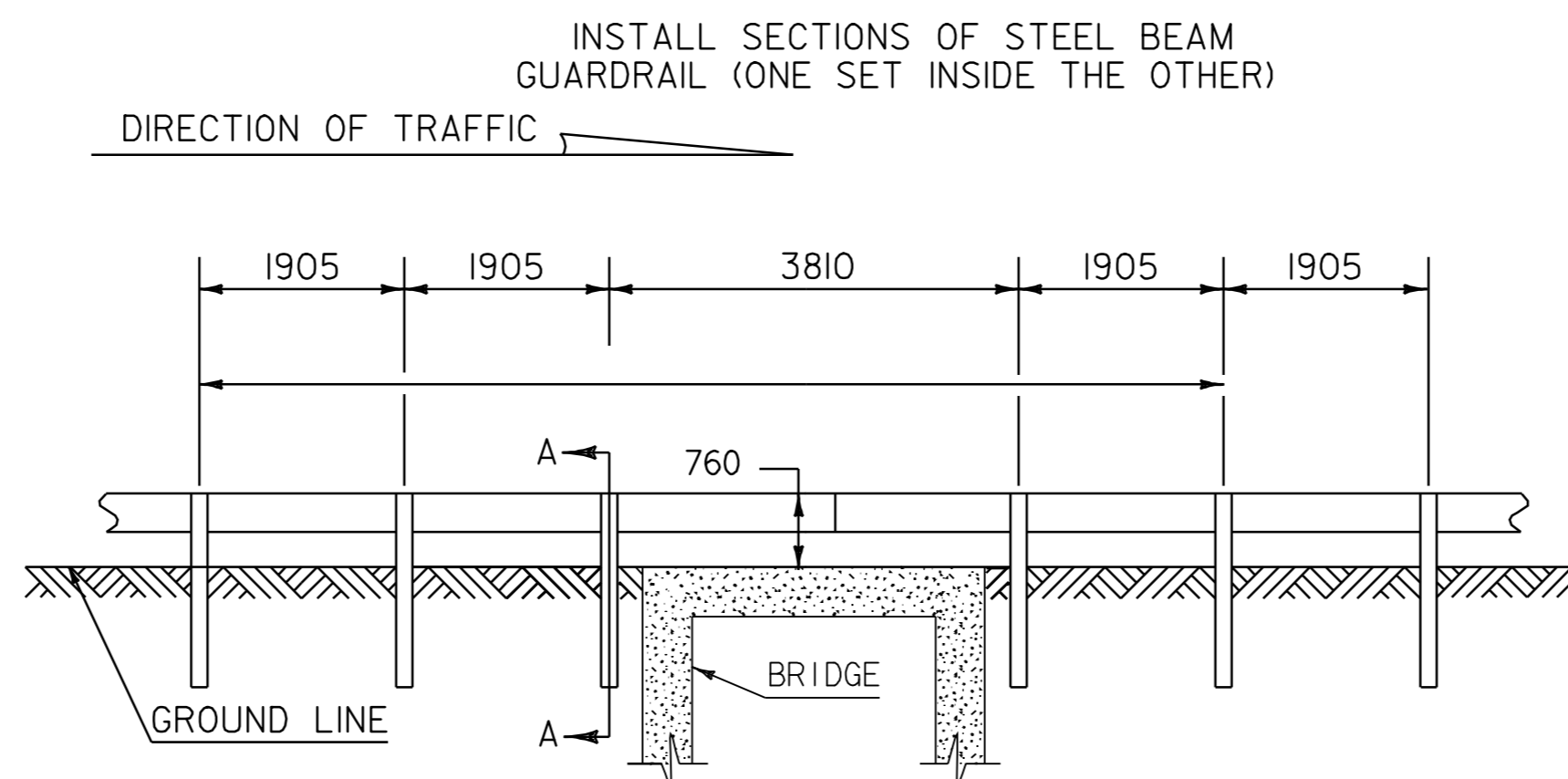


DETAIL A



SECTION A-A

NOT TO SCALE



DETAIL OF STEEL BEAM GUARDRAIL

BRIDGE #164 STA 10+279.08 (MM 6.387)
BRIDGE #168 STA 13+926.31 (MM 8.653)

NOTES

1. SEE STANDARD G-IM & G-IDM FOR STEEL BEAM GUARDRAIL DETAILS.
2. THIS DETAIL TO BE USED AS INDICATED ON THE ITEM DETAIL SHEET OR AS DIRECTED BY THE ENGINEER.
3. THIS WORK SHALL BE PAID FOR AS STEEL BEAM GUARDRAIL AT A PAY FACTOR OF 1.0.

NOTE: ALL DIMENSIONS IN MILLIMETERS EXCEPT AS INDICATED

DATUM	
VERTICAL	_____
HORIZONTAL	_____

BRIDGE DETAIL SHEET #4	PROJECT: BARTON-IRASBURG	PROJECT NO.: STP 2107(I)S
	DESIGN FILE NAME: <u>pave/98c096/pc096.dgn</u>	
	IPARM FILE NAME: <u>pc096br4.i</u>	PLOT DATE: <u>21-MAY-2007 13</u>
	SURVEYED BY: <u>CLD ENGINEERS INC</u>	SURVEY DATE: <u>6/99</u>
	SQUAD LEADER: <u>WRH</u>	DRAWN BY: <u>NLL</u>
		SHEET: <u>47</u> OF <u>49</u>