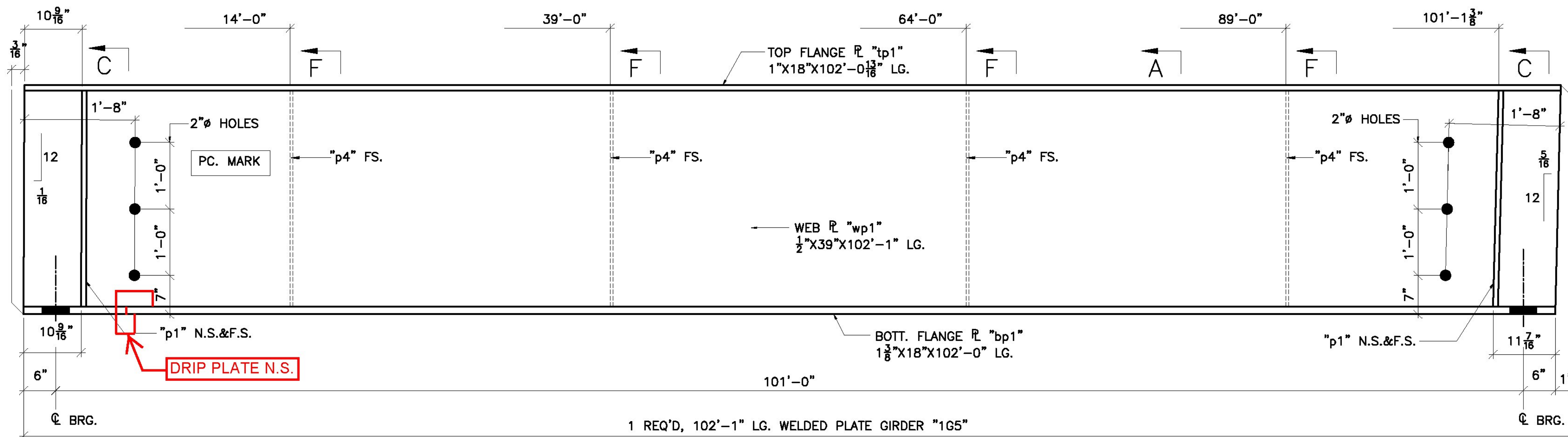


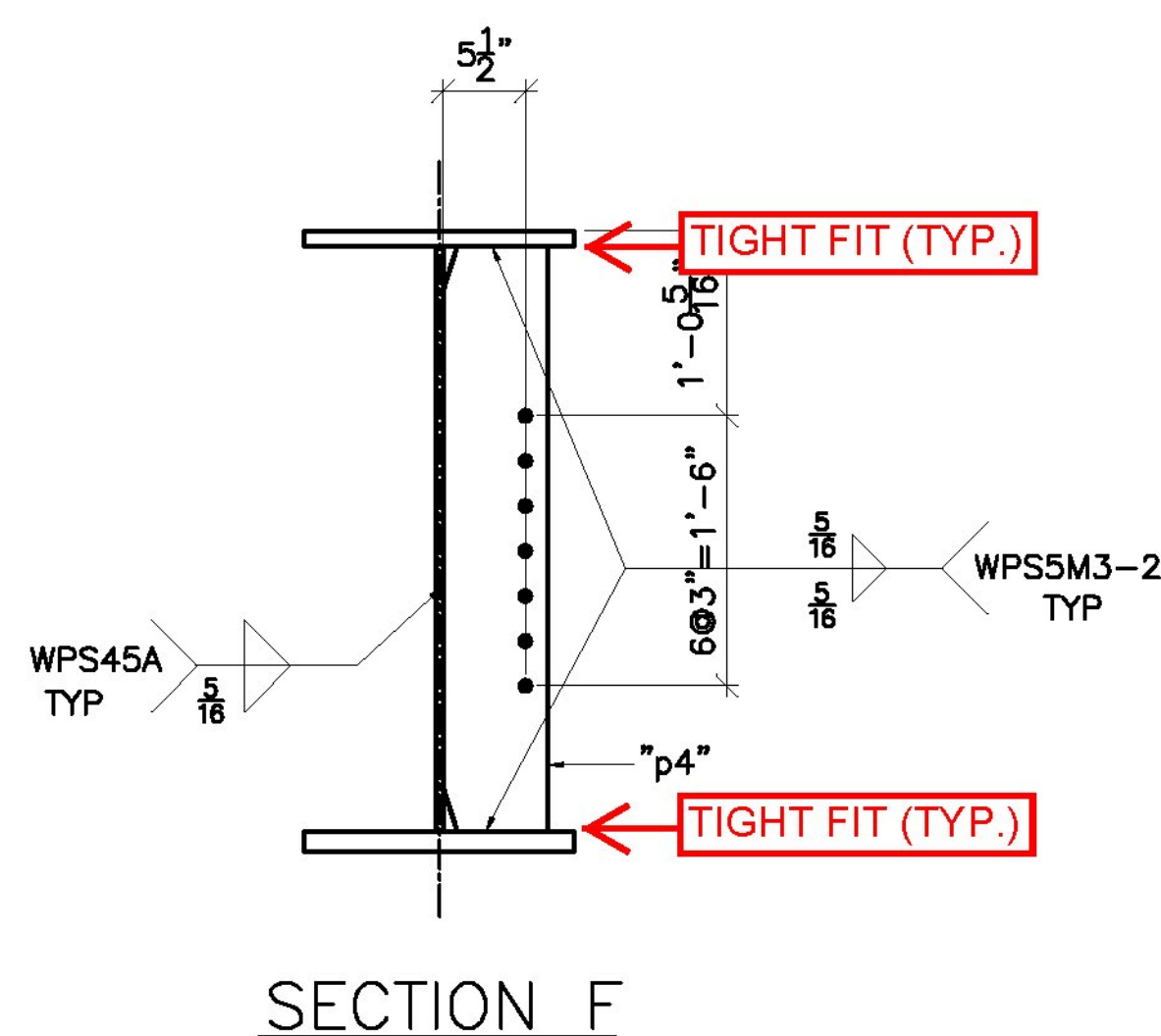
TOP VIEW



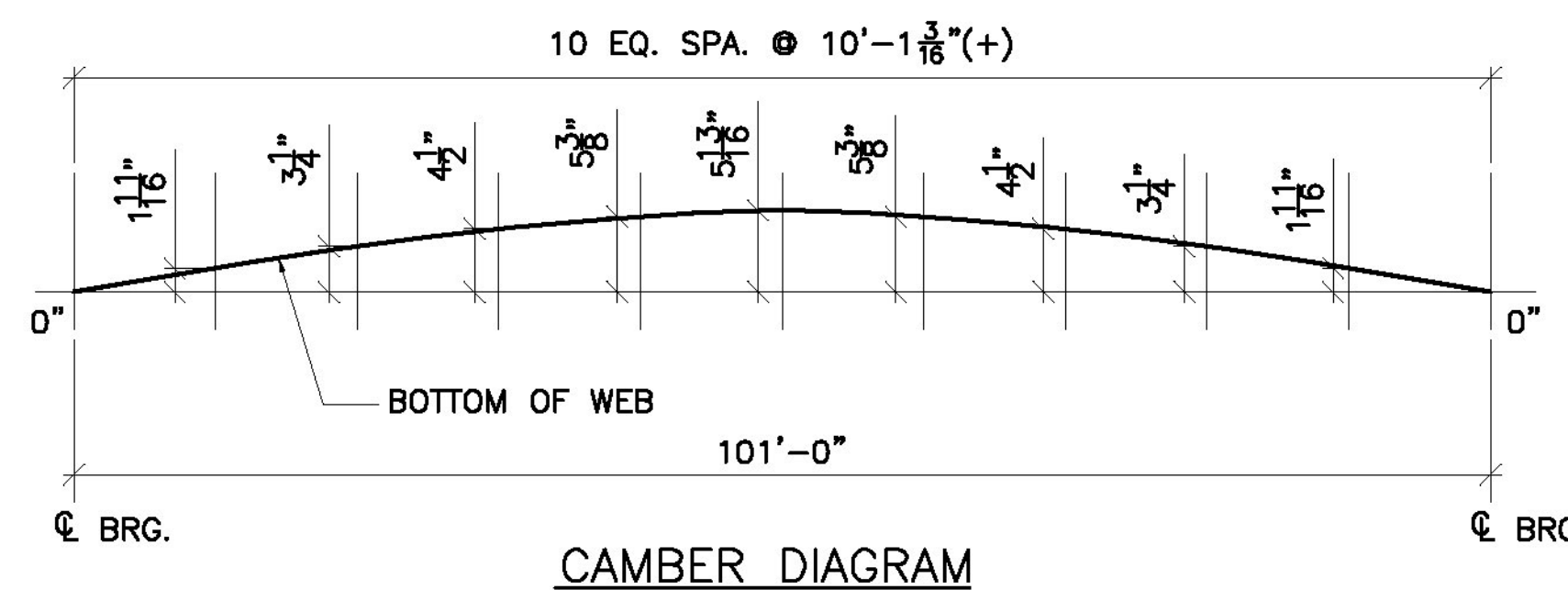
1 REQ'D, 102'-1" LG. WELDED PLATE GIRDER "1G5"



BOTTOM VIEW



SECTION F



CAMBER DIAGRAM

BILL OF MATERIAL

SHIP	SHIP MARK	NO. PCS.	PIECE MARK	DESCRIPTION	LENGTH	REMARKS	WT.
1	1G5			BRIDGE GIRDER			
		1	wp1	R 1/2 X 39	102'-1	*	6769
		1	tp1	R 1 X 18	102'-0 1/8	*	6252
		1	bp1	R 1 1/2 X 18	102'-0	*	8591
		4	p1	SEE SHT. 6			
		4	p4	SEE SHT. 6			

GIRDER WT: 22.091

* CVN (SEE NOTES ON DWG. NO. E1)

Vermont Agency of Transportation

RECEIVED

CK'D BY D. PETERSON OK'D BY C. CARLSON

08/20/2012

RESUBMIT APPROVED AS NOTED

BY C. CARLSON DATE 12/14/2012

SEE SHEET 1 FOR SECTION A & C

SEE SHEET 6 FOR DETAILS NOT SHOWN

FINISH		NO		DATE		DESCRIPTION		BY	
MATERIAL									
ASHTO M270 (ASTM A709) GRADE 50									
HOLES									
15/16" U.O.N.									
ELECTRODES									
PER WFS									
WELDS									
PER WFS									
SURFACE PREP									
REVISIONS									
		ADVANCED RESOURCES & CONST. ENTERPRISES, INCORPORATED P.O. BOX 120 KINGFIELD, ME. 04947 PHONE: (207) 265-2646 - FAX: (207) 265-4054							
DRAFTER JAC DATE 11/12/12 CHECKED JS JOB # 12-175		GIRDER DETAILS STATE OF VERMONT, TOWN OF JOHNSBURY, BRIDGE NO. 106 COUNTY OF CALEDONIA, US ROUTE 2 - PRINCIPAL ARTERIAL G.C. WINTERSSET, INC.						PROJECT NO. BRJ 028-4(25)S DWG. NO. 5	