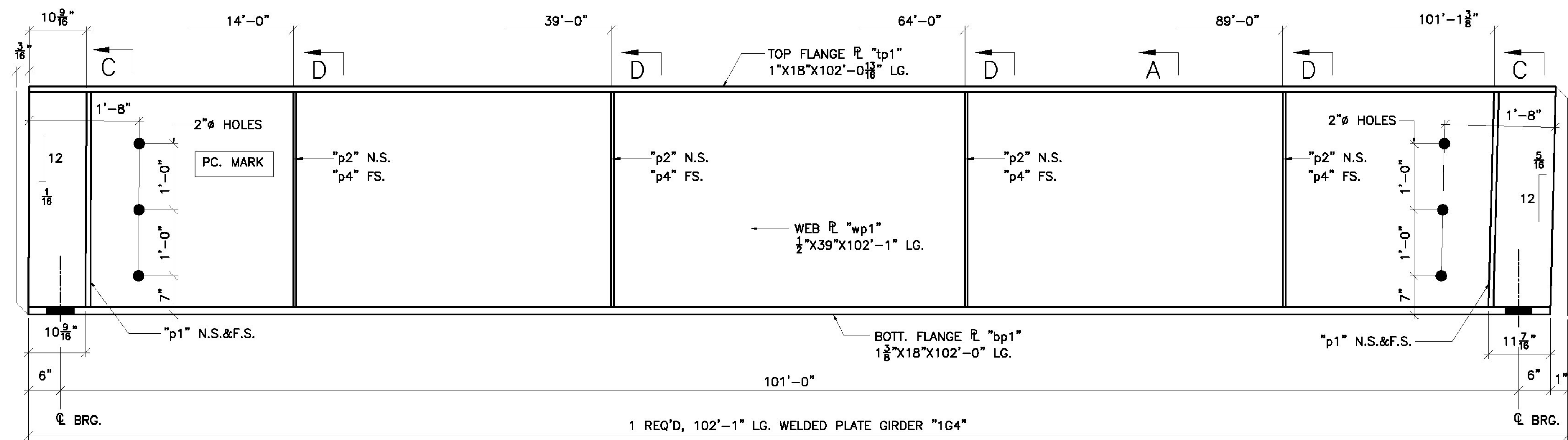
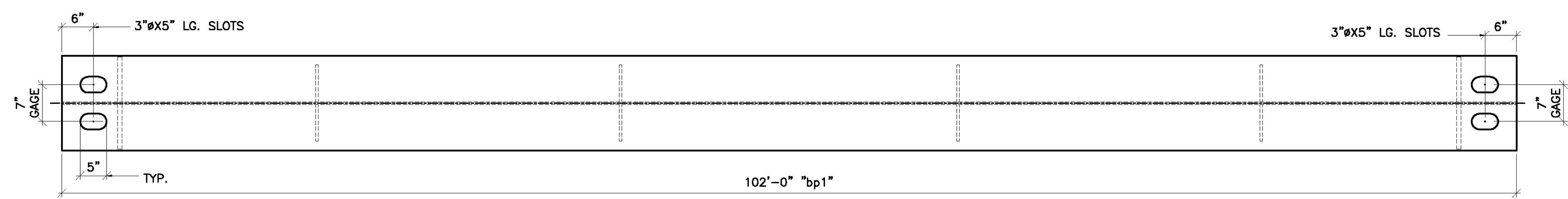


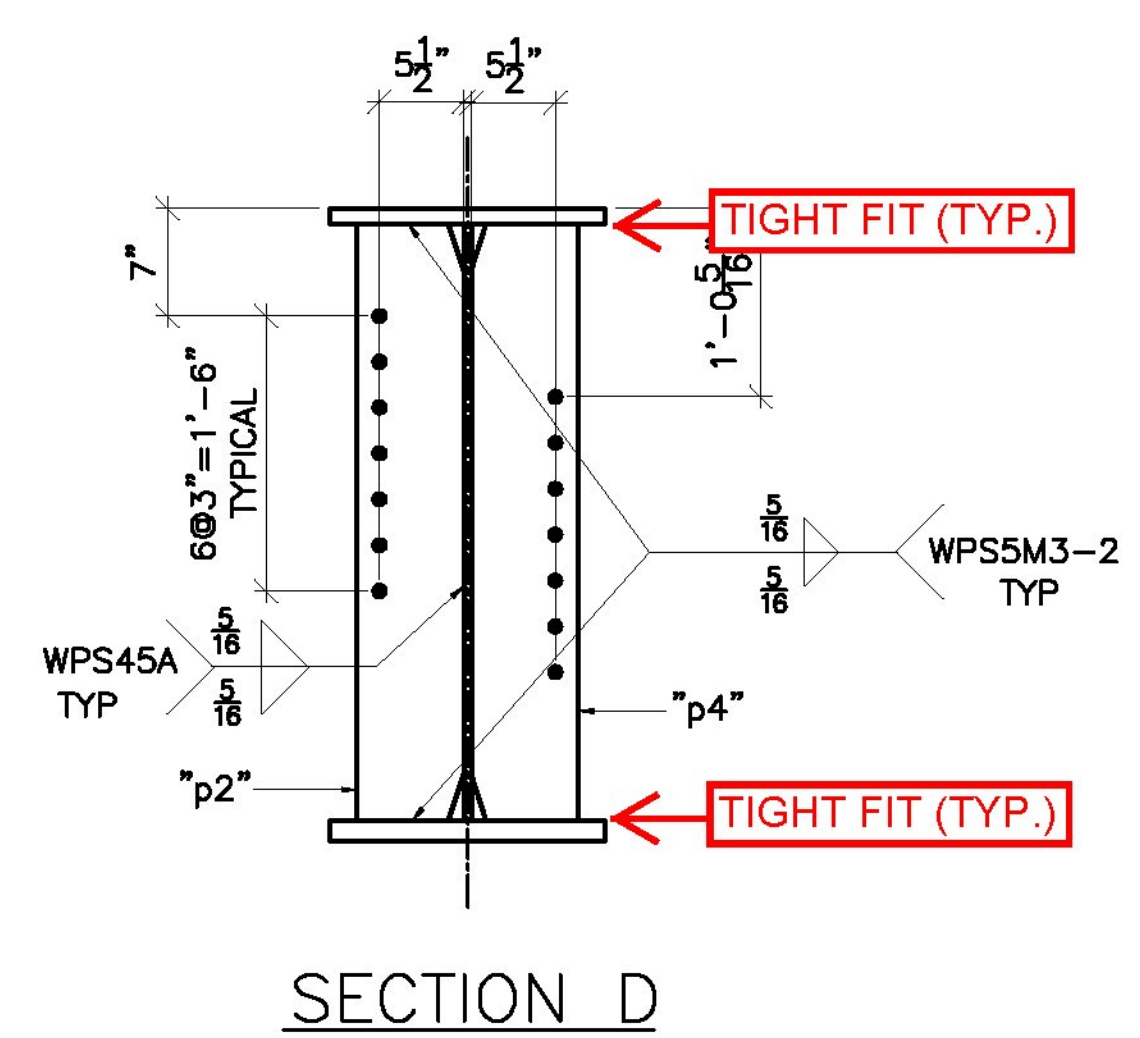
TOP VIEW



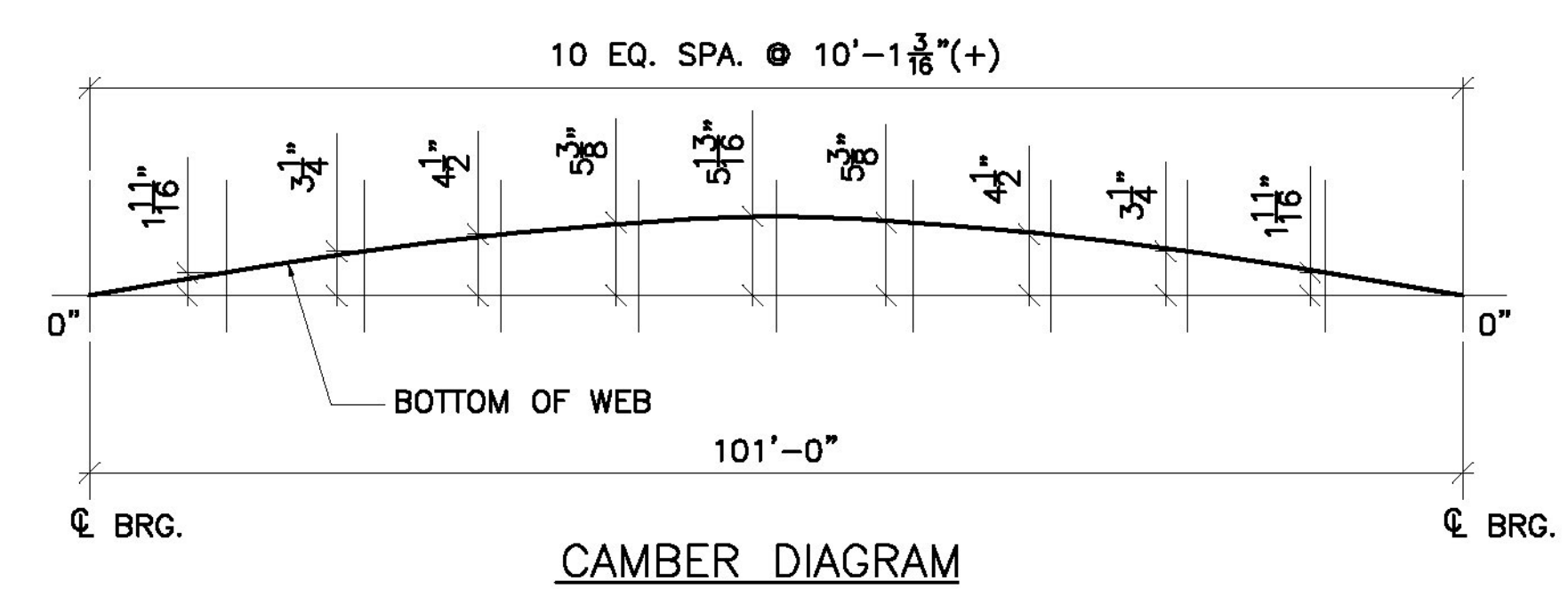
1 REQ'D, 102'-1" LG. WELDED PLATE GIRDER "1G4"



BOTTOM VIEW



SECTION D



CAMBER DIAGRAM

BILL OF MATERIAL

SHIP	SHIP MARK	NO. PCS.	PIECE MARK	DESCRIPTION	LENGTH	REMARKS	WT.
1	1G4			BRIDGE GIRDER			
		1	wp1	PL 1/2 X 39	102'-1	*	6769
		1	tp1	PL 1 X 18	102'-0 1/8	*	6252
		1	bp1	PL 1 1/8 X 18	102'-0	*	8591
		4	p1	SEE SHT. 6			
		4	p2	SEE SHT. 6			
		4	p4	SEE SHT. 6			

GIRDER WT: 22,244
 * CVN (SEE NOTES ON DWG. NO. E1)

Vermont Agency of Transportation
RECEIVED
 CK'D BY D. PETERSON OK'D BY C. CARLSON
 08/20/2012
 RESUBMIT APPROVED AS NOTED
 BY C. CARLSON DATE 12/14/2012

SEE SHEET 1 FOR SECTION A & C
 SEE SHEET 6 FOR DETAILS NOT SHOWN

FINISH		NO.		DATE		DESCRIPTION		BY	
MATERIAL		ASHTO M270 (ASTM A709) GRADE 50							
HOLES		15/16" U.O.N.							
ELECTRODES		PER WPS							
WELDS		PER WPS							
SURFACE PREP									
REVISIONS									
ADVANCED RESOURCES & CONST. ENTERPRISES, INCORPORATED P.O. BOX 120 KINGFIELD, ME. 04947 PHONE: (207) 265-2646 - FAX: (207) 265-4054									
DRAFTER		JAC		PROJECT NO.		GIRDER DETAILS		BRF 028-4(25)S	
DATE		11/12/12		STATE OF VERMONT, TOWN OF JOHNSBURY, BRIDGE NO. 106		COUNTY OF CALEDONIA, US ROUTE 2 - PRINCIPAL ARTERIAL		DWG. NO.	
CHECKED		JS		G.C.		WINTERSSET, INC.		4	
JOB #		12-175							