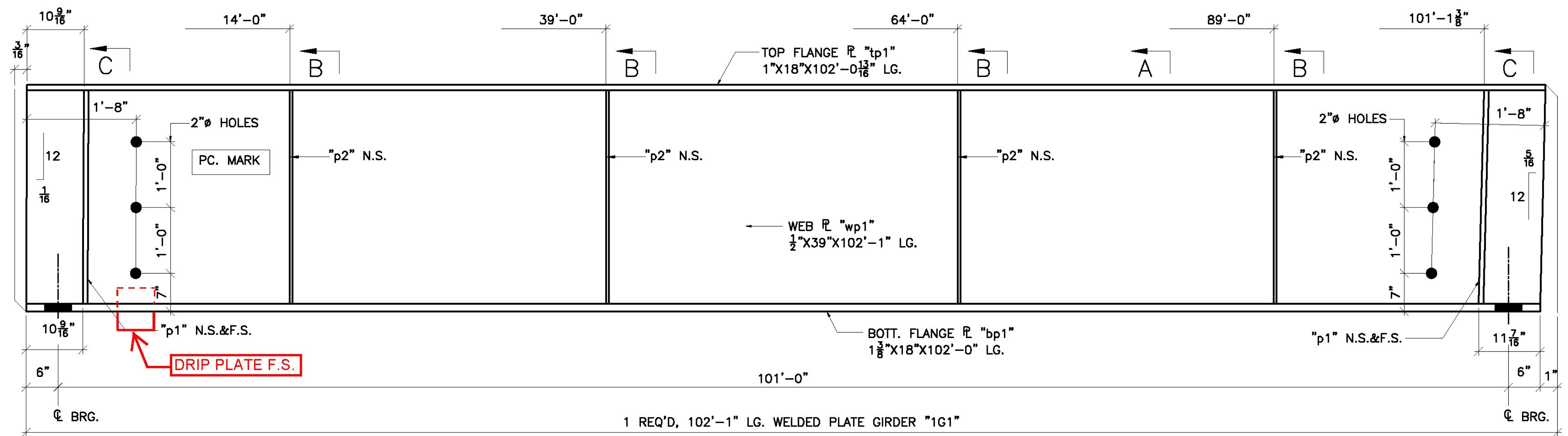
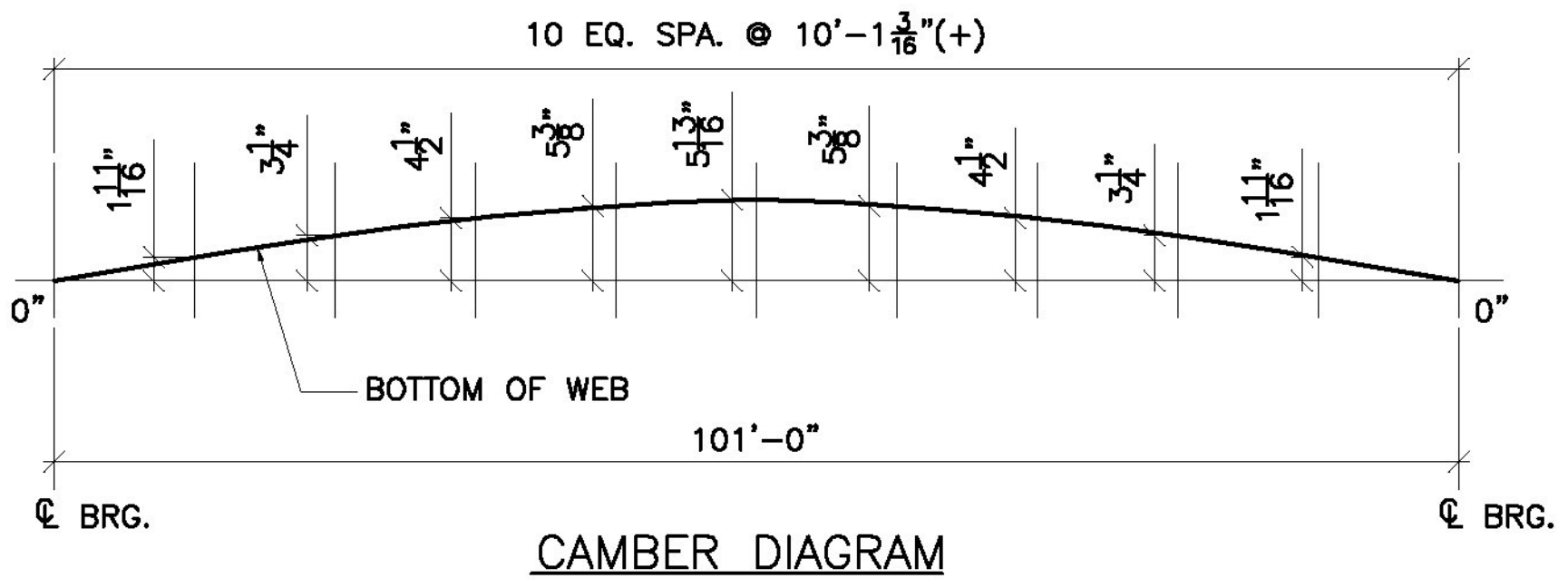
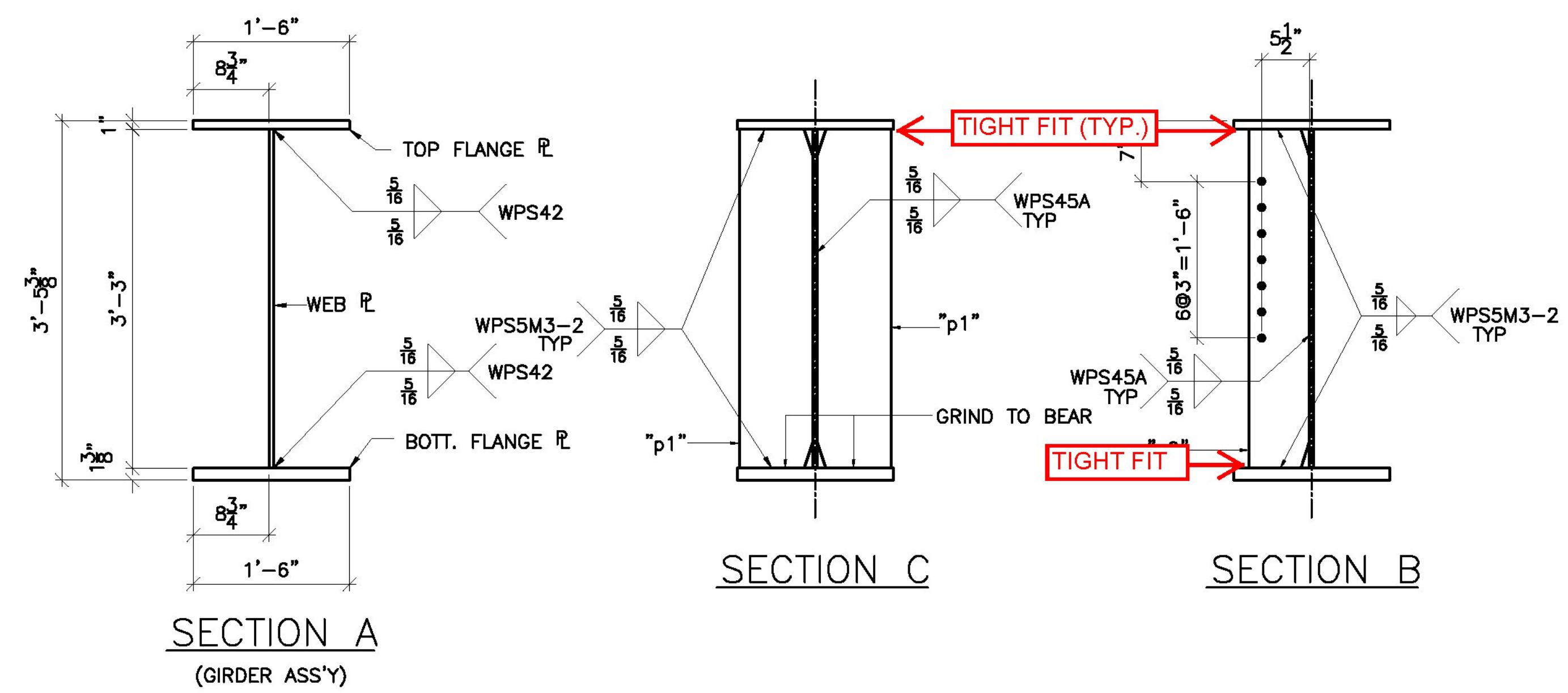
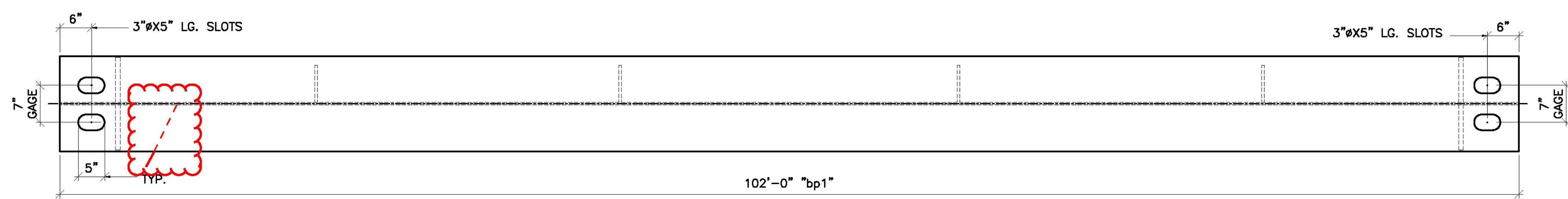


TOP VIEW



BOTTOM VIEW



BILL OF MATERIAL

SHIP	SHIP MARK	NO. PCS.	PIECE MARK	DESCRIPTION	LENGTH	REMARKS	WT.
1	1G1			BRIDGE GIRDER			
		1	wp1	R 1/2 X 39	102'-1	*	6769
		1	tp1	R 1 X 18	102'-0 13/16	*	8252
		1	bp1	R 1 3/8 X 18	102'-0	*	8581
		4	p1	SEE SHT. 6			
		4	p2	SEE SHT. 6			

GIRDER WT: 22,091

\* CVN (SEE NOTES ON DWG. NO. E1)

Vermont Agency of Transportation  
**RECEIVED**

CK'D BY D. PETERSON OK'D BY C. CARLSON

08/20/2012

RESUBMIT APPROVED AS NOTED  
BY C. CARLSON DATE 12/14/2012

SEE SHEET 6 FOR DETAILS NOT SHOWN

FINISH			
MATERIAL AASHTO M270 (ASTM A708) GRADE 50			
HOLES 15/16" U.O.N.			
ELECTRODES			
WELDS PER WPS			
SURFACE PREP			
REVISIONS			
NO.	DATE	DESCRIPTION	BY
		<b>ADVANCED RESOURCES &amp; CONST. ENTERPRISES, INCORPORATED</b> P.O. BOX 120 KINGFIELD, ME. 04947 PHONE: (207) 285-2848 - FAX: (207) 285-4054	
DRAFTER JAC	DATE 11/12/12	GIRDER DETAILS	PROJECT NO. BRF 028-4(25)S
CHECKED JS		STATE OF VERMONT, TOWN OF JOHNSBURY, BRIDGE NO. 108 COUNTY OF CALEDONIA, US ROUTE 2 - PRINCIPAL ARTERIAL	DWG. NO.
JOB # 12-175		G.C. WINTERSET, INC.	1