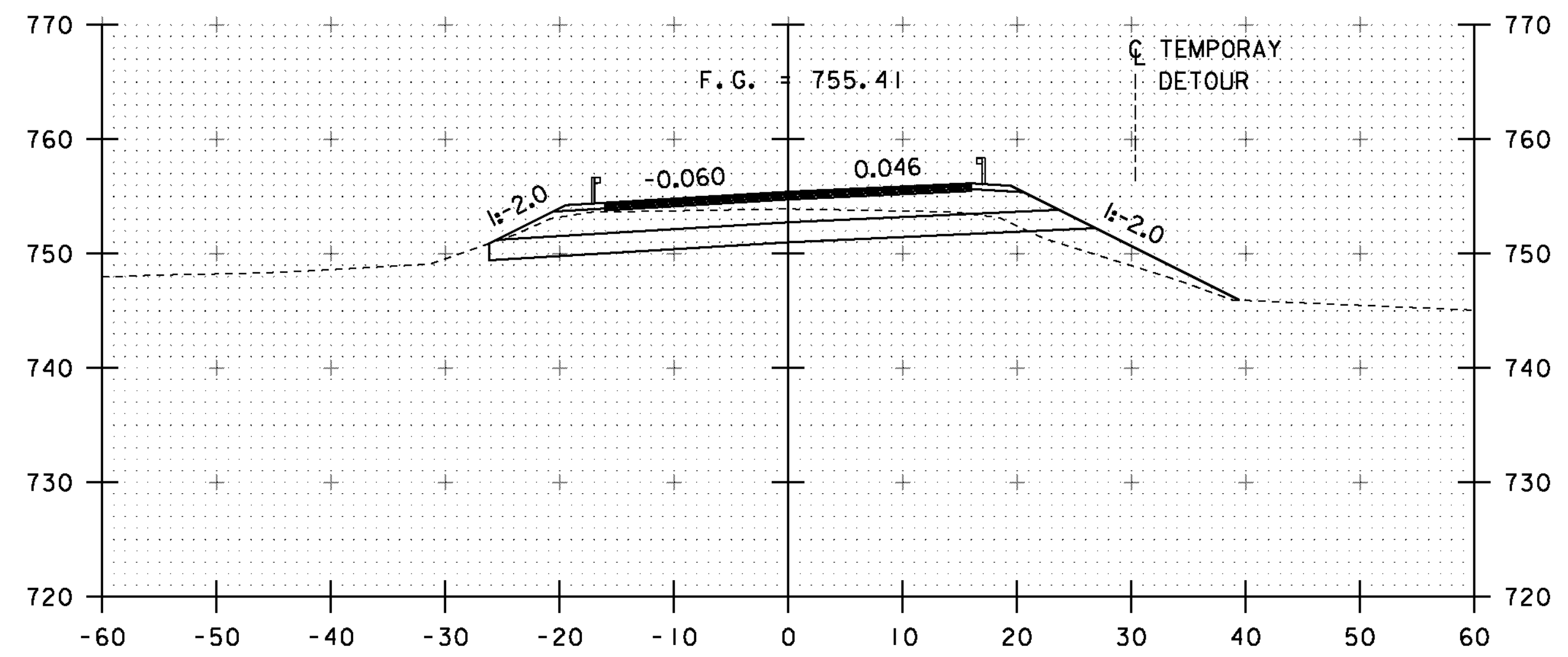
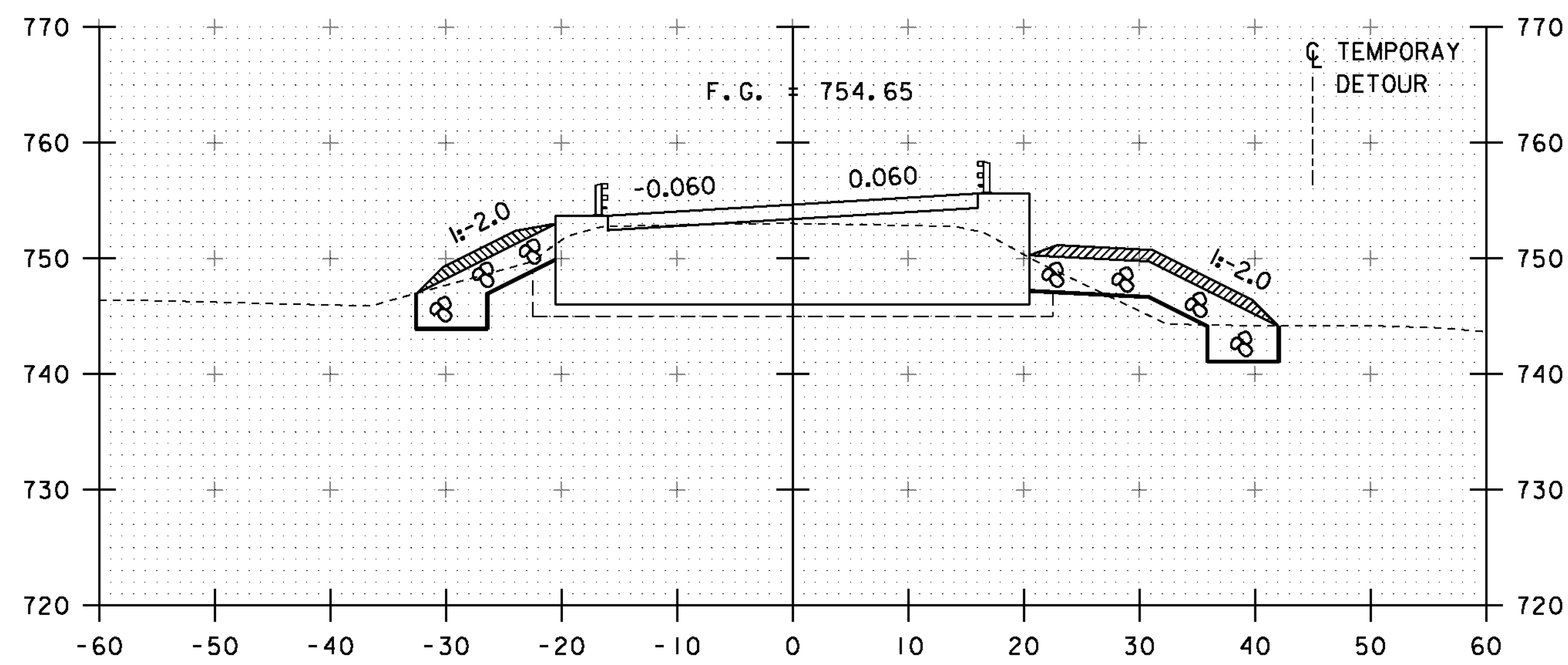


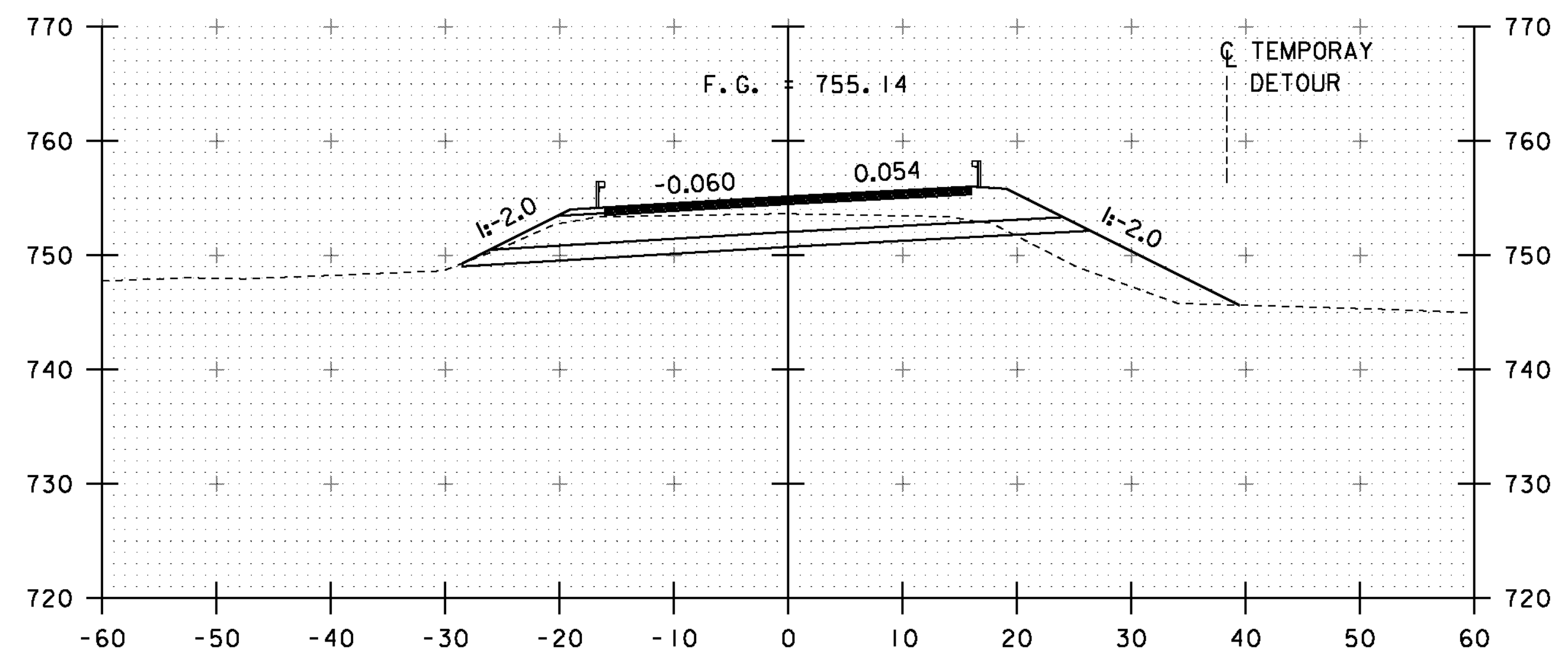
380+75



381+15

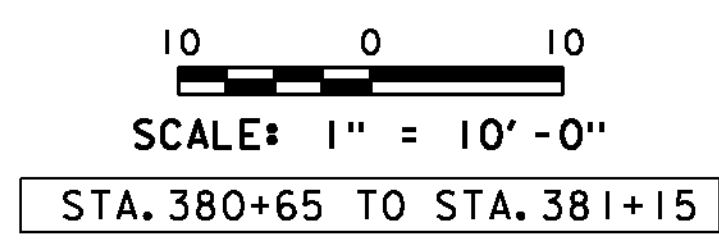


380+65



381+00

STA. 380+64.95
END BRIDGE



| | |
|--------------------------------|------------------------|
| PROJECT NAME: ST. JOHNSBURY | PLOT DATE: 28-AUG-2012 |
| PROJECT NUMBER: BRF 028-4(25)S | DRAWN BY: C. MOONEY |
| FILE NAME: s98b320xsl.dgn | CHECKED BY: C. CARLSON |
| PROJECT LEADER: C. CARLSON | SHEET 36 OF 62 |
| DESIGNED BY: H. SALLS | |
| ROADWAY CROSS SECTIONS 6 | |