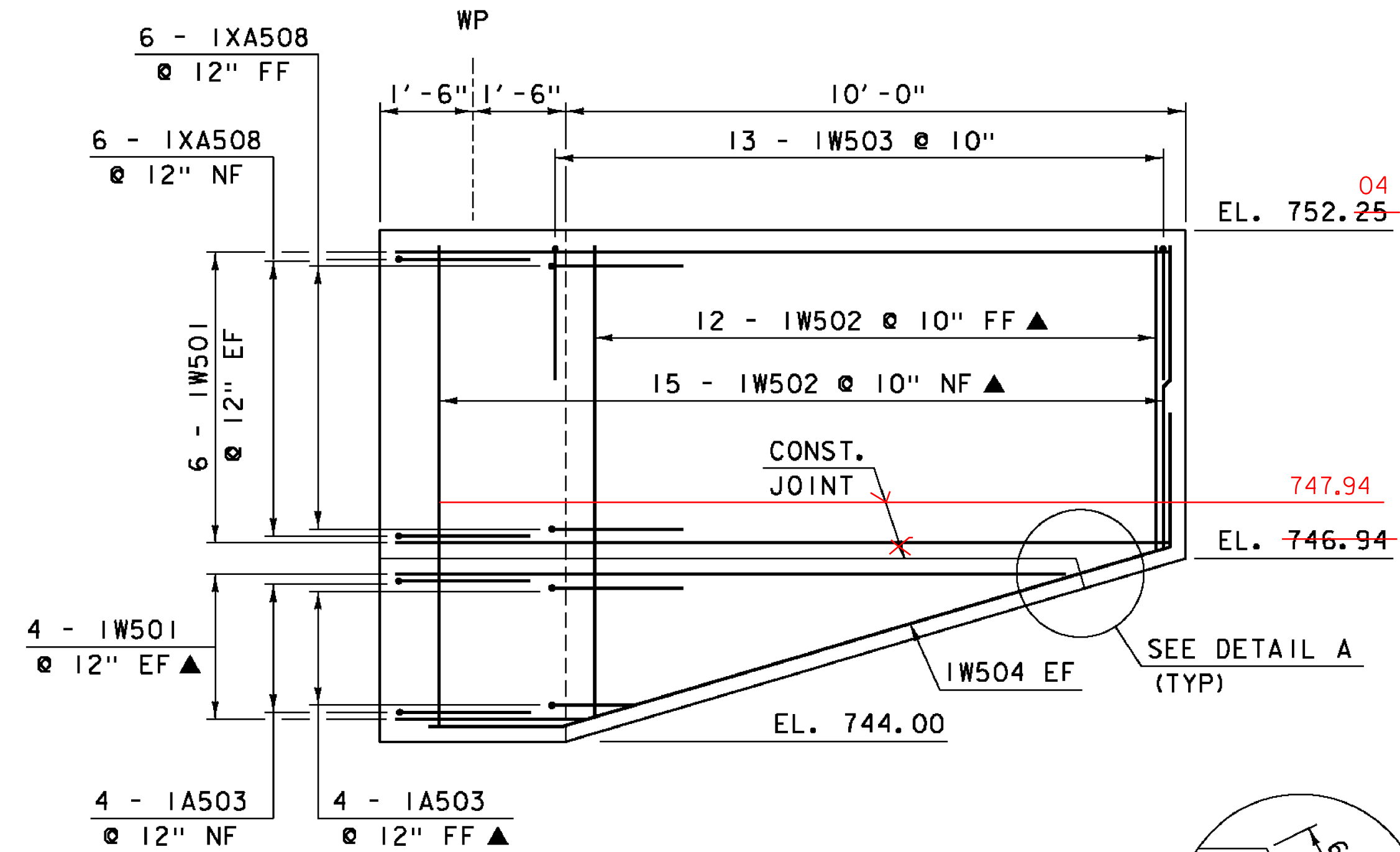
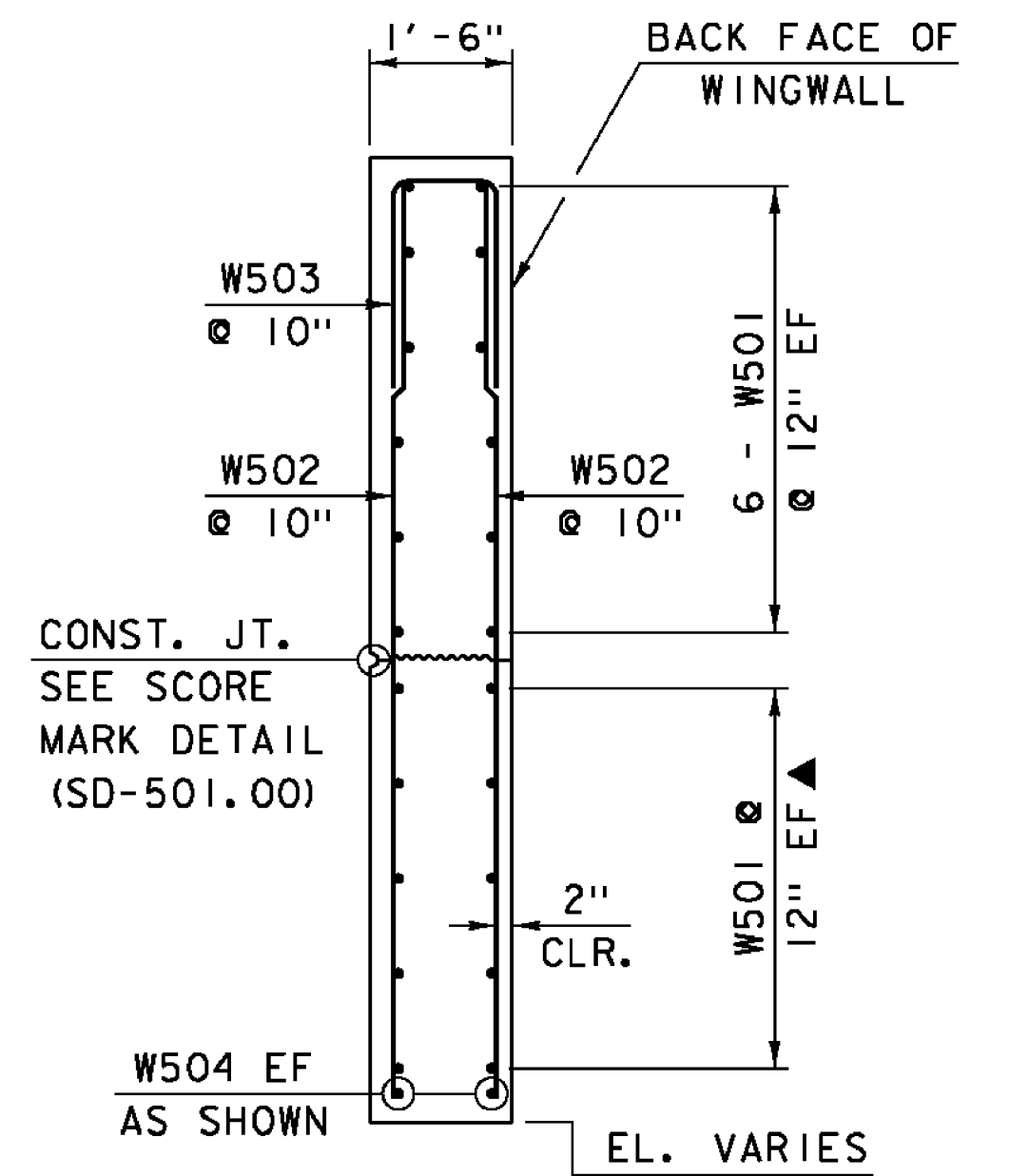


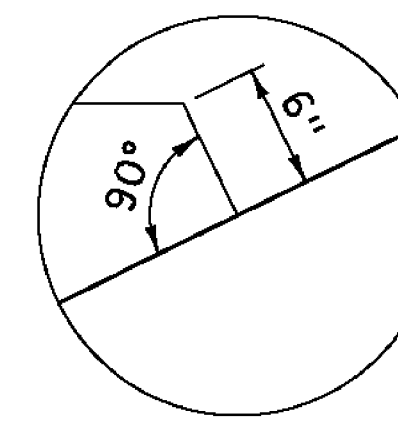
WINGWALL 2 ELEVATION
SCALE 1/2" = 1'-0"



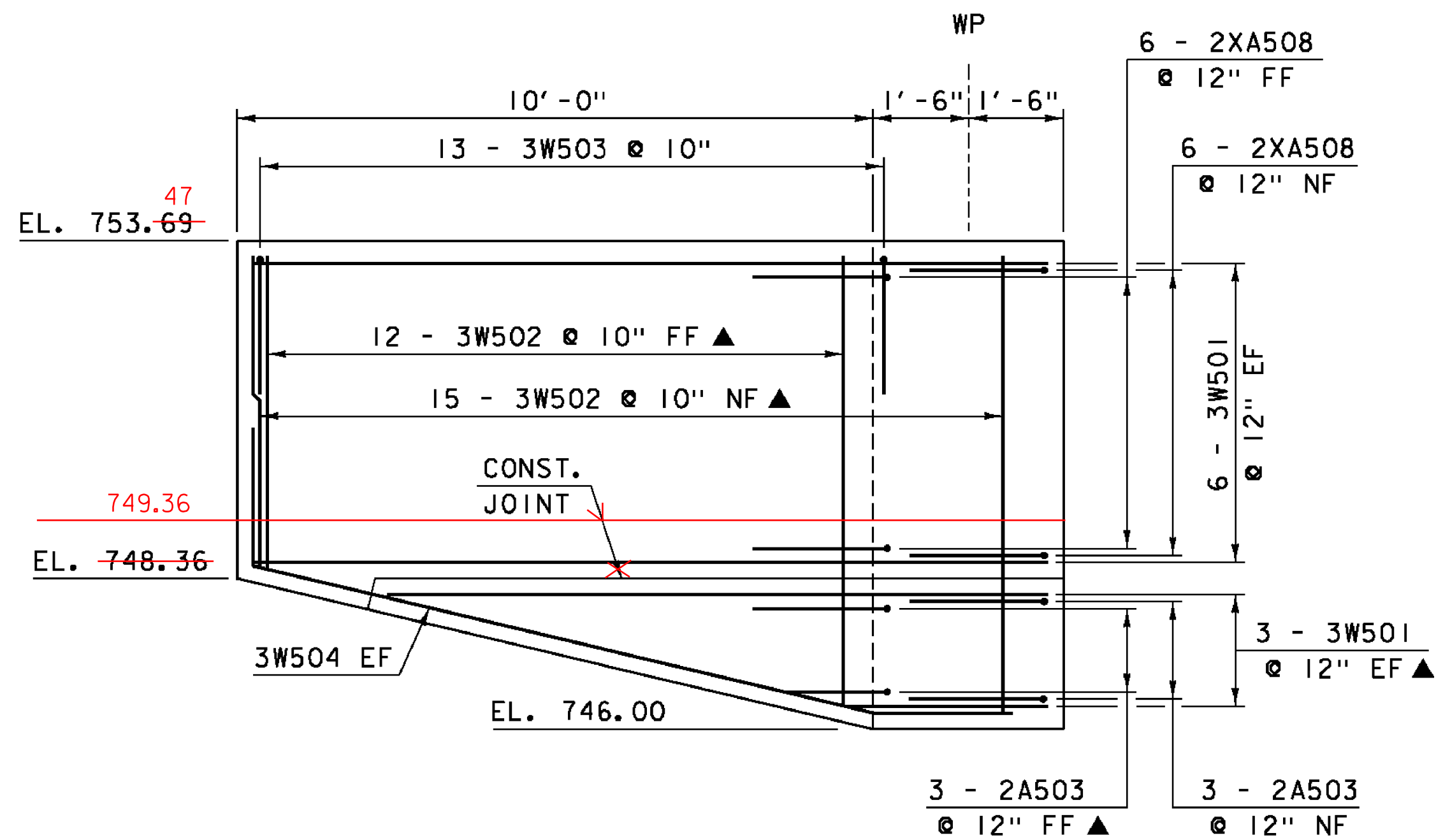
WINGWALL 1 ELEVATION
SCALE 1/2" = 1'-0"



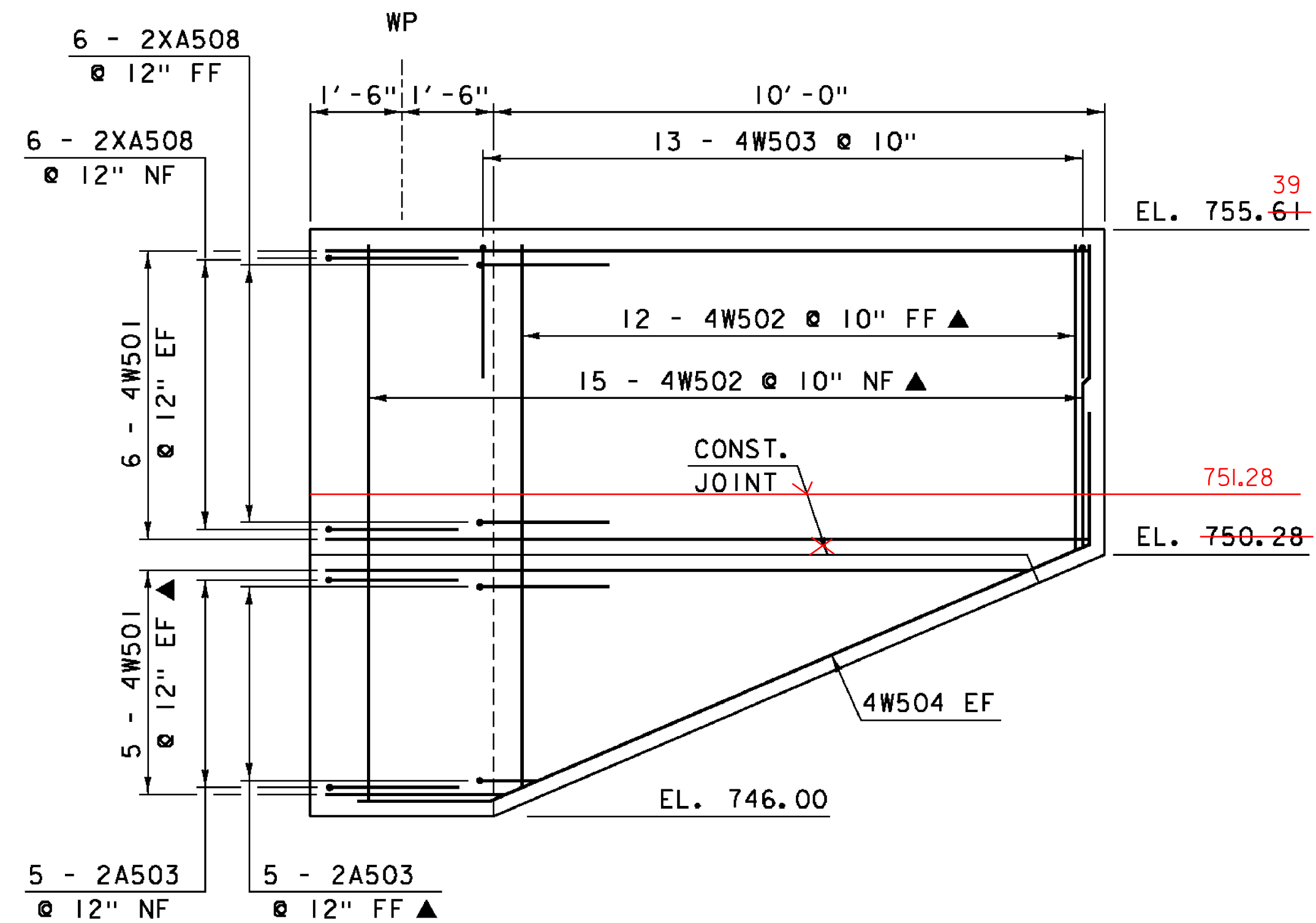
WINGWALL TYPICAL SECTION
SCALE 1/2" = 1'-0"



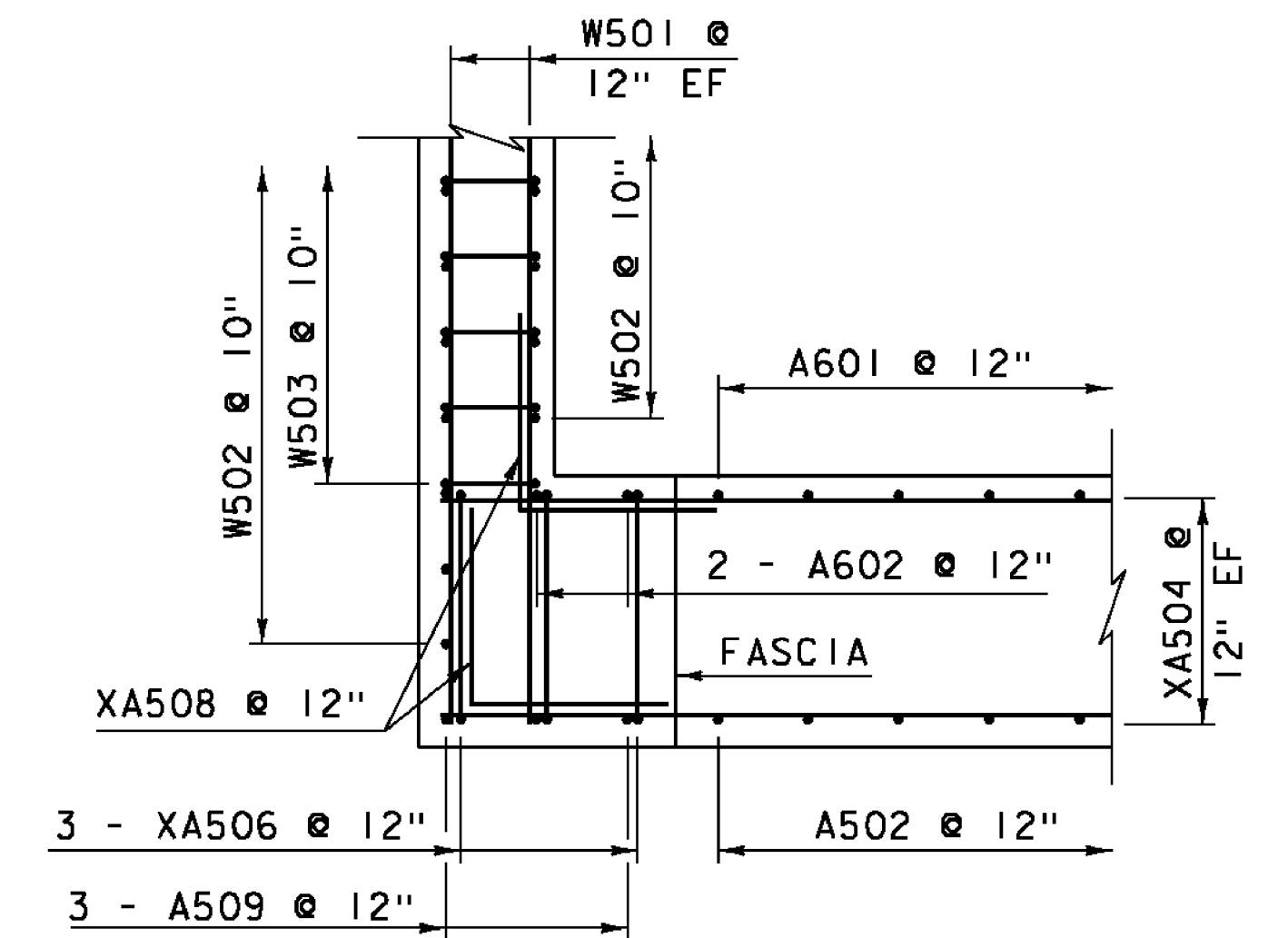
DETAIL A
NTS



WINGWALL 3 ELEVATION
SCALE 1/2" = 1'-0"



WINGWALL 4 ELEVATION
SCALE 1/2" = 1'-0"



TYPICAL CORNER DETAIL
SCALE 1/2" = 1'-0"

PROJECT NAME: ST. JOHNSBURY	PLOT DATE: 28-AUG-2012
PROJECT NUMBER: BRF 028-4(25)S	DRAWN BY: R. PELLETT
FILE NAME: s98b320sub.dgn	CHECKED BY: C. CARLSON
PROJECT LEADER: C. CARLSON	SHEET 29 OF 62
DESIGNED BY: H. SALLS	
WINGWALL DETAILS	