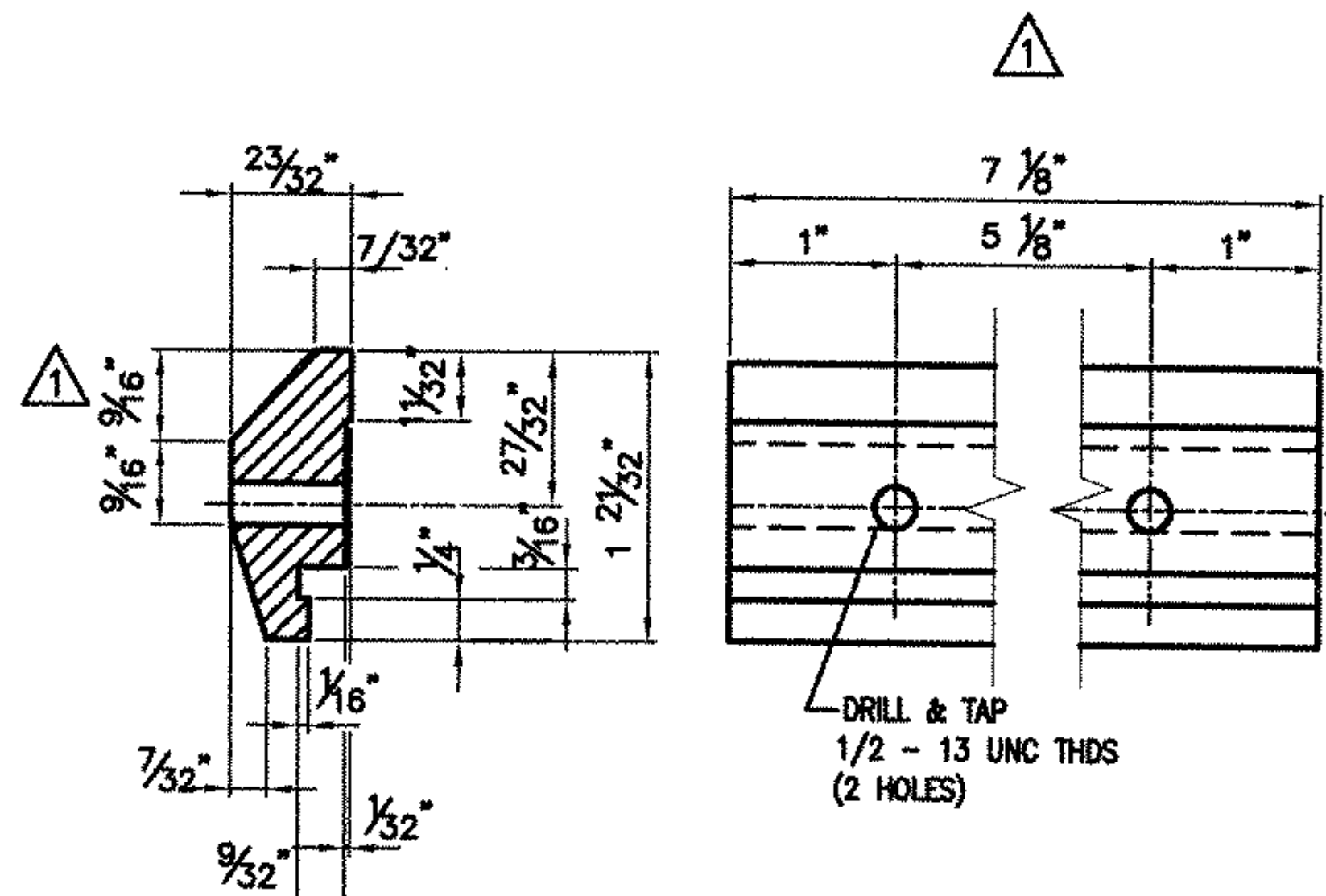
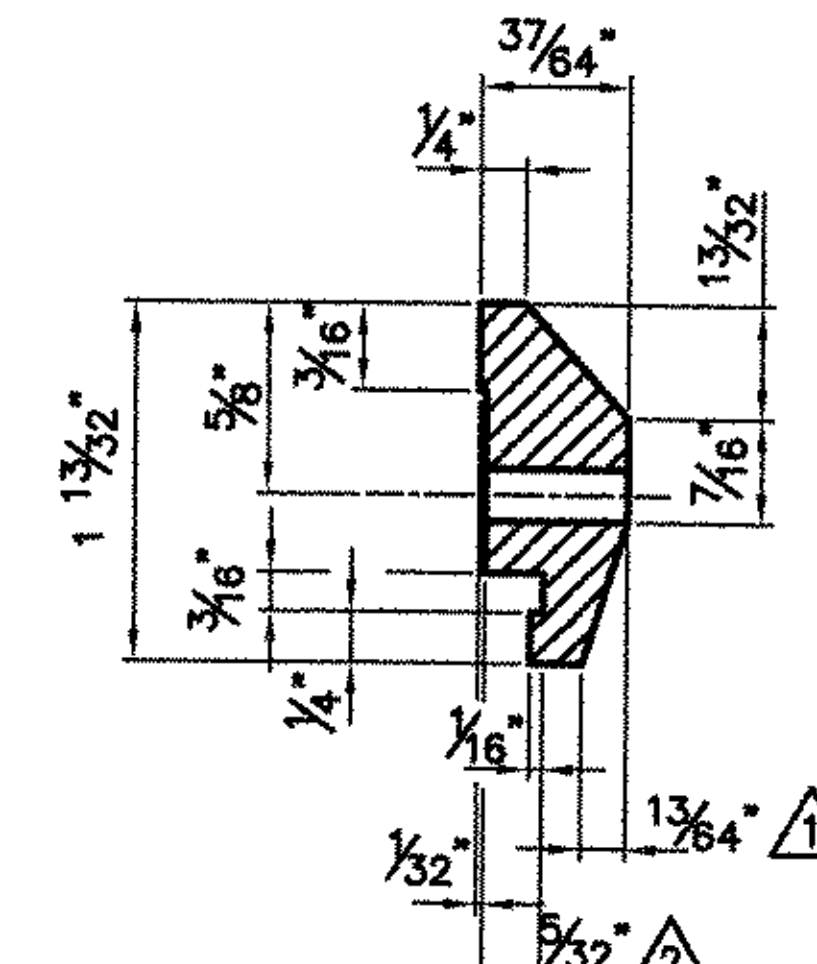


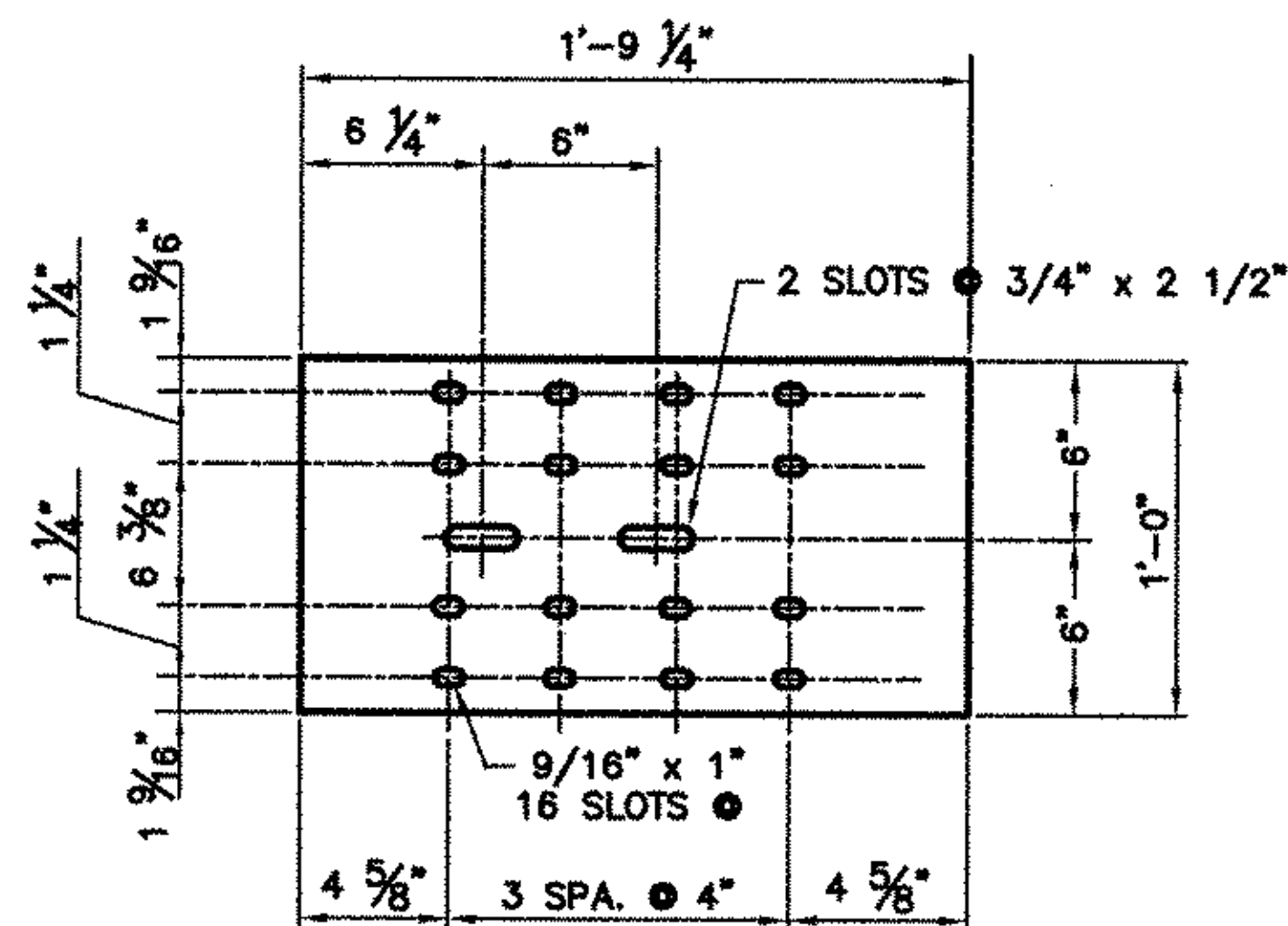
**2 ~ REQ'D. ALUM  
END CAPS EC2  
#19345**



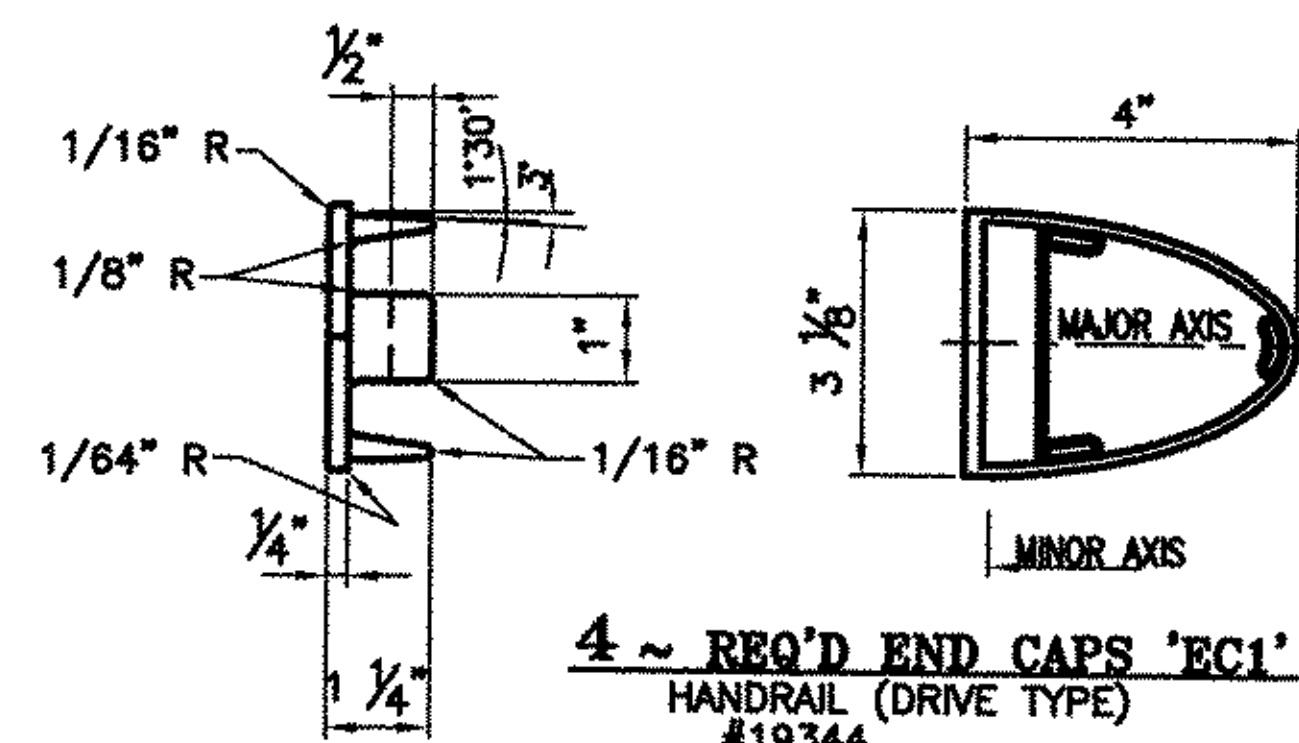
**124 ~ REQ'D CLAMP  
BAR CB-03-A  
(BARRIER RAIL - 4 PER POST)  
#19447**



**32 ~ REQ'D CLAMP  
BAR CB-01-H  
(HANDRAIL - 2 PER POST)  
#28596**



**3 REQ'D. ~ BACK-UP PLATE BUP1  
(1/4" THK. PLATE ~ A36 - GALV.)**



**4 ~ REQ'D END CAPS 'EC1'  
HANDRAIL (DRIVE TYPE)  
#19344**

**ANODIZED**  
(SEE NOTES ON LB1)

BRIDGE No. 20	PROJECT No. BHF 030-2(19)S	ITEM No: 621.74
APPROVED: _____	REC'D APPROVAL _____	DRAWING _____
<b>L.B. FOSTER COMPANY</b> 1016 GREENTREE ROAD PITTSBURGH, PENNSYLVANIA 15220		
FOR: BECK & BELLUCCI, INCORPORATED VERMONT AGENCY OF TRANSPORTATION		
TOWN OF CAMBRIDGE, COUNTY LAMOILLE		
BRIDGE RAILING FOR VT15 (MINOR ARTERIAL) OVER LAMOILLE RIVER		
3L ALUMINUM APPROACH RAIL ~ MISC DETAILS		
MADE CMS DATE 01/31/07	JOB No. ARO384	CUST. No. _____
CHECK_BLIJ DATE 03/01/07	DRAWING LB17 (LAST)	REV. No. 2

REV.	DESCRIPTION	BY	DATE
2	REVISED PER APPROVAL MARKUP	CMS	03 27 07
1	REVISED PER APPROVAL MARKUP	CMS	03 23 07

122 BR