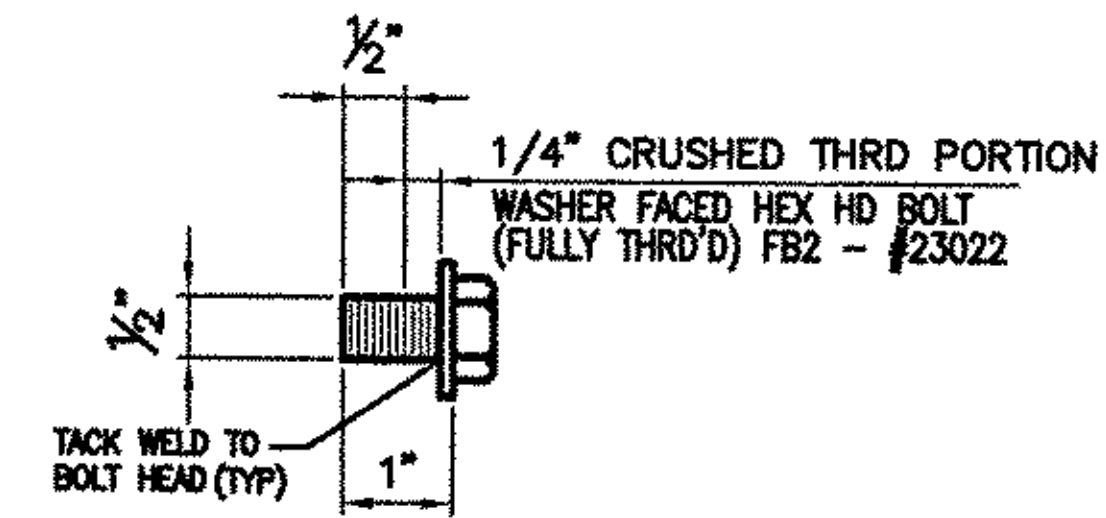
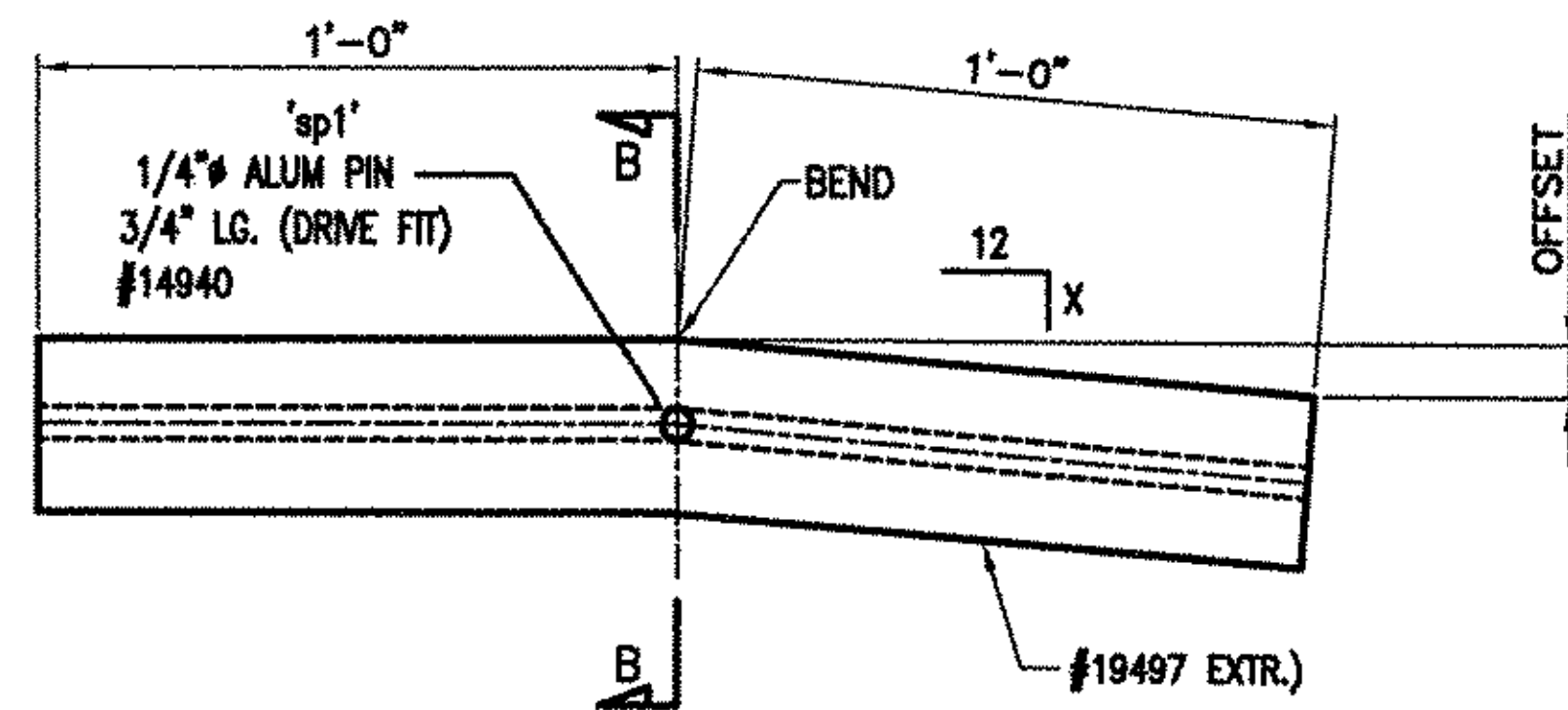
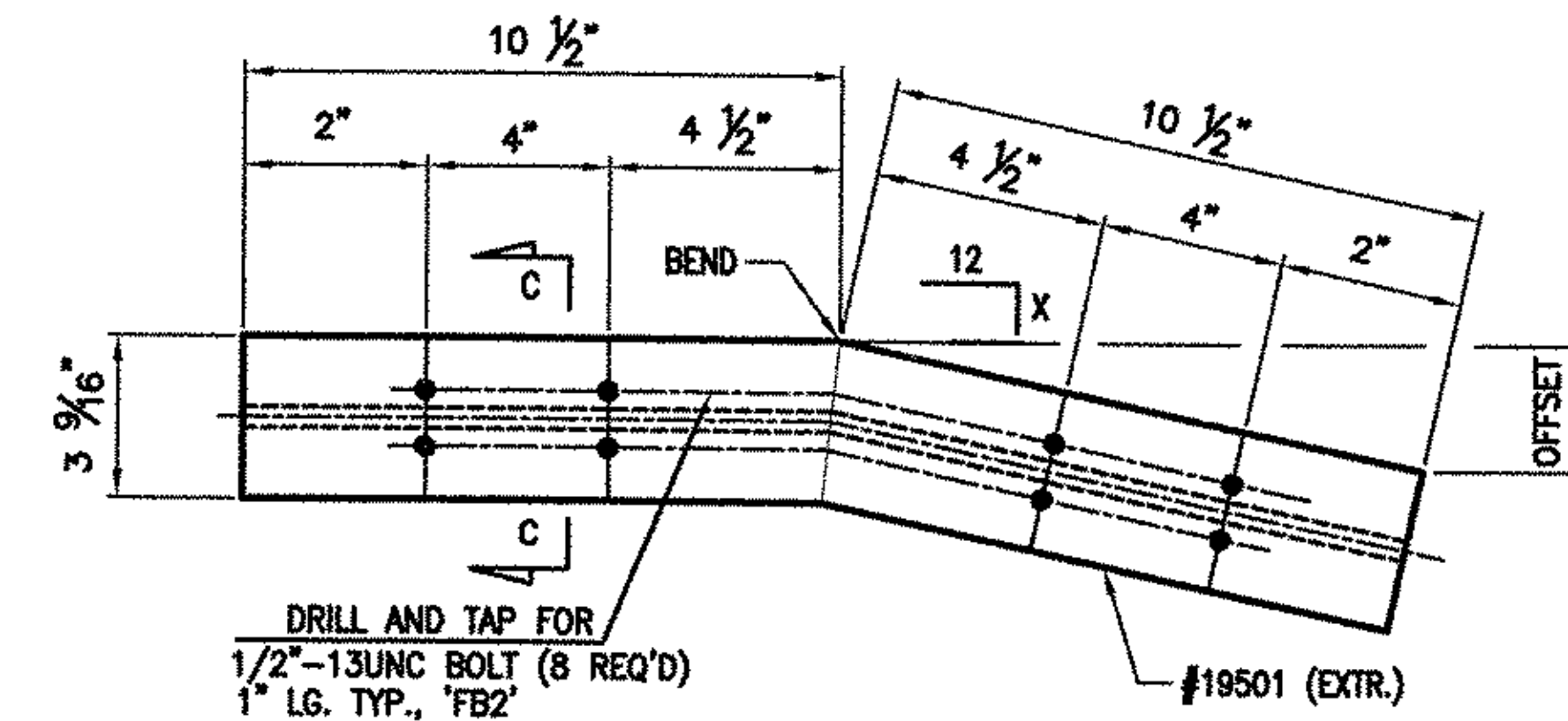


SECTION B-B

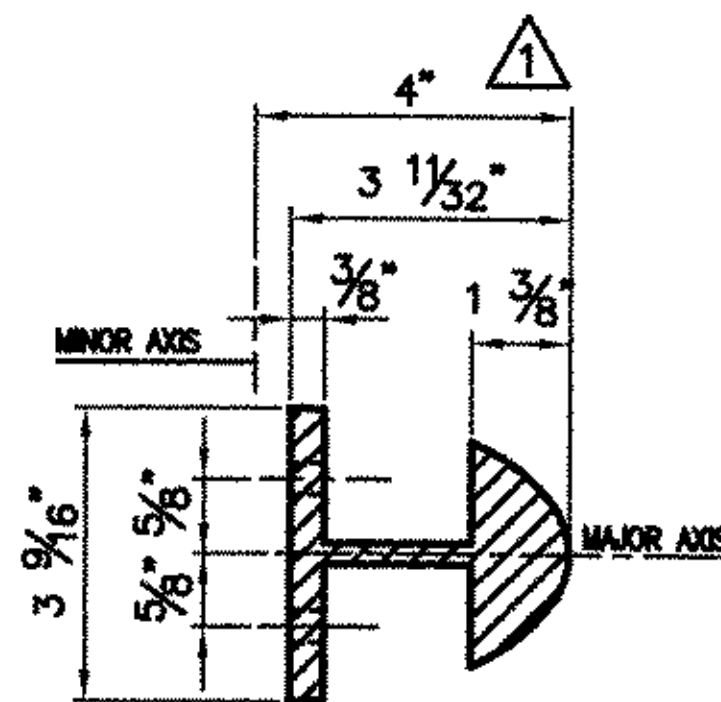


SPLICE BOLT DETAILS

HANDRAIL SPLICES			
MK.	X	QTY.	OFFSET
SS-12-A1	15/16	2	15/16"
SS-12-A2	1	2	1"

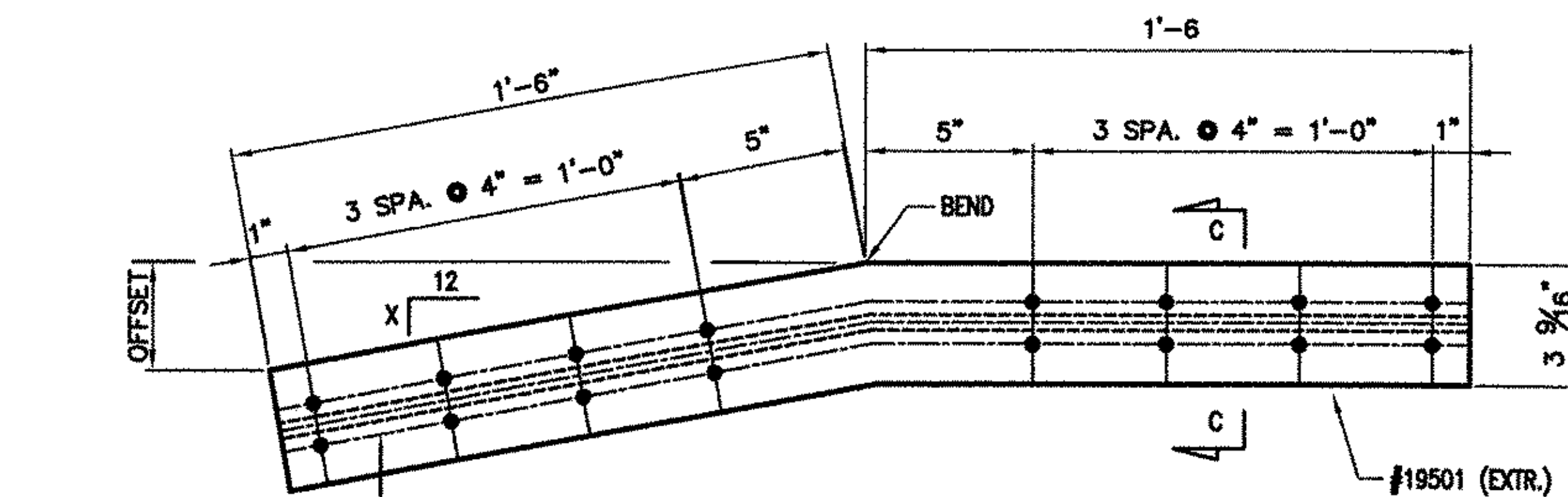


DRILL AND TAP FOR  
1/2"-13UNC BOLT (8 REQ'D)  
1" LG. TYP., 'FB2'



SECTION C-C

BARRIER RAIL SPLICES			
MK.	X	QTY.	OFFSET
SS-03-H1	1/16	2	1/16"
SS-03-H2	7/16	3	3/8"
SS-03-H3	1/4	1	3/16"



DRILL AND TAP FOR  
1/2"-13UNC BOLT (16 REQ'D)  
'FB2'

BARRIER RAIL SPLICES			
MK.	X	QTY.	OFFSET
SS-03-G1	7/16	1	5/8"
SS-03-G2	3/8	3	9/16"
SS-03-G3	7/16	3	11/16"
SS-03-G4	1/4	1	3/8"
SS-03-G5	1/16	2	1/16"

**ANODIZED**  
(SEE NOTES ON LB1)

BRIDGE No. 20  
PROJECT No. BHF 030-2(19)S  
ITEM No: 621.74

APPROVED: \_\_\_\_\_ REC'D APPROVAL \_\_\_\_\_  
DRAWING

**L.B. FOSTER COMPANY**  
1016 GREENTREE ROAD  
PITTSBURGH, PENNSYLVANIA 15220

FOR: BECK & BELLUCCI, INCORPORATED  
VERMONT AGENCY OF TRANSPORTATION

TOWN OF CAMBRIDGE, COUNTY LAMOILLE  
BRIDGE RAILING FOR VT15 (MINOR ARTERIAL) OVER LAMOILLE RIVER  
3L ALUMINUM APPROACH ~ SPLICE DETAILS

MADE \_CMS\_ DATE 01/29/07 JOB No. AR0364 CUST. No.  
CHECK \_BLJ\_ DATE 03/01/07 DRAWING LB16 REV. No. 2

REV.	DESCRIPTION	BY	DATE
2	REMOVED SS-03-G6 PER APPROVER MARKUP	CMS	03 27 07
1	REVISED ALL POST HIGHTS. PER APPROVERS NEW DIM'S.	CMS	03 22 07