

OFFSET BLOCK CHART FOR BRIDGE 20 SW & NE APPROACHES
POSTS P5L - P7L, P12L - P14L

POST No.	OFFSET BLOCK	QTY.	OFFSET BLOCK ~ POST MTG. DIMENSIONS						BEV
			A	B	C	D	E	F (O.C.)	
P5L	OB5L	1	1'-4 5/8"	1'-1 5/8"	2 1/8"	1/4"	1 7/8"	1'-4 7/16"	7/16
P6L	OB6L	1	1'-2 7/8"	11 7/8"	2 1/8"	1/4"	1 7/8"	1'-2 3/4"	7/16
P7L	OB7L	1	1'-1 3/16"	10 3/16"	2 1/8"	1/4"	1 7/8"	1'-1 1/16"	7/16
P12L	OB12L	1	1'-2 13/16"	11 13/16"	2 1/8"	1/4"	1 7/8"	1'-2 5/8"	7/16
P13L	OB13L	1	1'-1 7/8"	10 7/8"	2 1/8"	1/4"	1 7/8"	1'-1 3/4"	7/16
P14L	OB14L	1	1'-1"	10"	2 1/8"	1/4"	1 7/8"	1'-0 7/8"	7/16

OFFSET BLOCK CHART FOR BRIDGE 20 SE & NW APPROACHES
POSTS P5R - P7R, P12R - P14R

POST No.	OFFSET BLOCK	QTY.	OFFSET BLOCK ~ POST MTG. DIMENSIONS						BEV
			A	B	C	D	E	F (O.C.)	
P5R	OB5R	1	1'-4 11/16"	1'-1 11/16"	2 1/8"	1/4"	1 7/8"	1'-4 9/16"	7/16
P6R	OB6R	1	1'-2 15/16"	11 15/16"	2 1/8"	1/4"	1 7/8"	1'-2 13/16"	7/16
P7R	OB7R	1	1'-1 3/16"	10 1/4"	2 1/8"	1/4"	1 7/8"	1'-1 1/16"	7/16
P12R	OB12R	1	1'-5 13/16"	1'-2 13/16"	2 1/8"	1/4"	1 7/8"	1'-5 11/16"	7/16
P13R	OB13R	1	1'-5 3/4"	1'-2 3/4"	2 1/8"	1/4"	1 7/8"	1'-5 5/8"	7/16
P14R	OB14R	1	1'-5 11/16"	1'-2 11/16"	2 1/8"	1/4"	1 7/8"	1'-5 9/16"	7/16

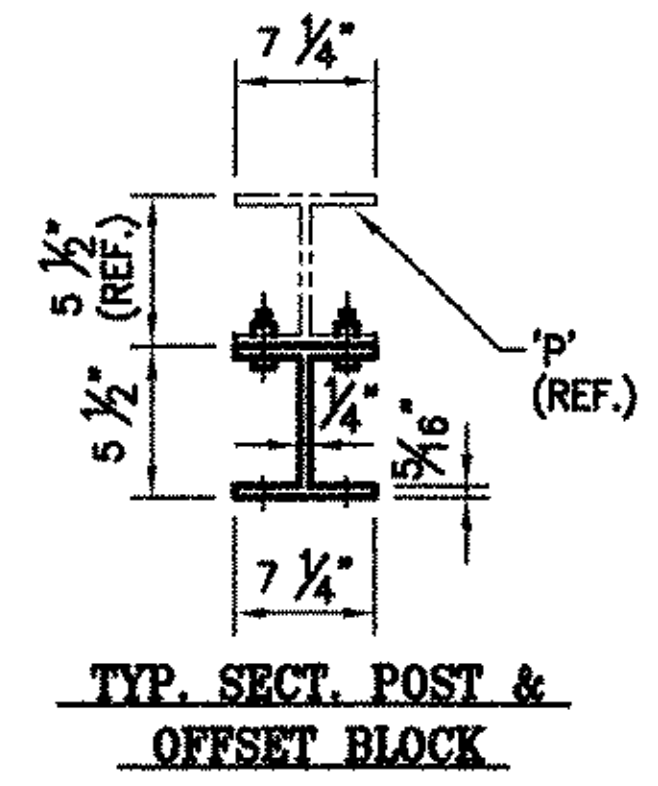
OFFSET BLOCK ~ RAIL MTG. DIMENSIONS

POST No.	OFFSET BLOCK	G	H	J	K
P5L	OB5L	1 3/16"	1'-0 3/4"	1 1/8"	1'-0 1/2"
P6L	OB6L	1 3/16"	11 1/16"	1 1/8"	10 13/16"
P5L	OB5L	1 3/16"	9 3/8"	1 1/8"	9 1/8"
P12L	OB12L	1 3/16"	10 7/8"	1 1/8"	10 3/4"
P13L	OB13L	1 3/16"	10"	1 1/8"	9 13/16"
P14L	OB14L	1 3/16"	9 1/8"	1 1/8"	8 15/16"

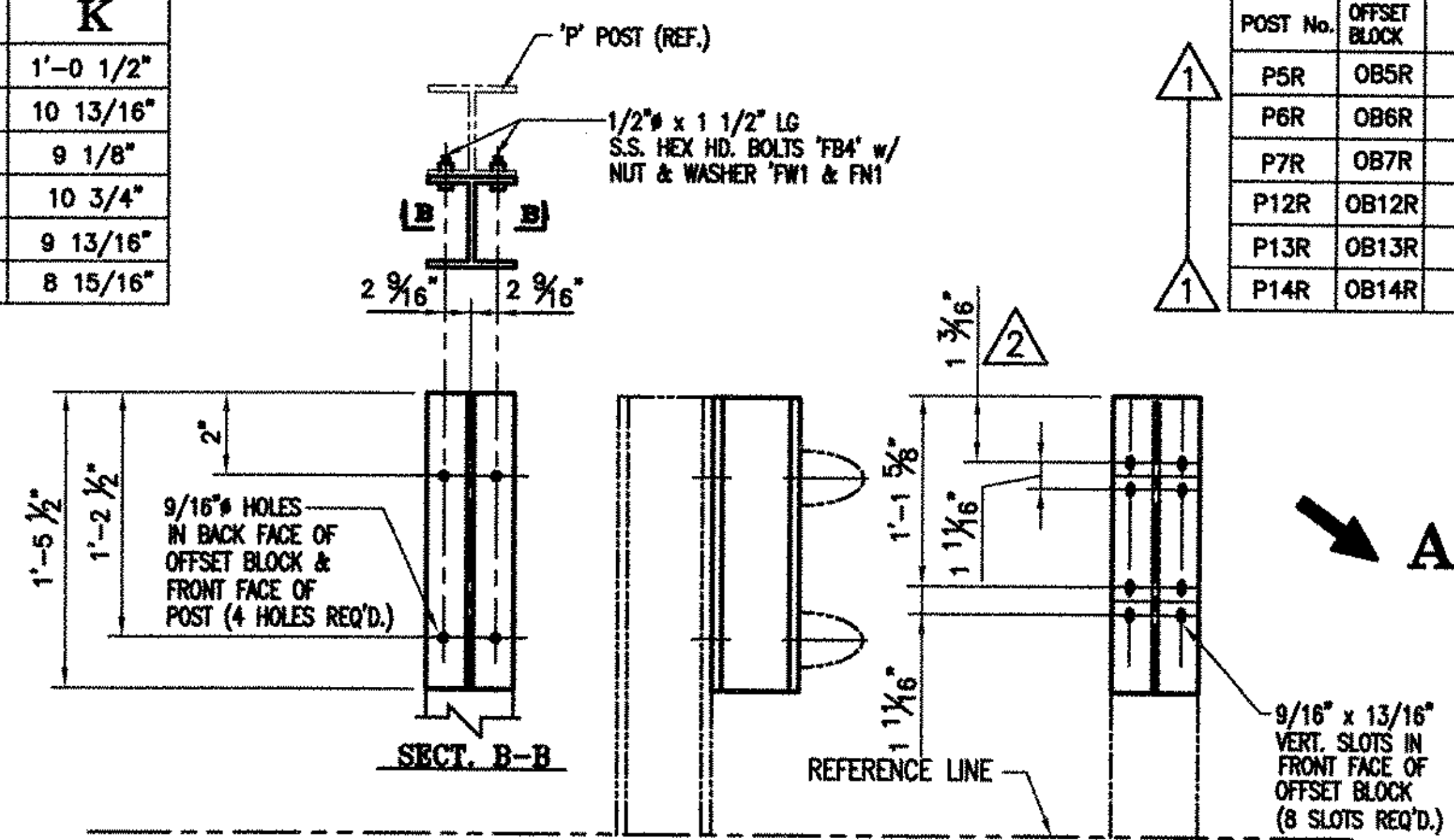
OFFSET BLOCK ~ RAIL MTG. DIMENSIONS

POST No.	OFFSET BLOCK	G	H	J	K
P5R	OB5R	1 3/16"	1'-0 13/16"	1 1/8"	1'-0 9/16"
P6R	OB6R	1 3/16"	11 1/8"	1 1/8"	10 13/16"
P7R	OB7R	1 3/16"	9 3/8"	1 1/8"	9 1/8"
P12R	OB12R	1 3/16"	1'-1 15/16"	1 1/8"	1'-1 13/16"
P13R	OB13R	1 3/16"	1'-1 13/16"	1 1/8"	1'-1 3/4"
P14R	OB14R	1 3/16"	1'-1 3/4"	1 1/8"	1'-1 11/16"

NOTE:
4 CLAMPING BARS CB-03-A (#19447) PER POSTS P5 - P7, P12 - P14 w/ 1/2"-13 UNC S.S. BOLT x 1" LG. 'FB1', 1 1/16" O.D. x 17/32" I.D. x 3/32" THK. ALUM WASHER 'FW1' (#15280 & #19404) (8 PER POST)



TYP. SECT. POST & OFFSET BLOCK



OFFSET BLOCK OB15 ~ 3 REQ'D.

ANODIZED
(SEE NOTES ON LB1)

BRIDGE No. 20
PROJECT No. BHF 030-2(19)S
ITEM No: 621.74

APPROVED: _____ REC'D APPROVAL _____
DRAWING _____

L.B. FOSTER COMPANY
1016 GREENTREE ROAD
PITTSBURGH, PENNSYLVANIA 15220

FOR: BECK & BELLUCCI, INCORPORATED
VERMONT AGENCY OF TRANSPORTATION
TOWN OF CAMBRIDGE, COUNTY LAMOILLE
BRIDGE RAILING FOR VT15 (MINOR ARTERIAL) OVER LAMOILLE RIVER
OFFSET BLOCK DETAILS

REV.	DESCRIPTION	BY	DATE
2	REVISED DIMENSION PER APPROVER MARKUP	CMS	03 27 07
1	REVISED ALL POST HIGHTS. PER APPROVERS DIMENSIONS	CMS	03 23 07

MADE CMS DATE 01/28/07 JOB No. AR0364 CUST. No. _____
CHECK BHJ DATE 03/01/07 DRAWING LB14 REV. No. 2