

POST DETAIL CHART FOR BRIDGE 20 NE APPROACH
CURB CONDITION (STA.18+63 RT - STA.20+20 RT)

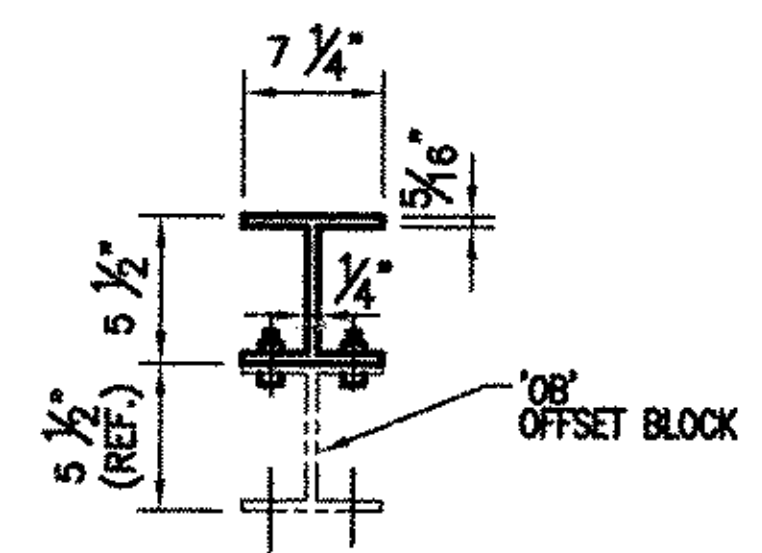
POST No.	QTY.	OFFSET BLOCK MTG. DIMENSIONS						BEV
		A	B	C	D	E	F (O.C.)	X
P1L	1	1 7/8"	1'-1 1/16"	2'-6 1/16"	9/16"	1 1/4"	3'-11 13/16"	1
P2L	1	1 7/8"	11 1/2"	2'-3 3/16"	9/16"	1 1/4"	3'-8 13/16"	1
P3L	1	1 7/8"	9 7/8"	2'-0 5/16"	9/16"	1 1/4"	3'-5 7/8"	1
P4L	1	1 7/8"	8 5/16"	1'-9 7/16"	9/16"	1 1/4"	3'-2 7/8"	1
P5L	1	2 1/8"	1'-1 5/8"		1/4"	1 7/8"	2'-7"	7/16
P6L	1	2 1/8"	11 7/8"		1/4"	1 7/8"	2'-5 1/8"	7/16
P7L	1	2 1/8"	10 3/16"		1/4"	1 7/8"	2'-3 5/16"	7/16

POST DETAIL CHART FOR BRIDGE 20 SE APPROACH
CURB CONDITION (STA.13+30 RT - STA.14+53 RT)

POST No.	QTY.	OFFSET BLOCK MTG. DIMENSIONS						BEV
		A	B	C	D	E	F (O.C.)	X
P1R	1	1 7/8"	1'-1 5/16"	2'-6 1/2"	5/8"	1 1/4"	4'-0 1/4"	1
P2R	1	1 7/8"	11 5/8"	2'-3 1/2"	5/8"	1 1/4"	3'-9 1/8"	1
P3R	1	1 7/8"	10"	2'-0 9/16"	5/8"	1 1/4"	3'-6 1/16"	1
P4R	1	1 7/8"	8 5/16"	1'-9 9/16"	5/8"	1 1/4"	3'-3"	1
P5R	1	2 1/8"	1'-1 11/16"		1/4"	1 7/8"	2'-7 1/16"	7/16
P6R	1	2 1/8"	11 15/16"		1/4"	1 7/8"	2'-5 3/16"	7/16
P7R	1	2 1/8"	10 1/4"		1/4"	1 7/8"	2'-3 5/16"	7/16

NOTE:
2 CLAMPING BARS CB-01-H (#28596) PER POSTS P1-P4
4 CLAMPING BARS CB-03-A (#19447) PER POSTS P1-P4
w/ 1/2" -13 UNC S.S. BOLT x 1" LG. 'FB1', 1 1/16" O.D. x 17/32" I.D. x 3/32" THK. ALUM WASHER 'FW1' (#15280 & # 19404) (16 PER POST)

NOTE:
4 CLAMPING BARS CB-03-A (#19447) PER POSTS P5-P7
w/ 1/2" -13 UNC S.S. BOLT x 1" LG. 'FB1', 1 1/16" O.D. x 17/32" I.D. x 3/32" THK. ALUM WASHER 'FW1' (#15280 & # 19404) (8 PER POST)



TYP. SECT. POST & OFFSET BLOCK

ANODIZED
(SEE NOTES ON LB1)

BRIDGE No. 20
PROJECT No. BHF 030-2(19)S
ITEM No: 621.74

APPROVED: _____ REC'D APPROVAL _____
DRAWING

L.B. FOSTER COMPANY
1016 GREENTREE ROAD
PITTSBURGH, PENNSYLVANIA 15220

FOR: BECK & BELLUCCI, INCORPORATED
VERMONT AGENCY OF TRANSPORTATION
TOWN OF CAMBRIDGE, COUNTY LAMOILLE
BRIDGE RAILING FOR VT15 (MINOR ARTERIAL) OVER LAMOILLE RIVER
3L ALUMINUM APPROACH RAIL POST DETAILS

MADE CMS DATE 01/28/07 JOB No. ARO364 CUST. No.
CHECK BLW DATE 03/01/07 DRAWING LB11 REV. No. ONE

REV.	DESCRIPTION	BY	DATE
1	REVISED ALL POST HIGHTS. PER APPROVERS NEW DIM'S.	CMS	03 22 07