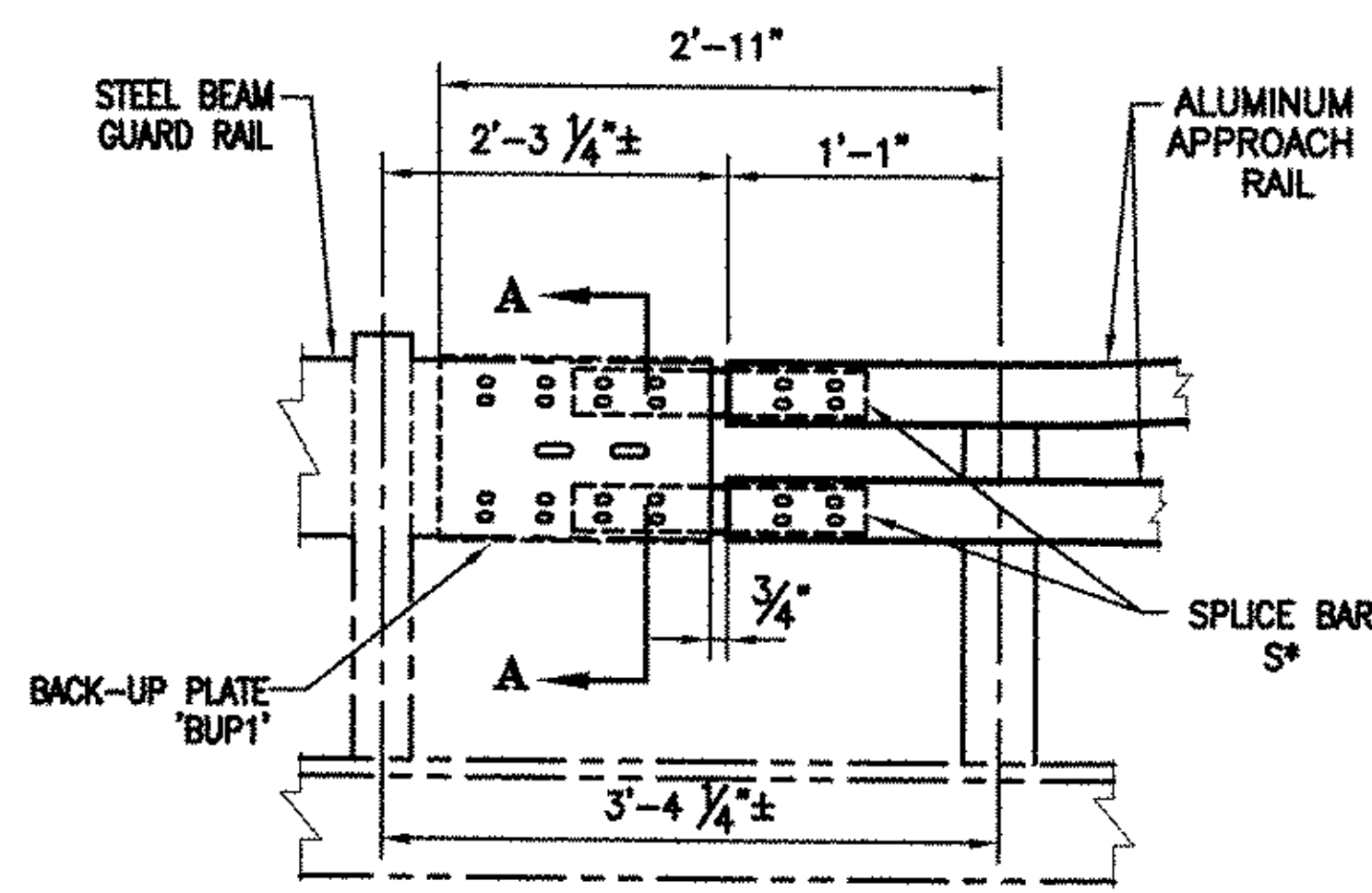
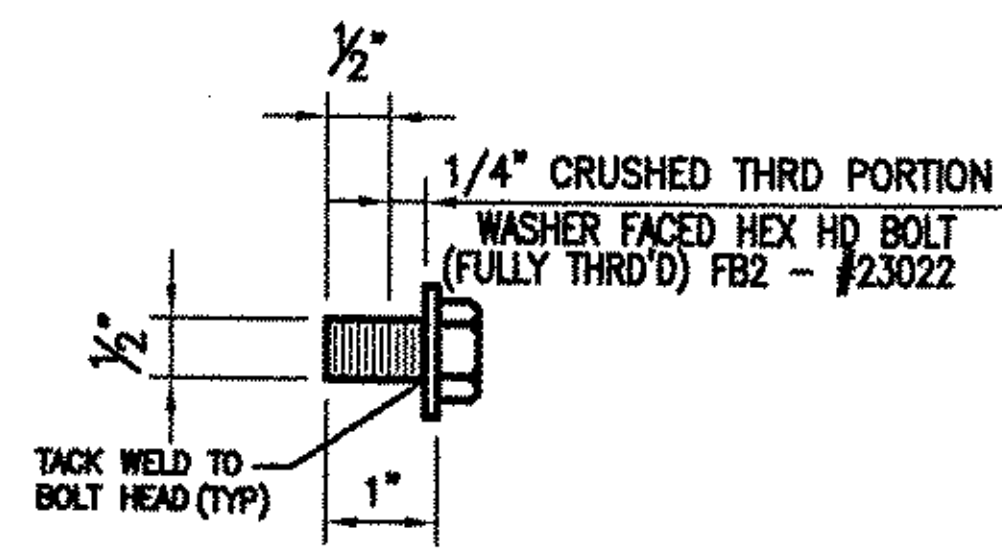


SECTION A-A



DETAIL "B"



SPlice BOLT DETAILS

**GENERAL NOTES**

ALL MATERIAL AND WORKMANSHIP SHALL BE IN ACCORDANCE WITH VERMONT AGENCY OF TRANSPORTATION STANDARD SPECIFICATIONS FOR CONSTRUCTION DATED 2001 AND ITS LATEST REVISIONS.

DESCRIPTION	ASTM	ALLOY/GR.	REMARKS
RAILS, POSTS, SPLICES, CLAMP BARS, PINS,	B221	6081-T8 OR 6351-T5	MIN. YIELD STRENGTH $F_y = 241.3 \text{ MPa}$ (35,000 psi.)
OFFSET BLOCKS (H-SECT.)	B308/B221	6061-T6	
STAINLESS STEEL BOLTS	A193	GRADE B8	
STAINLESS STEEL HEX NUTS	A194	GRADE B8	
STAINLESS WASHERS	A240	TYPE 304	
ALUMINUM WASHERS	B209	2024-T3	
END CAPS	B26	356-F	
BACK-UP PLATES			GALV. A123
ELECTRODES FOR WELDING			AWS A5.10 ALLOY ER4043

POSTS TO BE NORMAL TO GRADE AND RAILS SHALL BE PARALLEL TO GRADE. ALL RAILS AND WELDS TO BE FREE FROM ALL BURRS AND ROUGH EDGES. ENDS OF TUBE SECTIONS SHALL BE SAWED OR MILLED. GRIND ALL CUT EDGES SMOOTH.

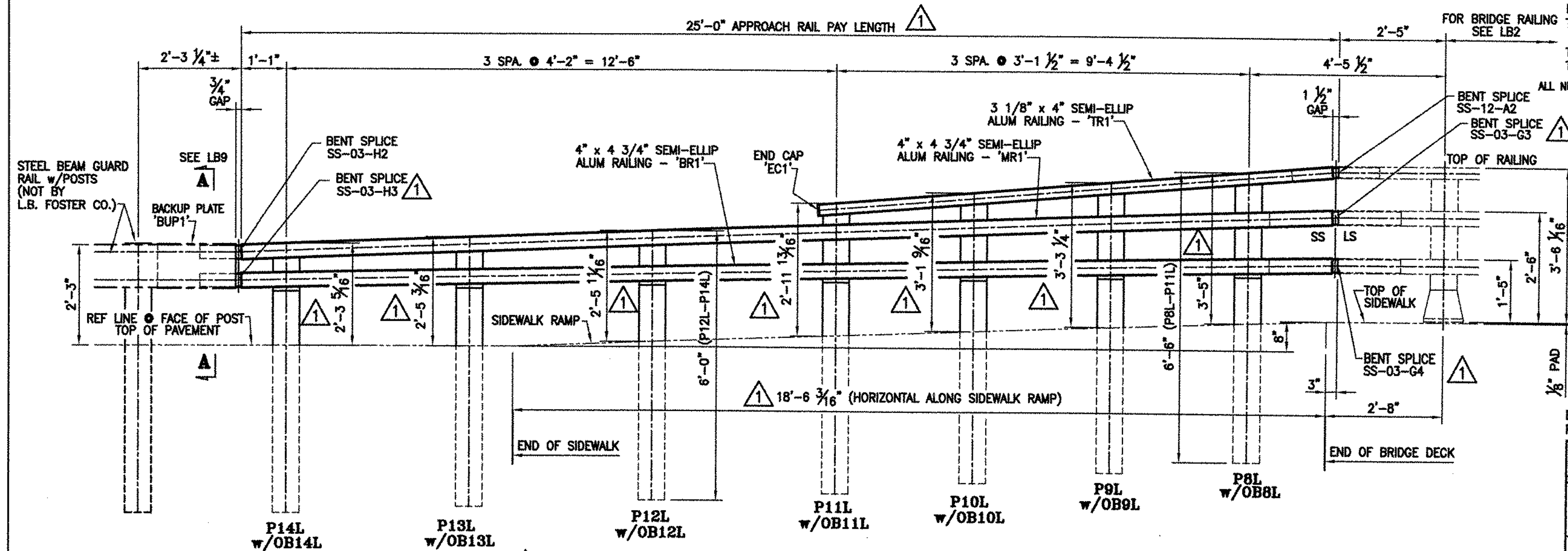
ALL THREADS TO BE UNC CLASS 2A/2B.

ALL EXTRUSION TOLERANCES NOT SHOWN SHALL BE IN ACCORDANCE WITH ASTM B221.

IF CUT THREADS ARE USED, BOLT DIAMETER SHALL NOT BE LESS THAN NOMINAL DIAMETER. IF ROLLED THREADS ARE USED, BOLT DIAMETER SHALL NOT BE LESS THAN THE ROOT DIAMETER OF THREADS.

THE SPLICE BAR SHALL BE ATTACHED TO THE RAIL ELEMENT AS FOLLOWS: THE RAIL SPLICE AT THE BRIDGE EXPANSION JOINT SHALL BE FASTENED ON BOTH SIDES OF THE RAIL SPLICE USING THE PARTIALLY THREADED BOLTS, WITH THE WASHER FACED BOLT, TIGHTENED SECURELY TO THE END OF THREADS, AND LEAVING A 1/8" GAP. THIS ALLOWS EXPANSION ON BOTH SIDES OF THE JOINT.

ALL NUTS SHALL COMPLY WITH AMERICAN HEXAGON ANSI SPECIFICATIONS B18.2



INSIDE ELEVATION OF SW APPROACH RAIL @ SIDEWALK (STA.13+50 LT - STA.14+42 LT)

**ANODIZED**  
(SEE NOTES ON LB1)

BRIDGE No. 20  
PROJECT No. BHF 030-2(19)S  
ITEM No. 621.74

APPROVED: \_\_\_\_\_ REC'D APPROVAL \_\_\_\_\_  
DRAWING \_\_\_\_\_

**L.B. FOSTER COMPANY**  
1016 GREENTREE ROAD  
PITTSBURGH, PENNSYLVANIA 15220

FOR: BECK & BELLUCCI, INCORPORATED  
VERMONT AGENCY OF TRANSPORTATION  
TOWN OF CAMBRIDGE, COUNTY LAMOILLE  
BRIDGE RAILING FOR VT15 (MINOR ARTERIAL) OVER LAMOILLE RIVER  
3L ALUMINUM APPROACH RAIL ELEVATIONS

REV.	DESCRIPTION	BY	DATE
1	REVISED ALL POST HGTS. PER APPROVER'S MARKUPS	CMS	03/22/07

MADE CMS DATE 01/29/07 JOB No. AR0364 CUST. No. \_\_\_\_\_  
CHECK BLJ DATE 02/28/07 DRAWING LB9 REV. No. ONE

114 BR