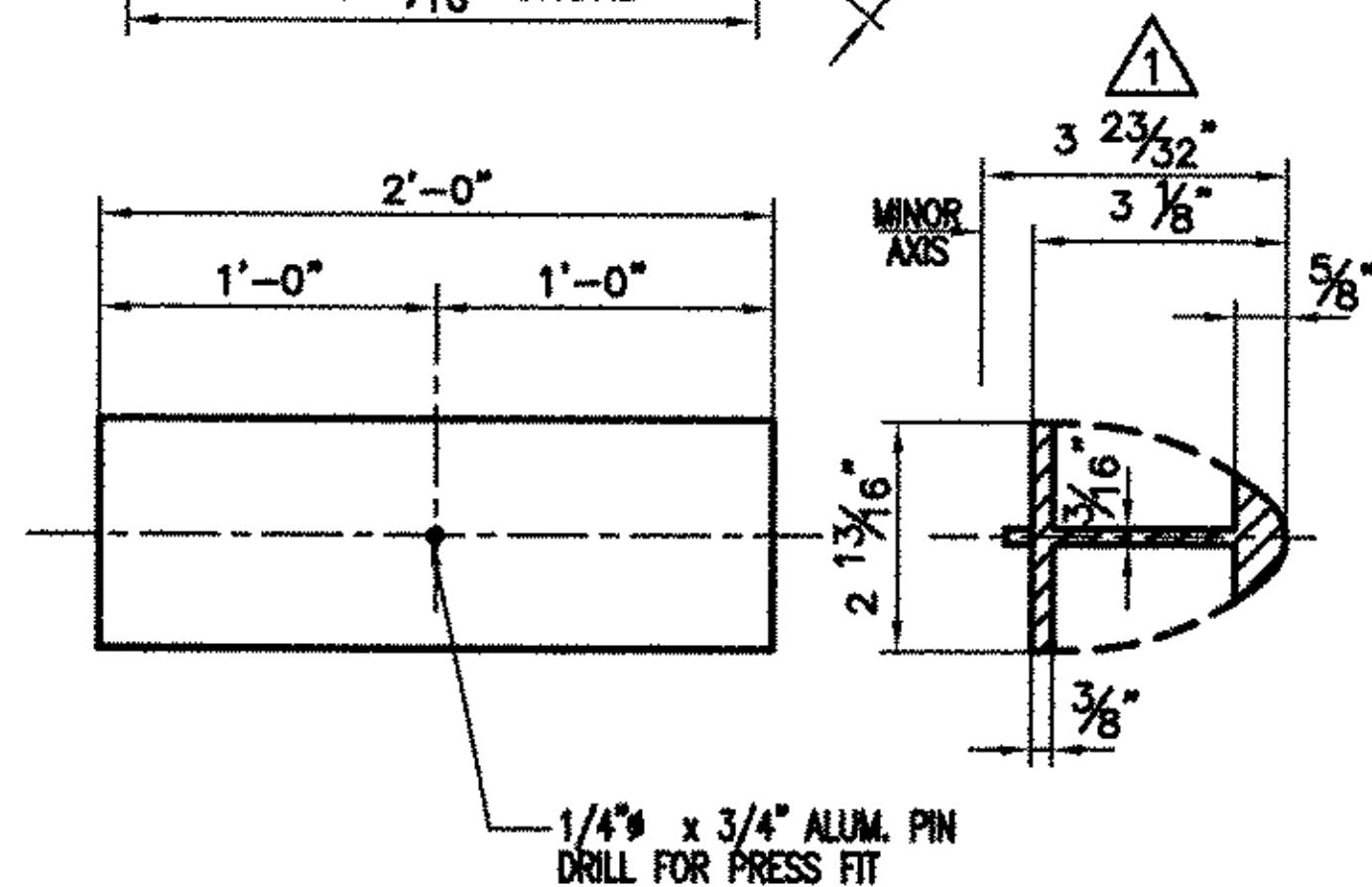
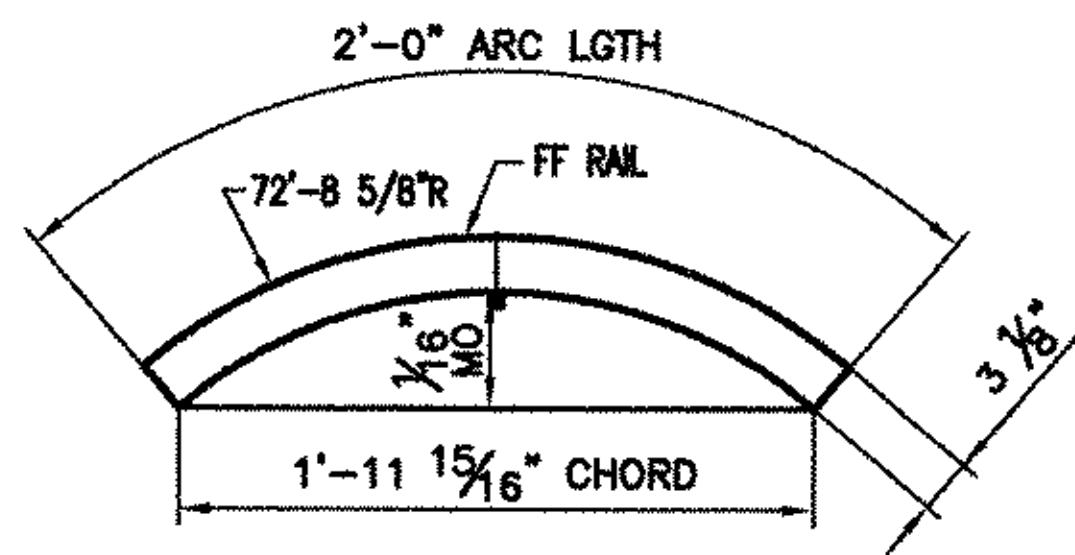
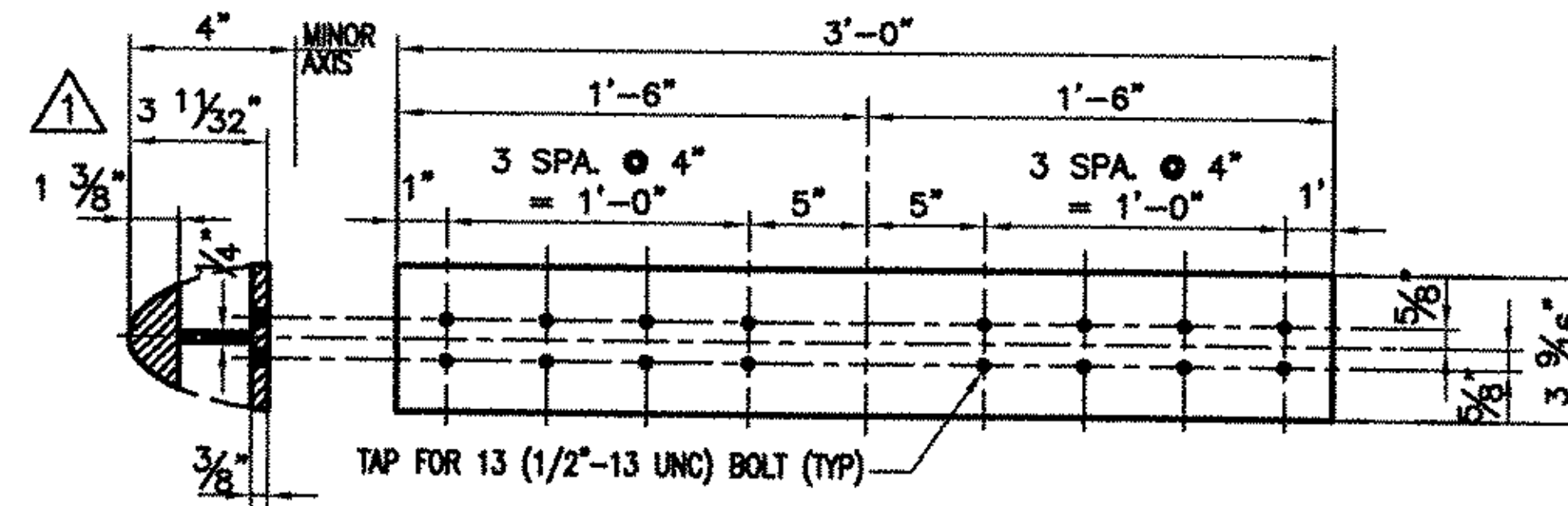


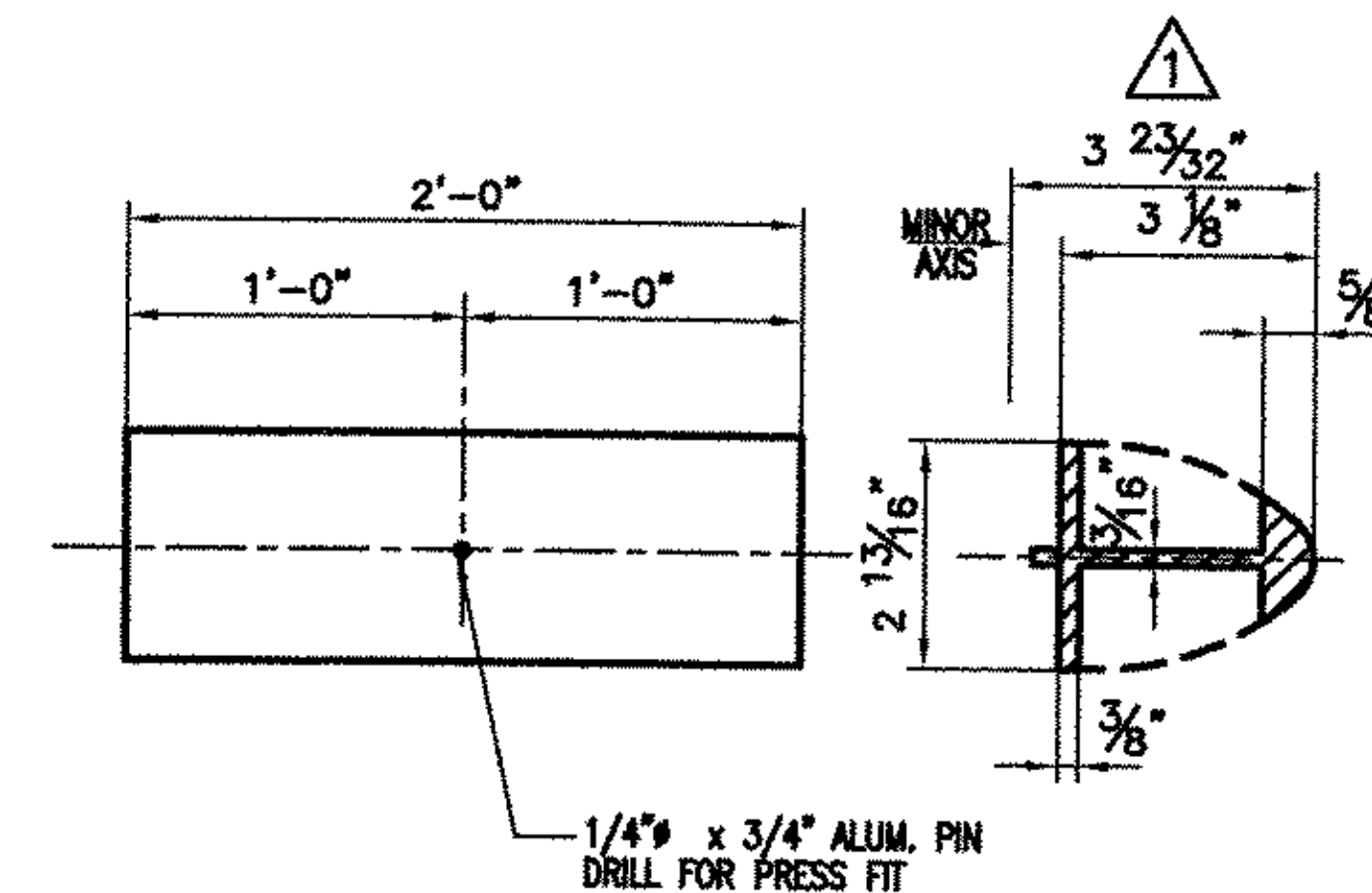
4 ~ REQ'D BENT SPLICE SLEEVES S2  
(BARRIER RAIL)



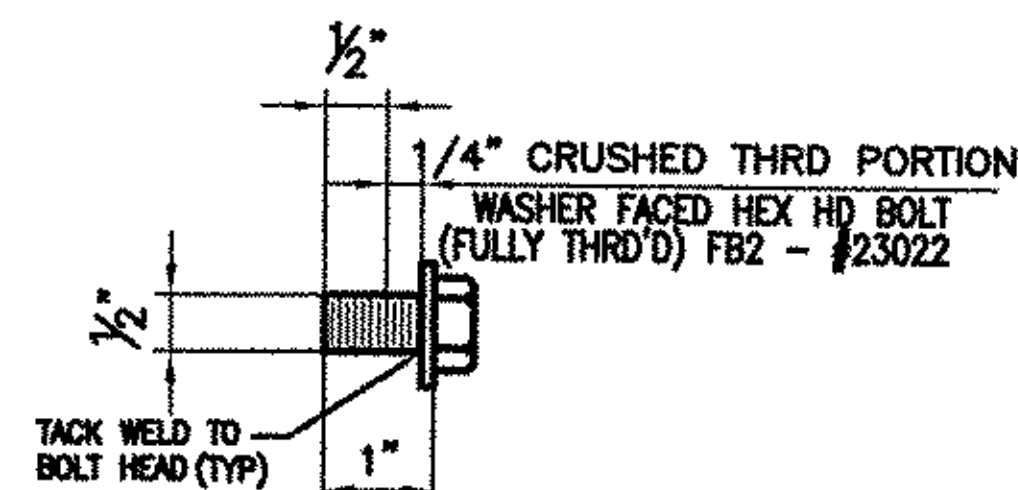
2 ~ REQ'D BENT SPLICE SLEEVES S1  
(HANDRAIL)



22 ~ REQ'D BENT SPLICE SLEEVES SS-03-G  
(BARRIER RAIL)



11 ~ REQ'D SPLICE SLEEVES SS-12-A  
(HANDRAIL)



SPLICE BOLT DETAILS

**ANODIZED**  
(SEE NOTES ON LBS)

BRIDGE No. 20  
PROJECT No. BHF 030-2(19)S  
ITEM No. 525.22

APPROVED: \_\_\_\_\_ REC'D APPROVAL \_\_\_\_\_  
DRAWING \_\_\_\_\_

**L.B. FOSTER COMPANY**  
1016 GREENTREE ROAD  
PITTSBURGH, PENNSYLVANIA 15220

FOR: BECK & BELLUCCI, INCORPORATED  
VERMONT AGENCY OF TRANSPORTATION  
TOWN OF CAMBRIDGE, COUNTY LAMOILLE  
BRIDGE RAILING FOR VT15 (MINOR ARTERIAL) OVER LAMOILLE RIVER  
3-LINE ALUM BRIDGE RAIL ~ SPLICE DETAILS

REV.	DESCRIPTION	BY	DATE
1	REVISED PER APPROVER MARKUP	CMS	03 22 07

MADE CMS DATE 01/30/07 JOB No. ARO364 CUST. No. \_\_\_\_\_  
CHECK BLJ DATE 02/28/07 DRAWING LB7A REV. No. ONE