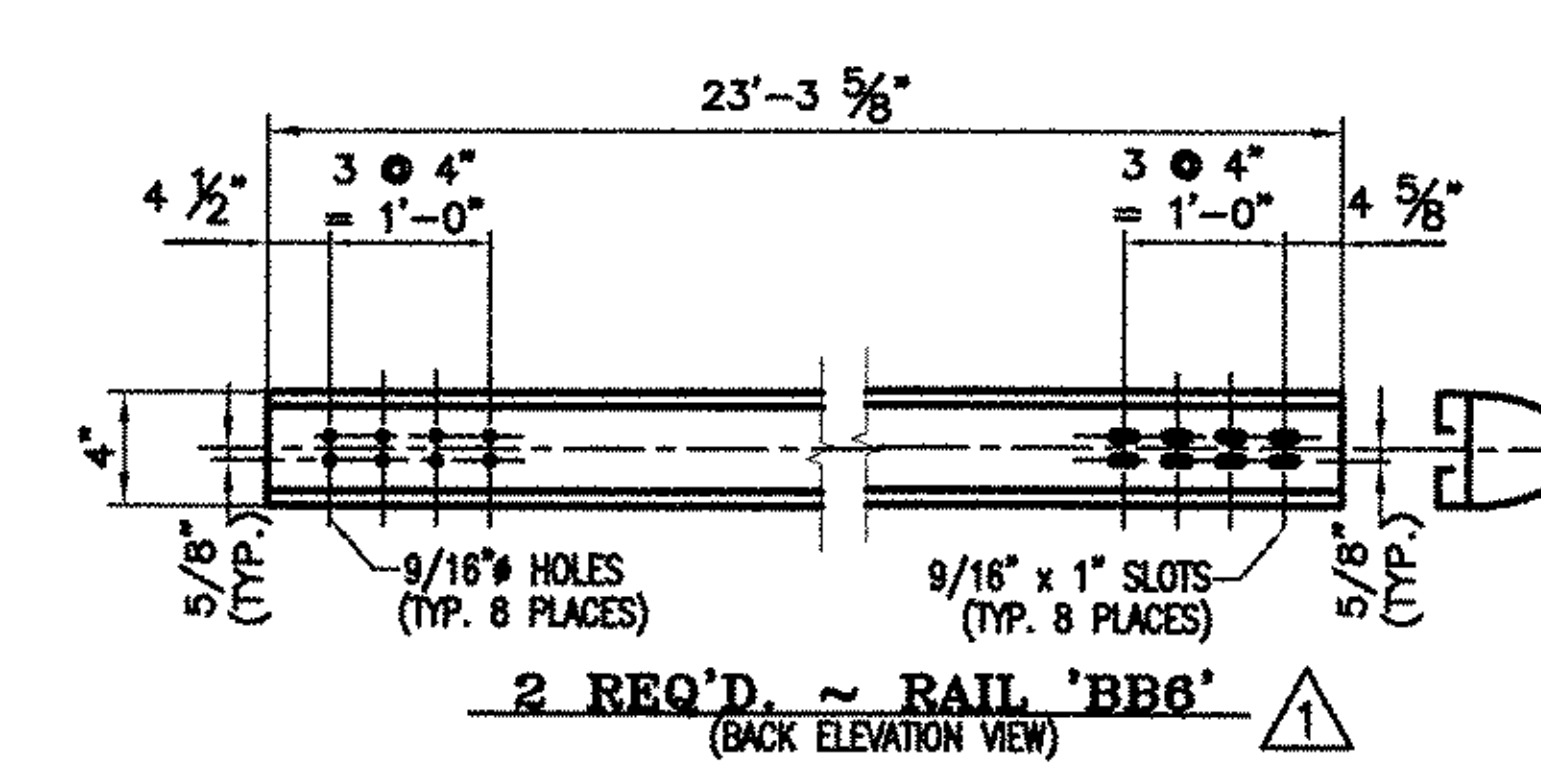
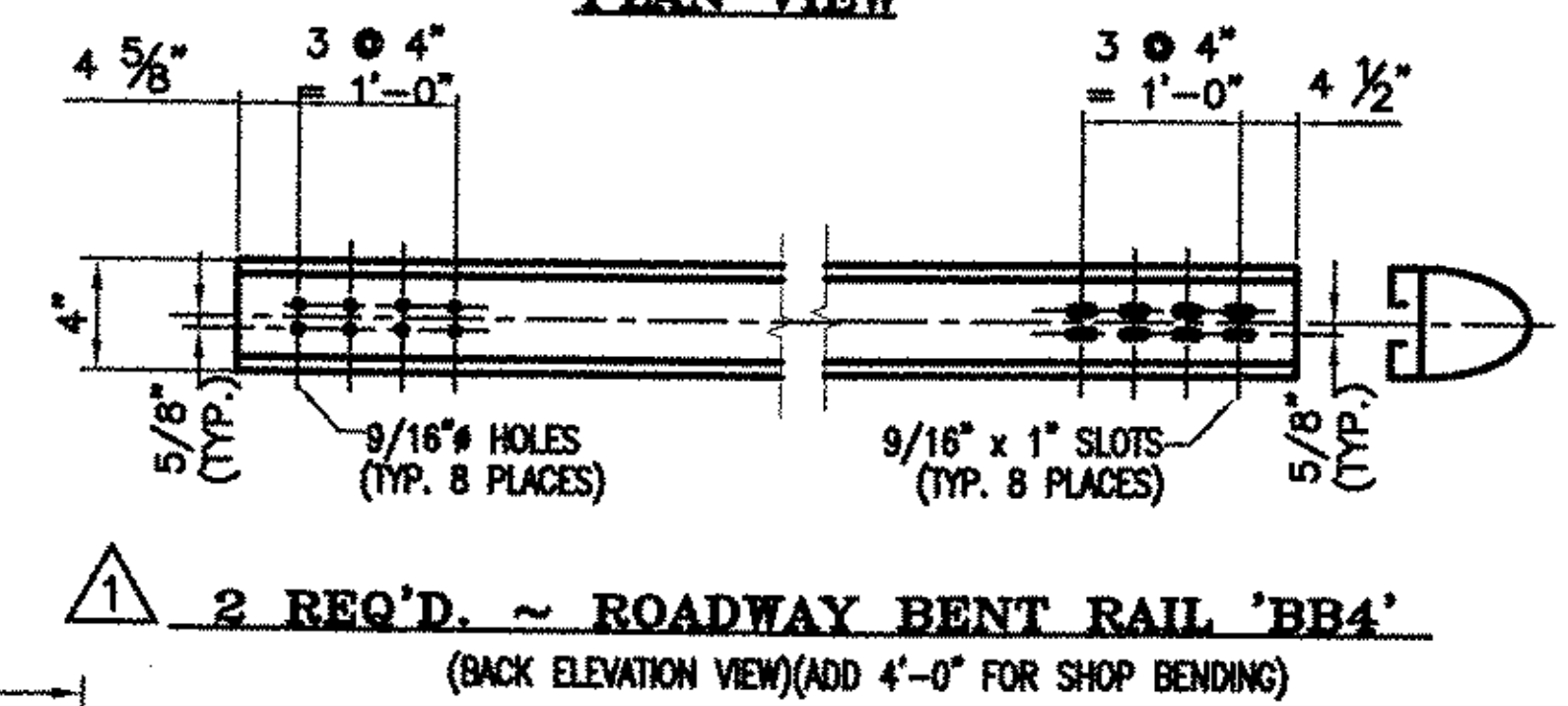
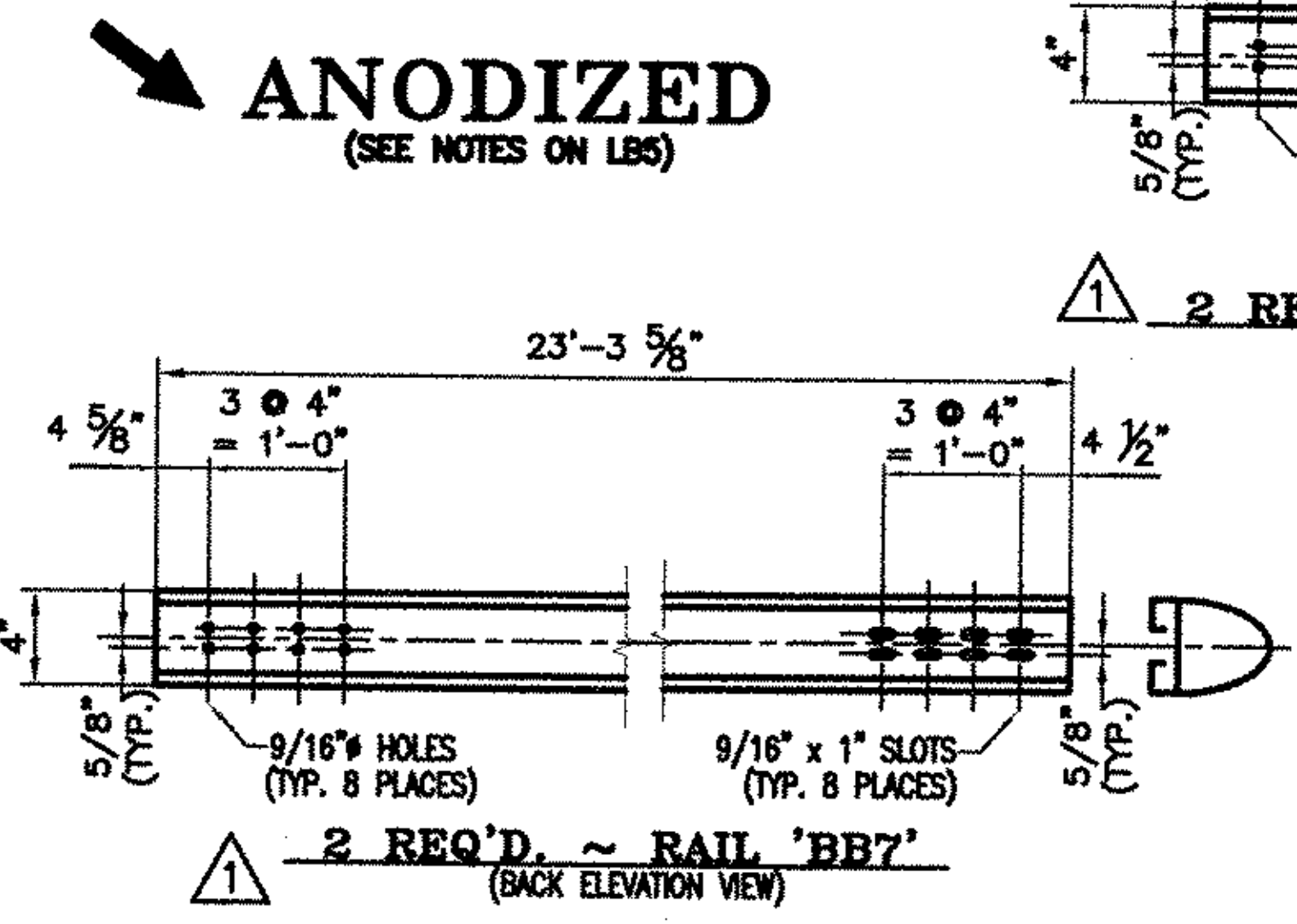
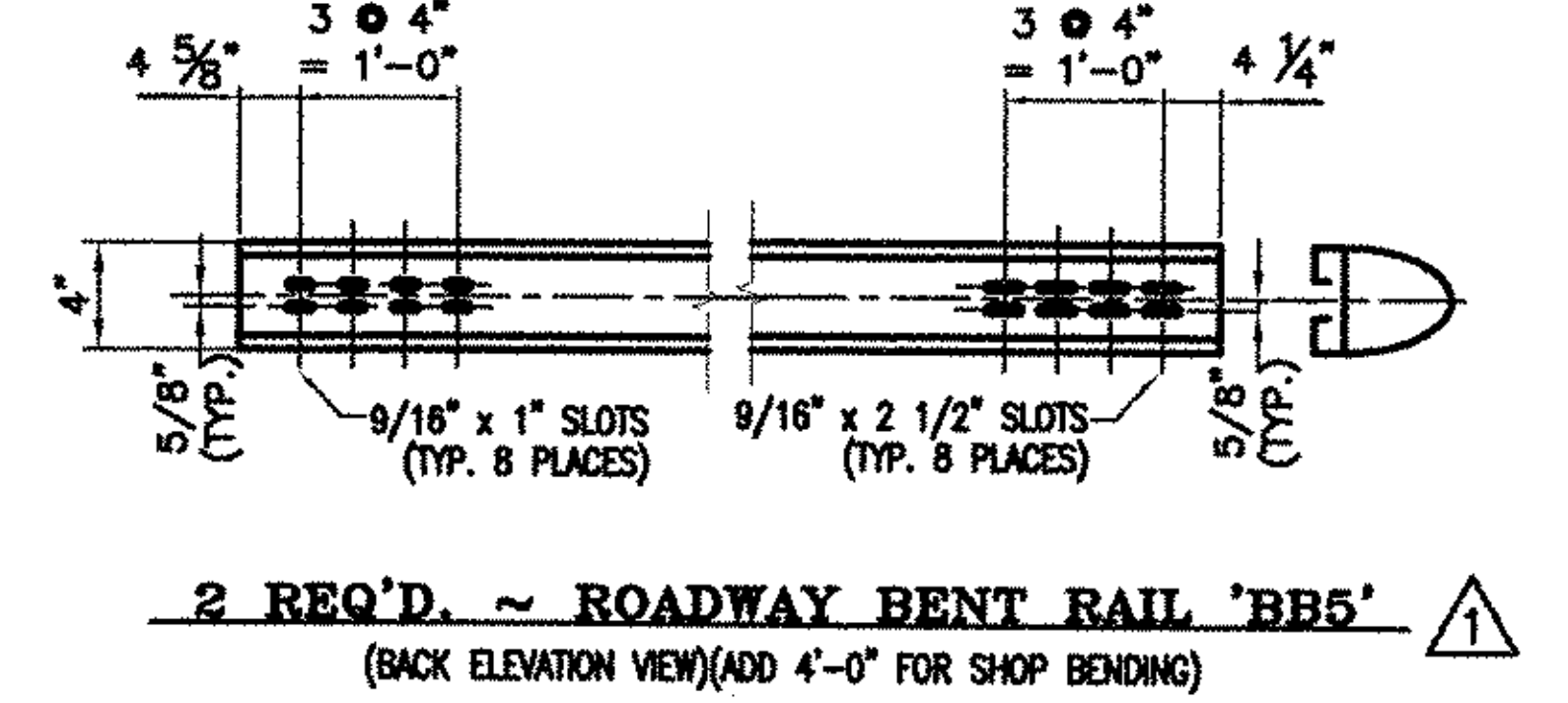
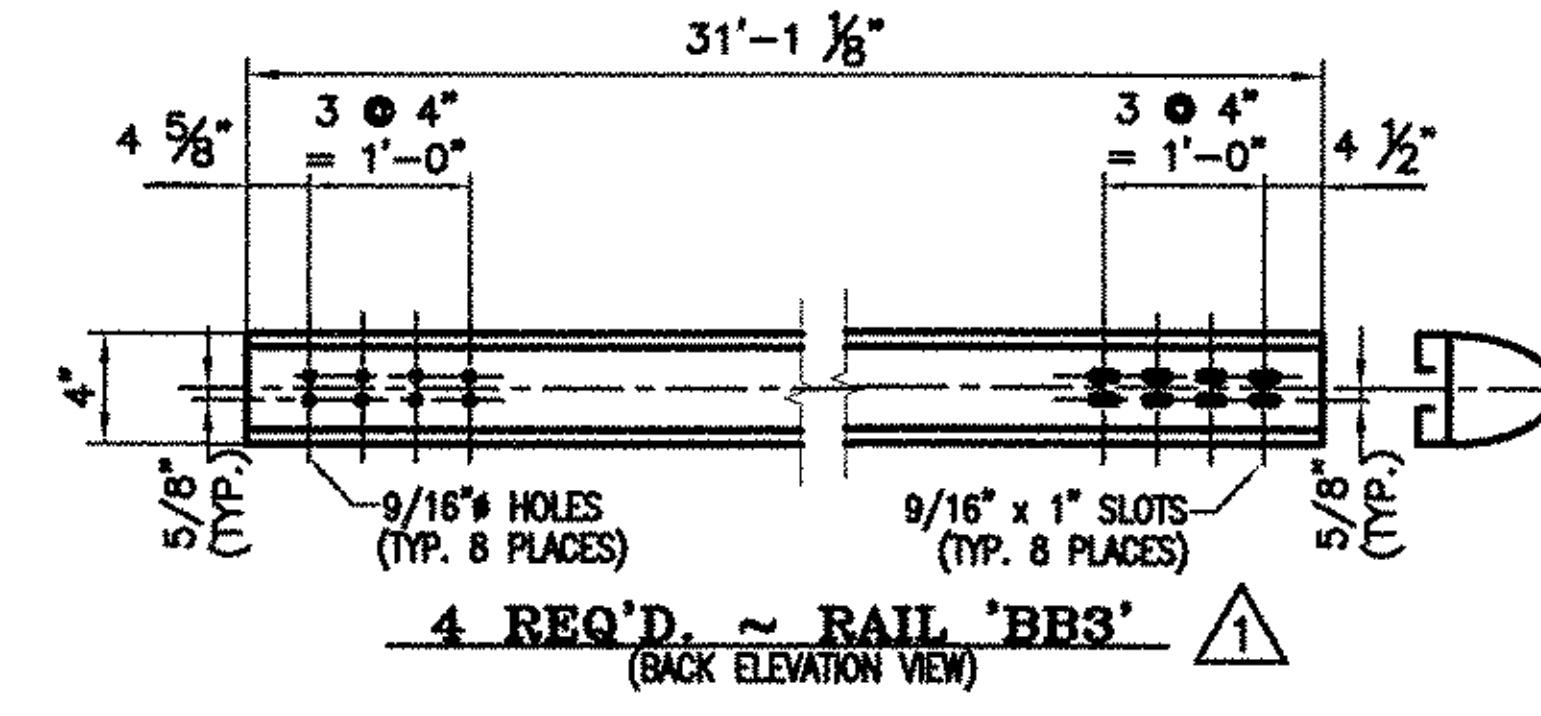
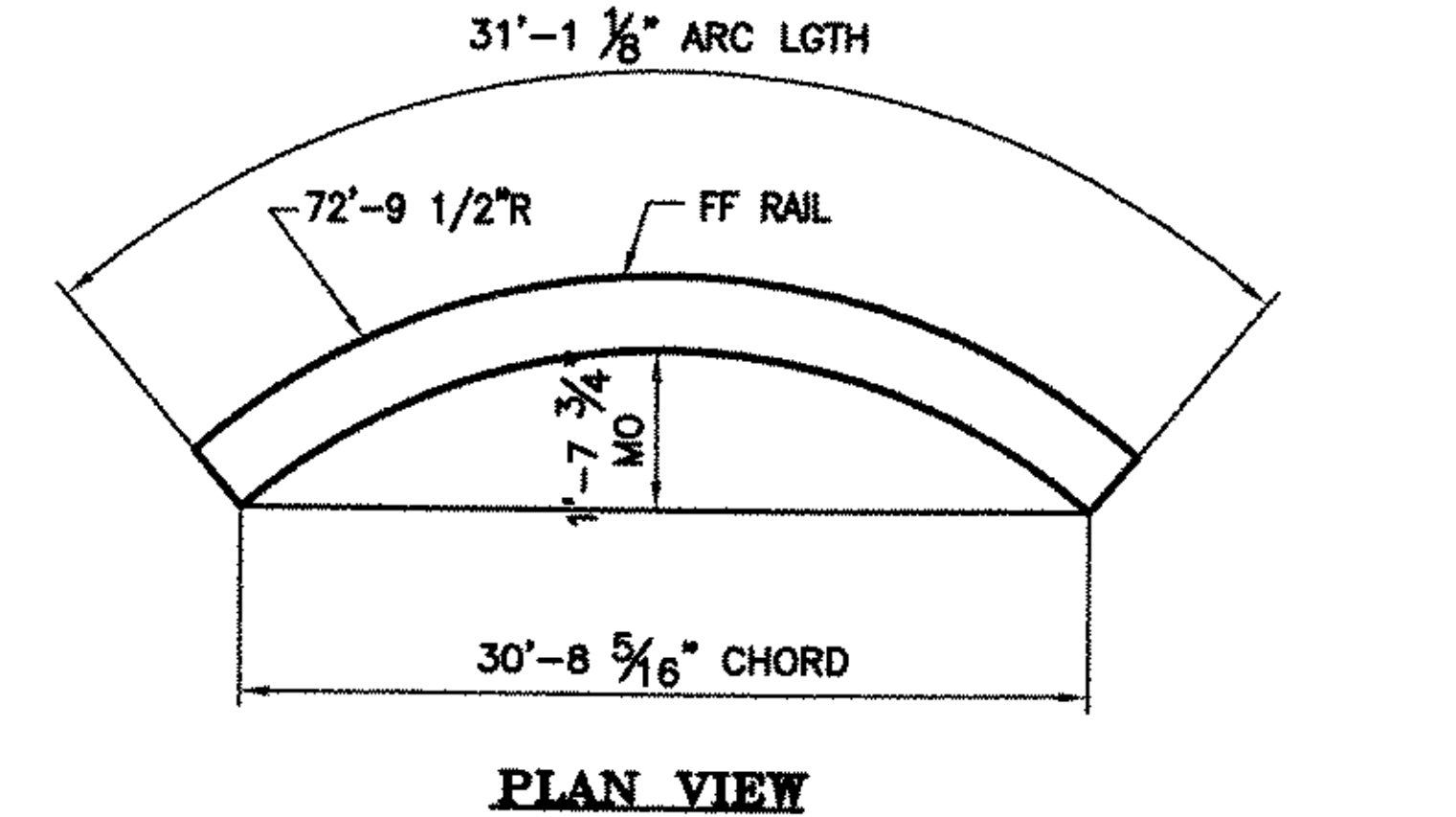
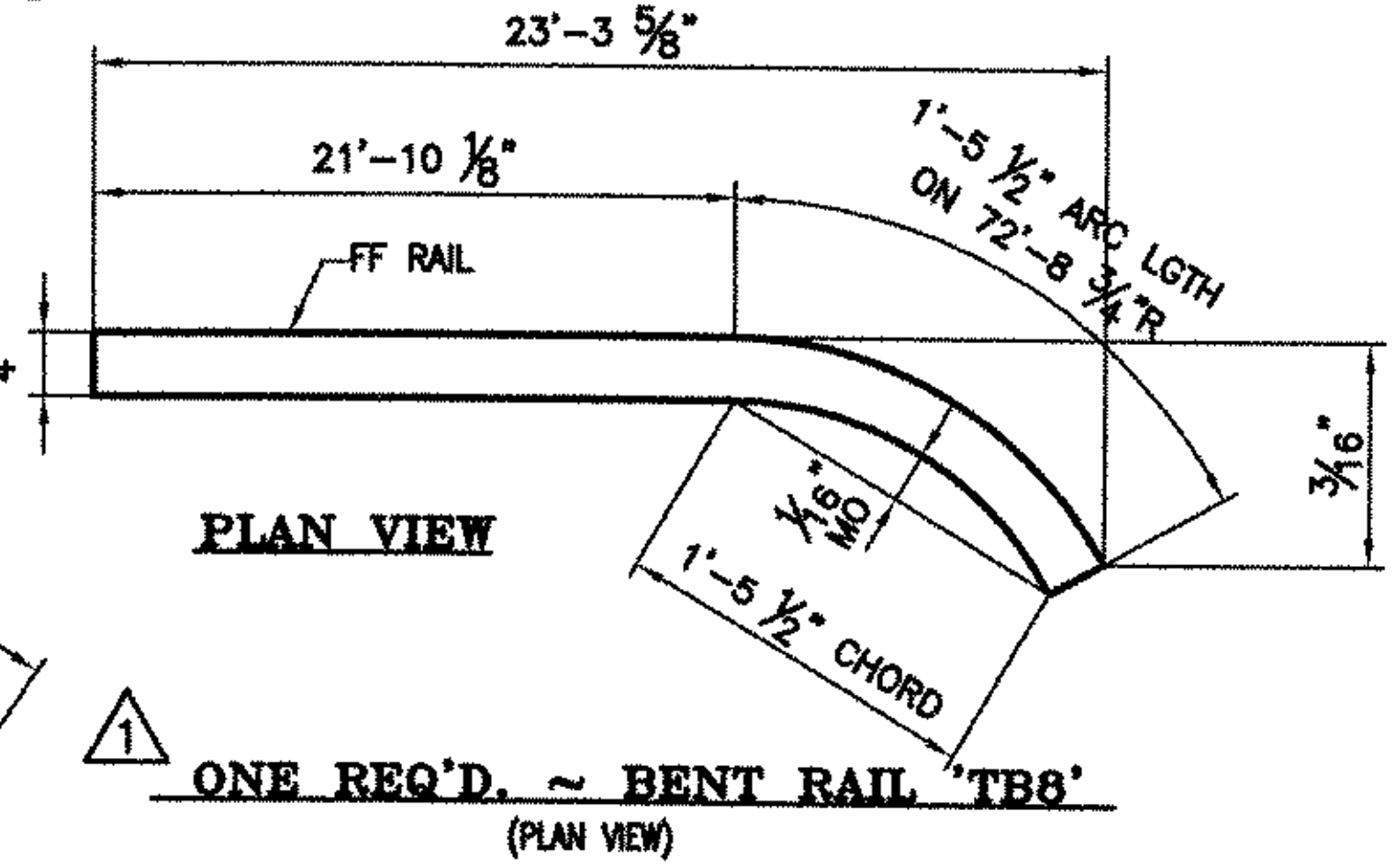
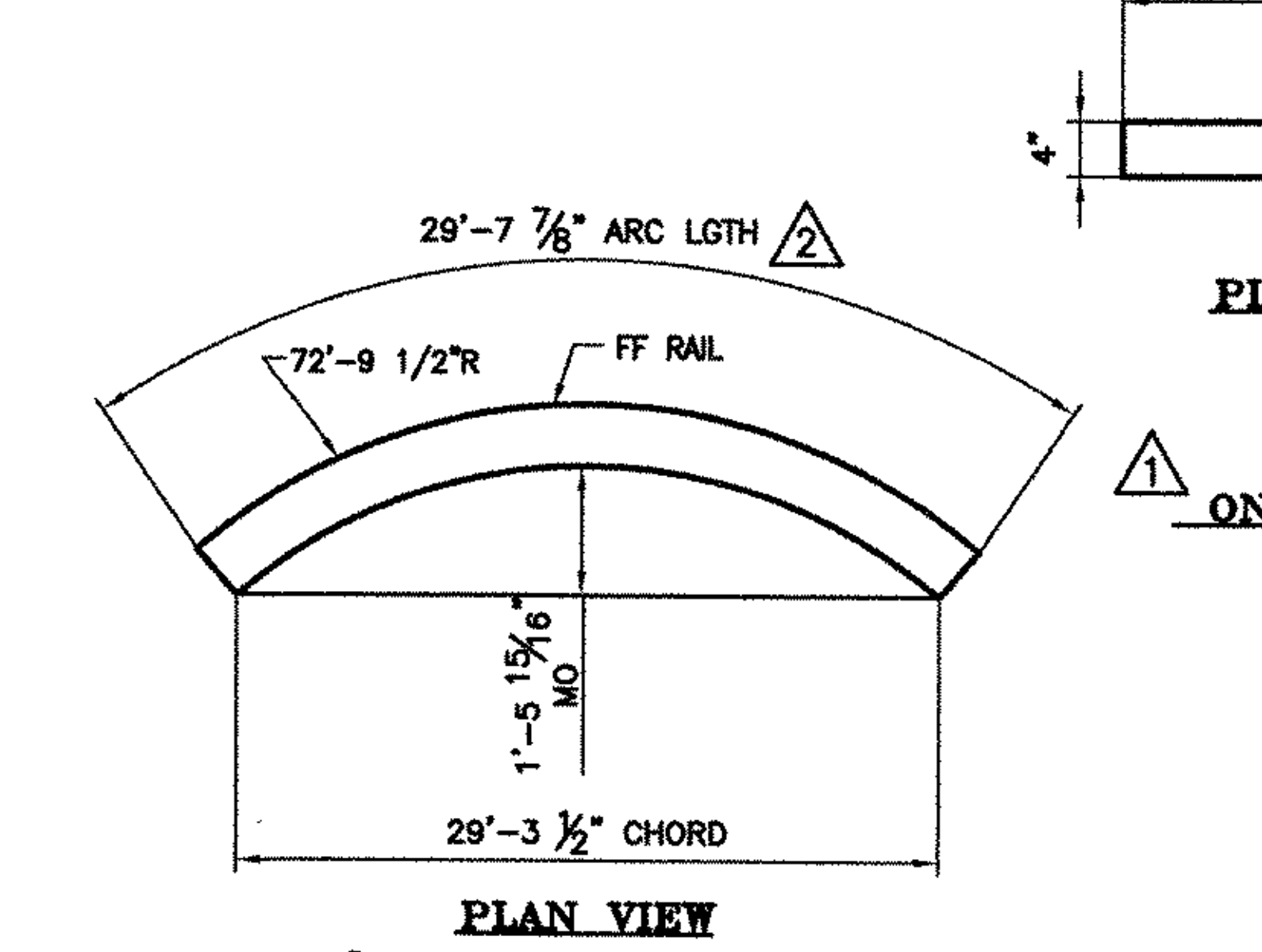
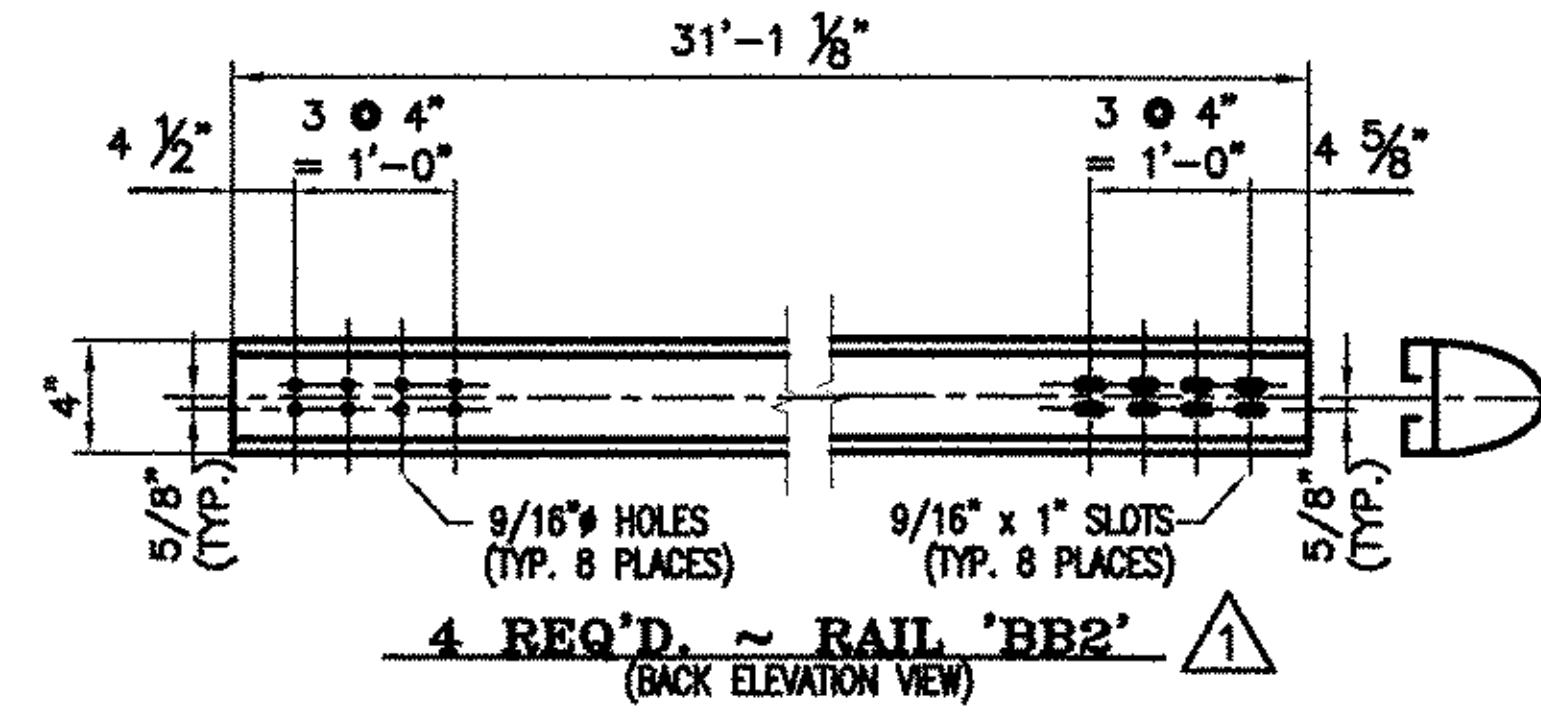


ROADWAY BEND TOP RAILS						MATL FOR BENDING
MK.	QTY	ARC LGTH	MO	CHORD	RADIUS	
TB4	1	31'-0 13/16"	1'-7 3/4"	30'-8 5/16"	72'-8 3/4"	+4'-0"
TB5	1	29'-7 9/16"	1'-5 15/16"	29'-3 1/2"	72'-8 3/4"	+4'-0"



ANODIZED
(SEE NOTES ON LBS)

REV.	DESCRIPTION	BY	DATE
2	REVISED DIMENSION APPROVER MARKUP	CMS	03 27 07
1	REVISED PER APPROVER MARKUP	CMS	03 22 07

BRIDGE No. 20
PROJECT No. BHF 030-2(19)S
ITEM No. 525.22

APPROVED: _____
REC'D APPROVAL _____
DRAWING _____

L.B. FOSTER COMPANY
1016 GREENTREE ROAD
PITTSBURGH, PENNSYLVANIA 15220

FOR: BECK & BELLUCCI, INCORPORATED
VERMONT AGENCY OF TRANSPORTATION

TOWN OF CAMBRIDGE, COUNTY LAMOILLE
BRIDGE RAILING FOR VT15 (MINOR ARTERIAL) OVER LAMOILLE RIVER
3-LINE ALUM BRIDGE RAIL ~ MISC RAIL DETAILS

MADE CMS DATE 01/30/07 JOB No. ARO364 CUST. No. _____
CHECK BLJ DATE 02/27/07 DRAWING LB7 REV. No. 2