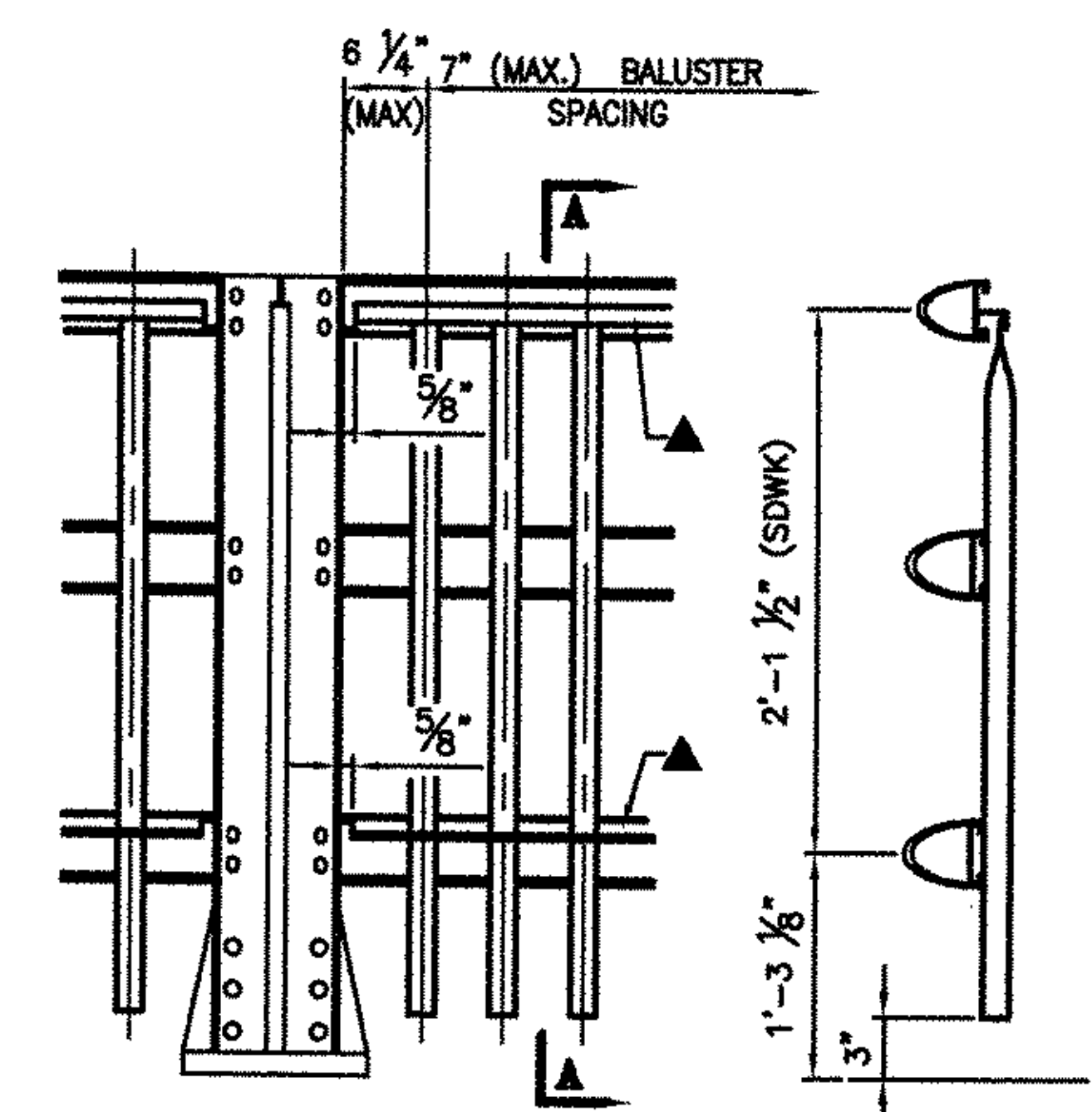
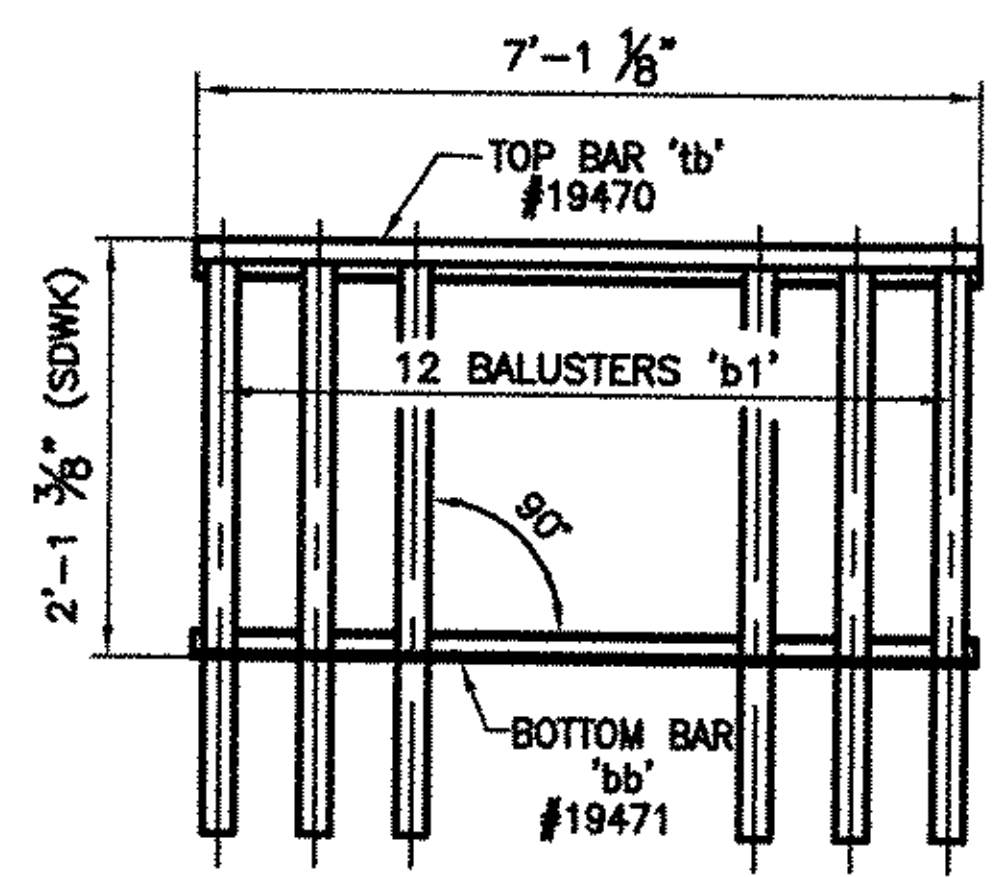
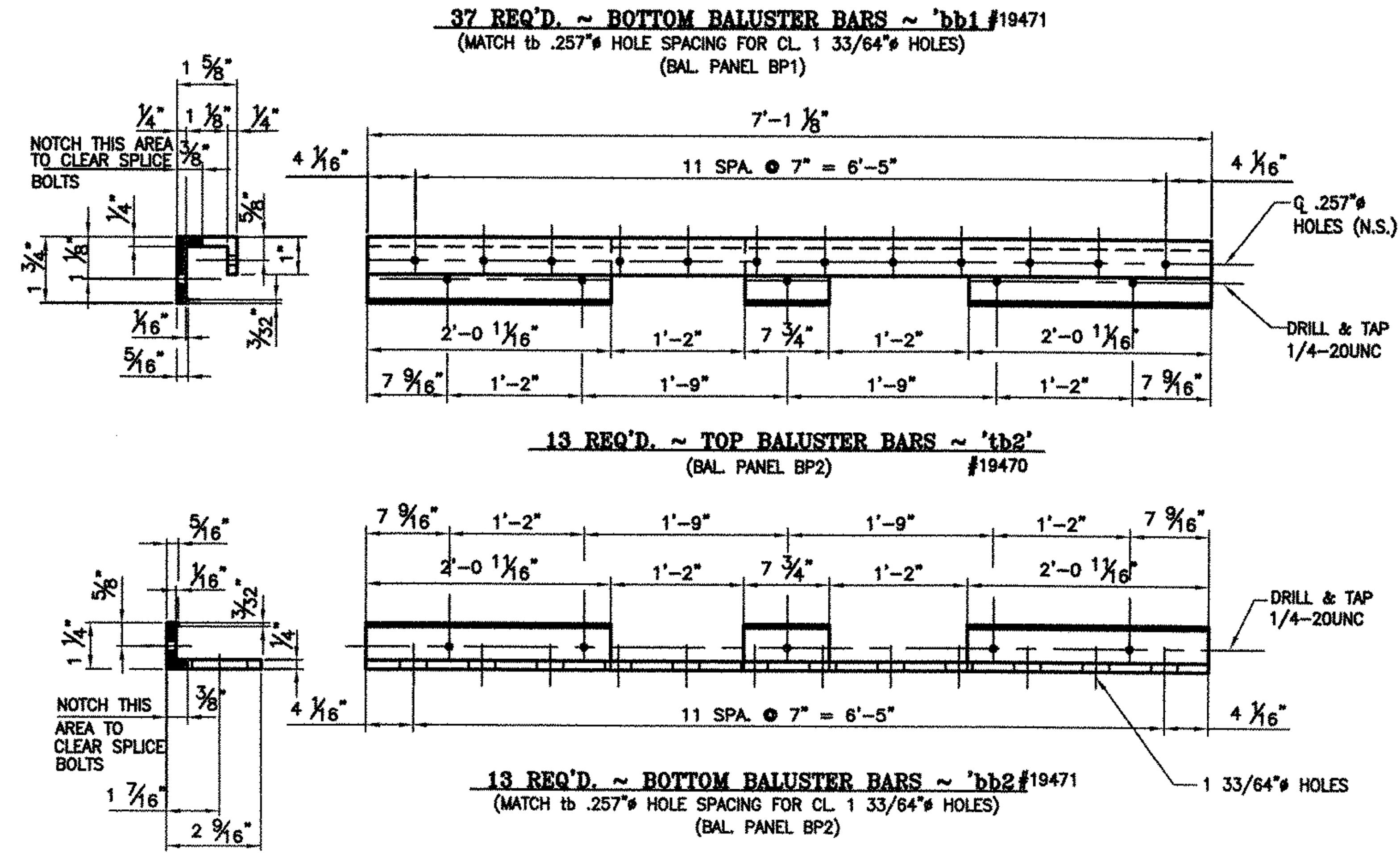


600 ~ REQ'D BALUSTERS 'b1'  
#19451

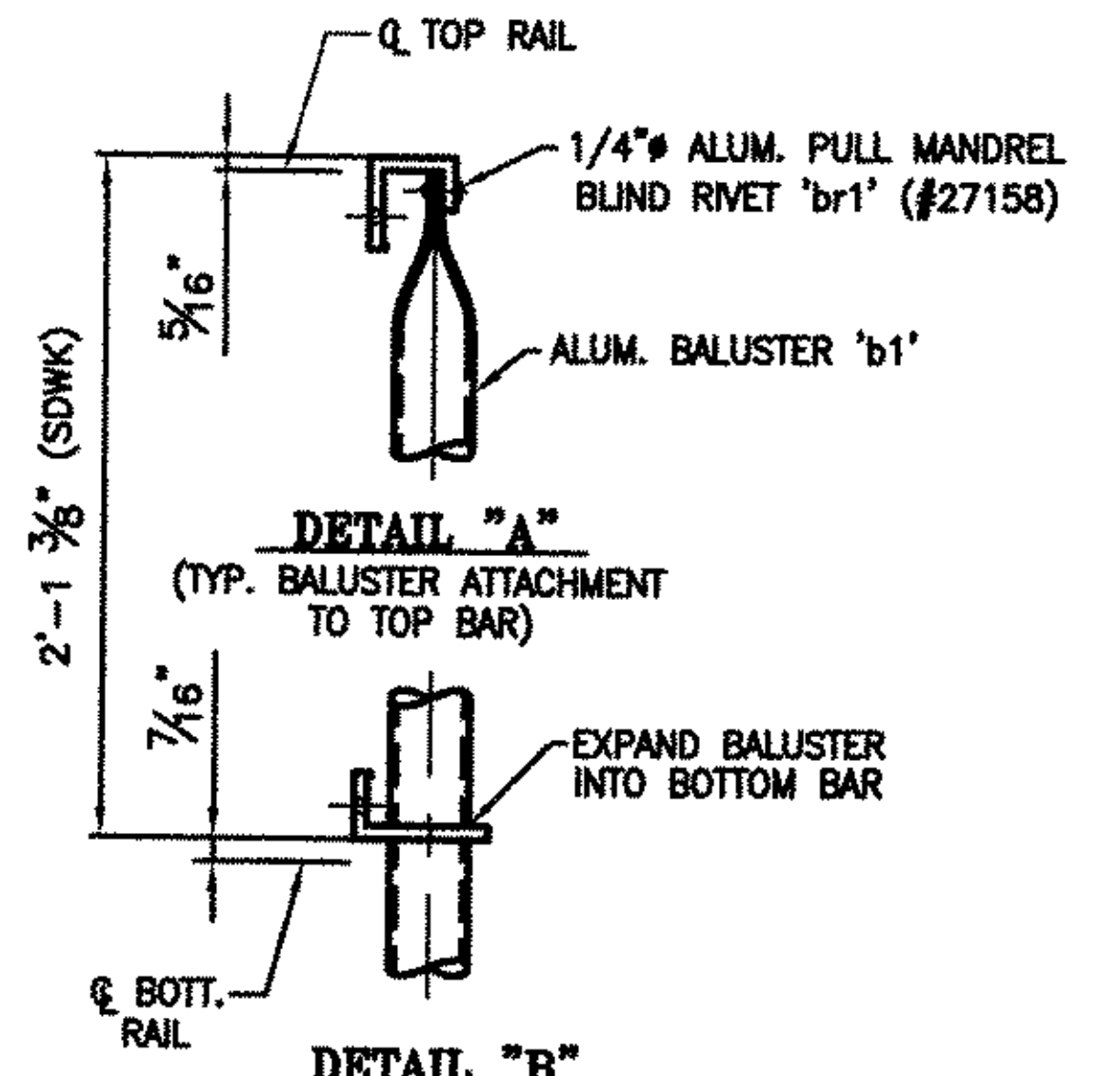


**TYPICAL ELEVATION**  
▲ 1/4\"-20UNC S.S. SOCKET SET SCREW x 1/2\" - 'SS1' (#22079) EVERY OTHER SPACE BETWEEN BALUSTERS IF POSSIBLE

**ANODIZED**  
(SEE NOTES ON LB1)



37 REQ'D. ~ BALUSTER PANEL ASSEMBLY 'BP1'  
13 REQ'D. ~ BALUSTER PANEL ASSEMBLY 'BP2'



DETAIL "B"  
(TYP. BALUSTER ATTACHMENT TO BOTTOM BAR)  
ITEM No. 525.23  
BRIDGE No. 20  
PROJECT No. BHF 030-2(19)S

APPROVED:	REC'D APPROVAL
	DRAWING
<b>L.B. FOSTER COMPANY</b>	
1016 GREENTREE ROAD PITTSBURGH, PENNSYLVANIA 15220	
FOR: BECK & BELLUCCI, INCORPORATED	
VERMONT AGENCY OF TRANSPORTATION	
TOWN OF CAMBRIDGE, COUNTY LAMOILLE	
BRIDGE RAILING FOR VT15 (MINOR ARTERIAL) OVER LAMOILLE RIVER	
3-LINE ALUM BRIDGE RAIL ~ BALUSTER PANEL DETAILS	
MADE CMS DATE 01/30/07 JOB No. AR0364 CUST. No.	
CHECK BLJ DATE 02/27/07 DRAWING LB4	REV. No.

REV.	DESCRIPTION	BY	DATE

102 RR