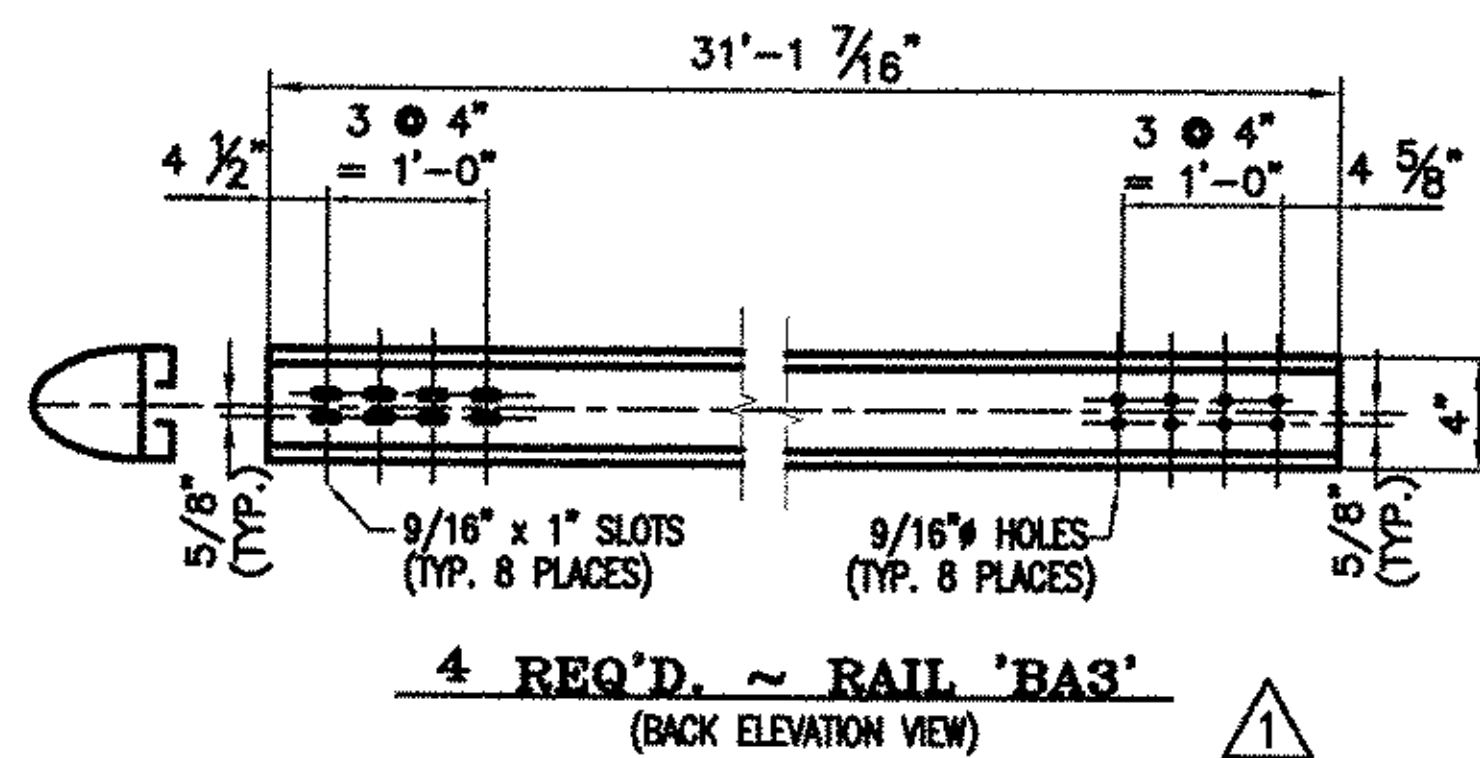
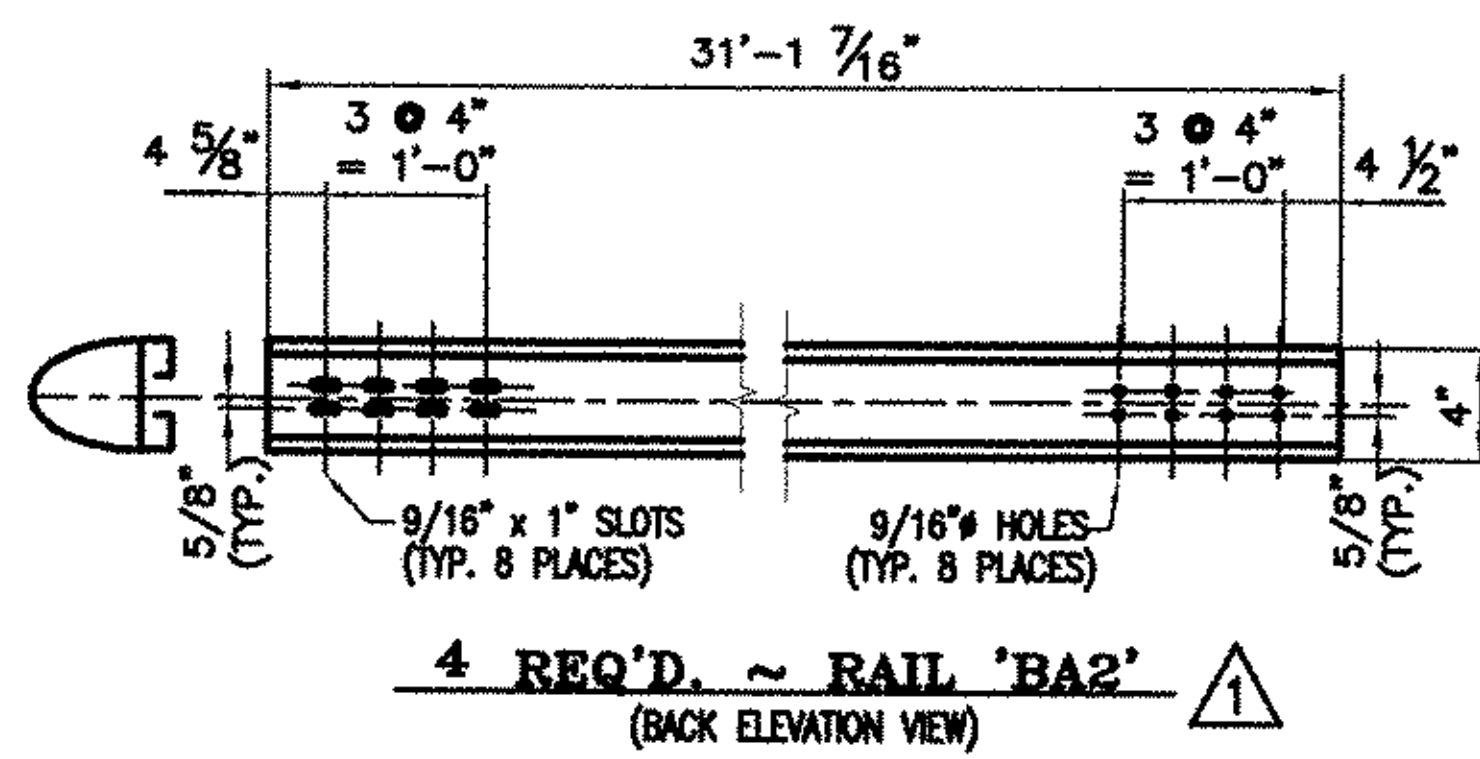
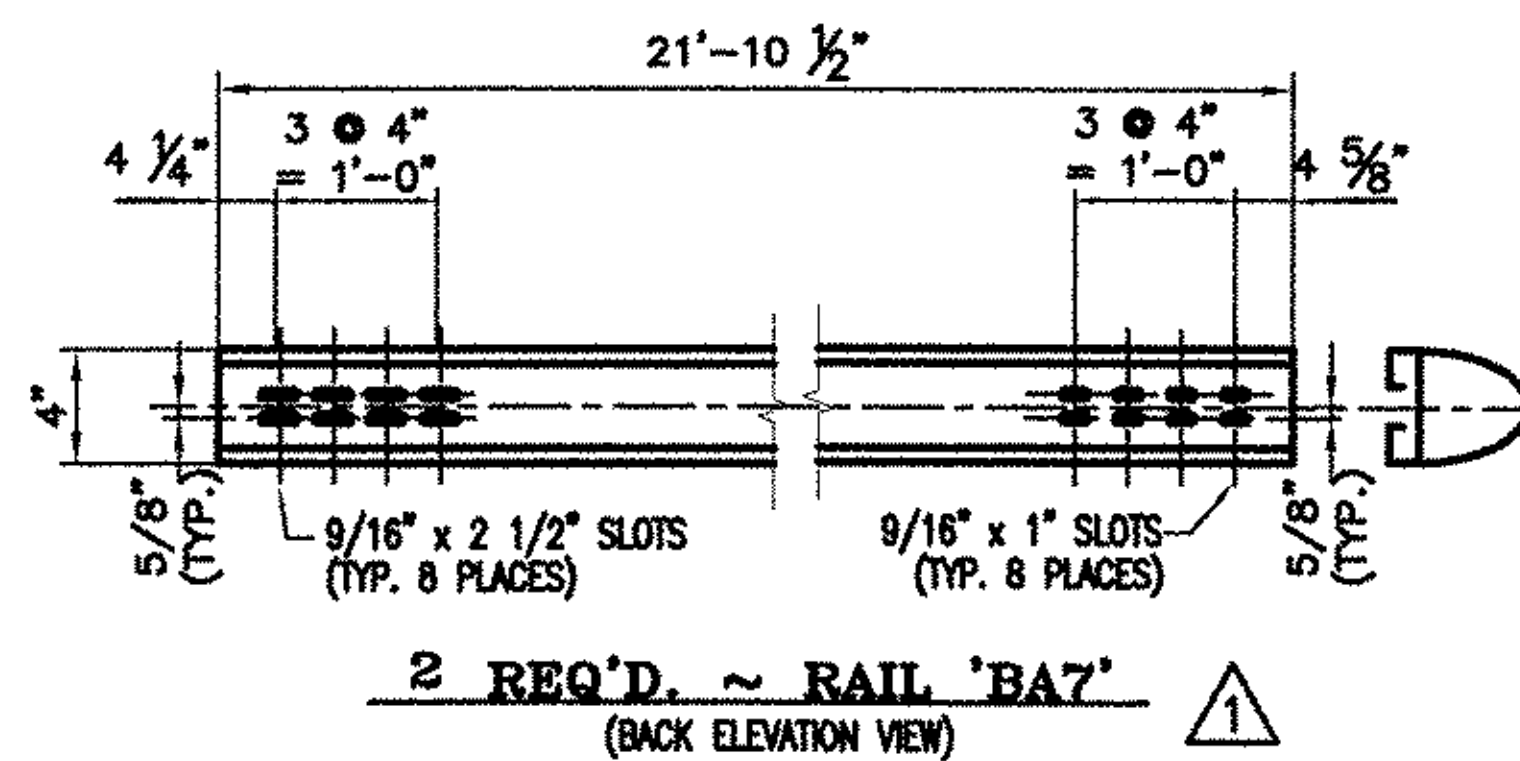
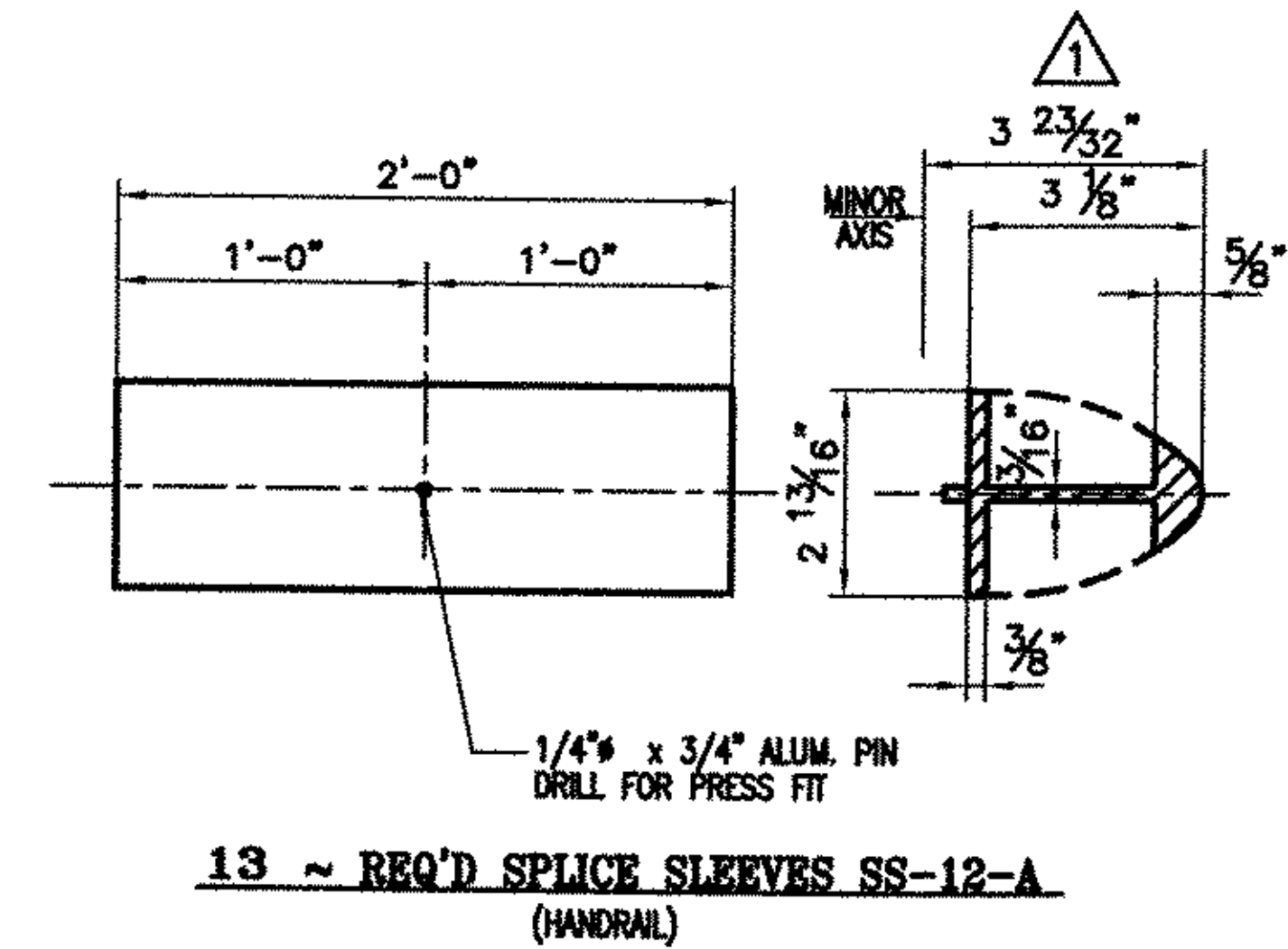
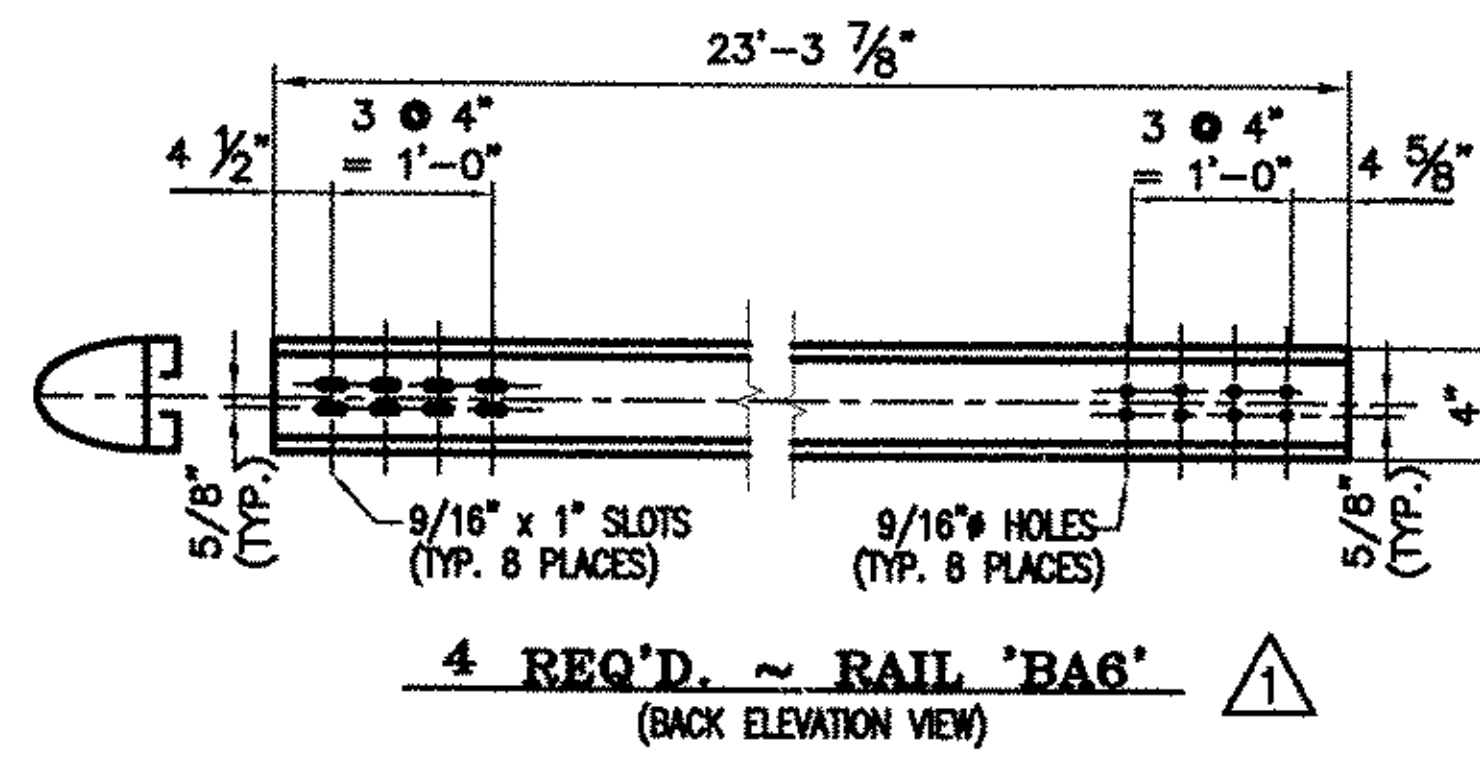
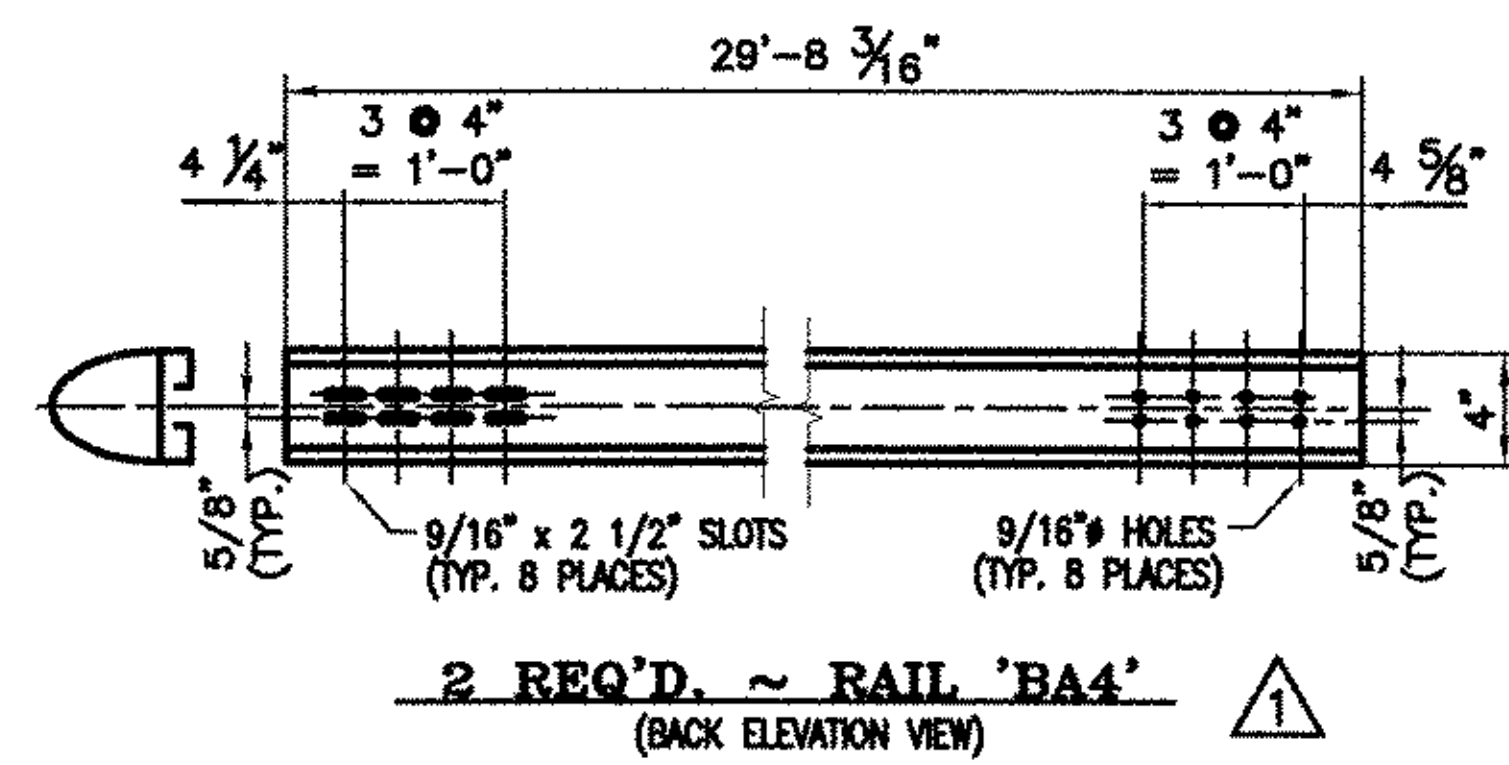


ANODIZED
 (SEE NOTES ON LB1)



BRIDGE No. 20
 PROJECT No. BHF 030-2(19)S
 ITEM No. 525.23

APPROVED: _____ REC'D APPROVAL _____
 DRAWING

L.B. FOSTER COMPANY
 1016 GREENTREE ROAD
 PITTSBURGH, PENNSYLVANIA 15220

FOR: BECK & BELLUCCI, INCORPORATED
 VERMONT AGENCY OF TRANSPORTATION
 TOWN OF CAMBRIDGE, COUNTY LAMOILLE
 BRIDGE RAILING FOR VT15 (MINOR ARTERIAL) OVER LAMOILLE RIVER
 3-LINE ALUM BRIDGE RAIL ~ MISC. RAIL DETAILS

REV.	DESCRIPTION	BY	DATE
1	REVISED PER APPROVER MARKUP	CMS	03/22/07
	CHECK BLW		DATE 02/27/07

107 BR