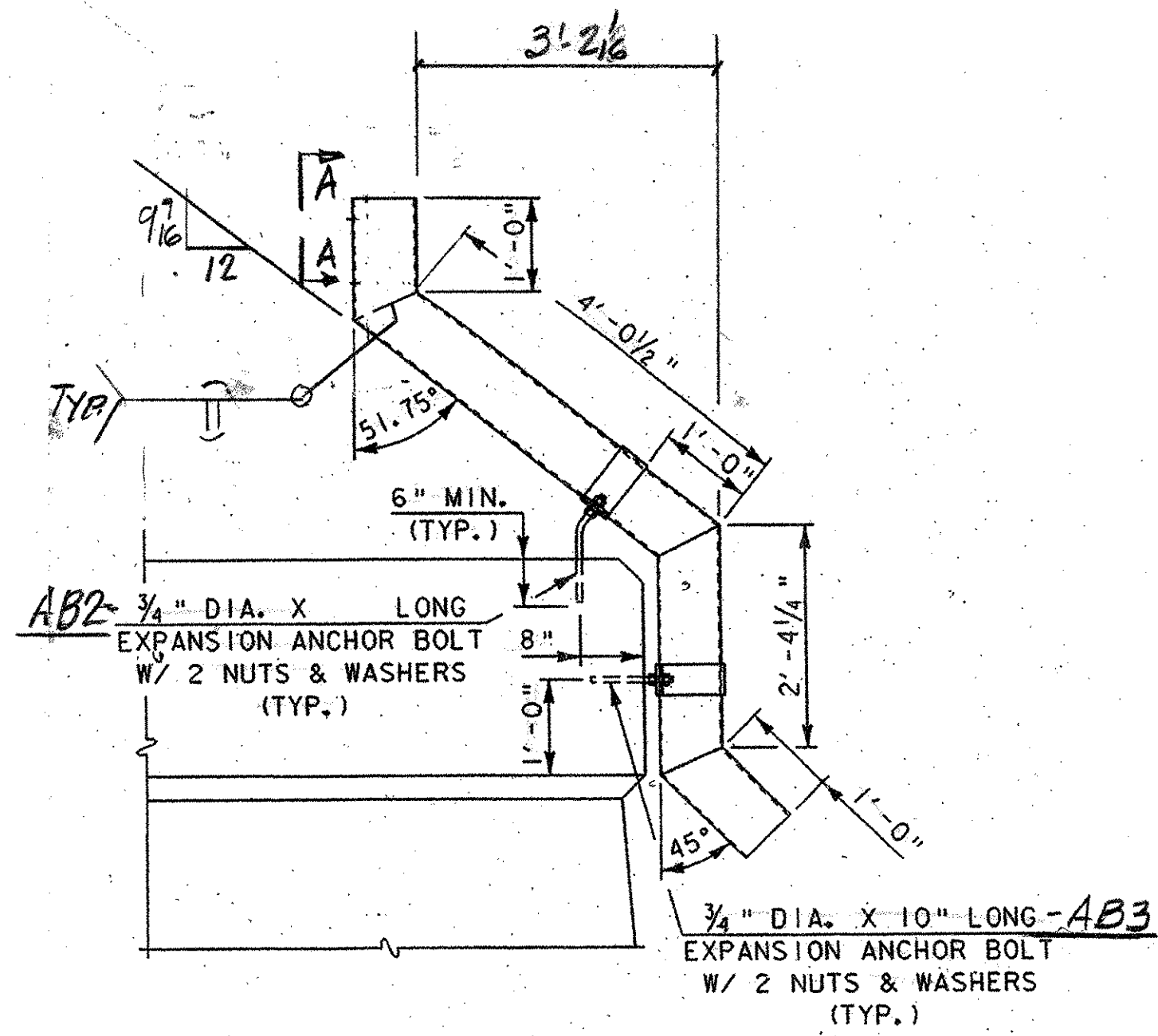
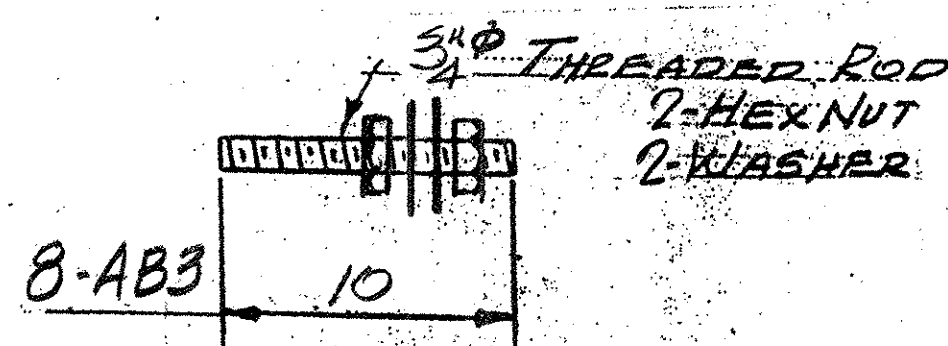
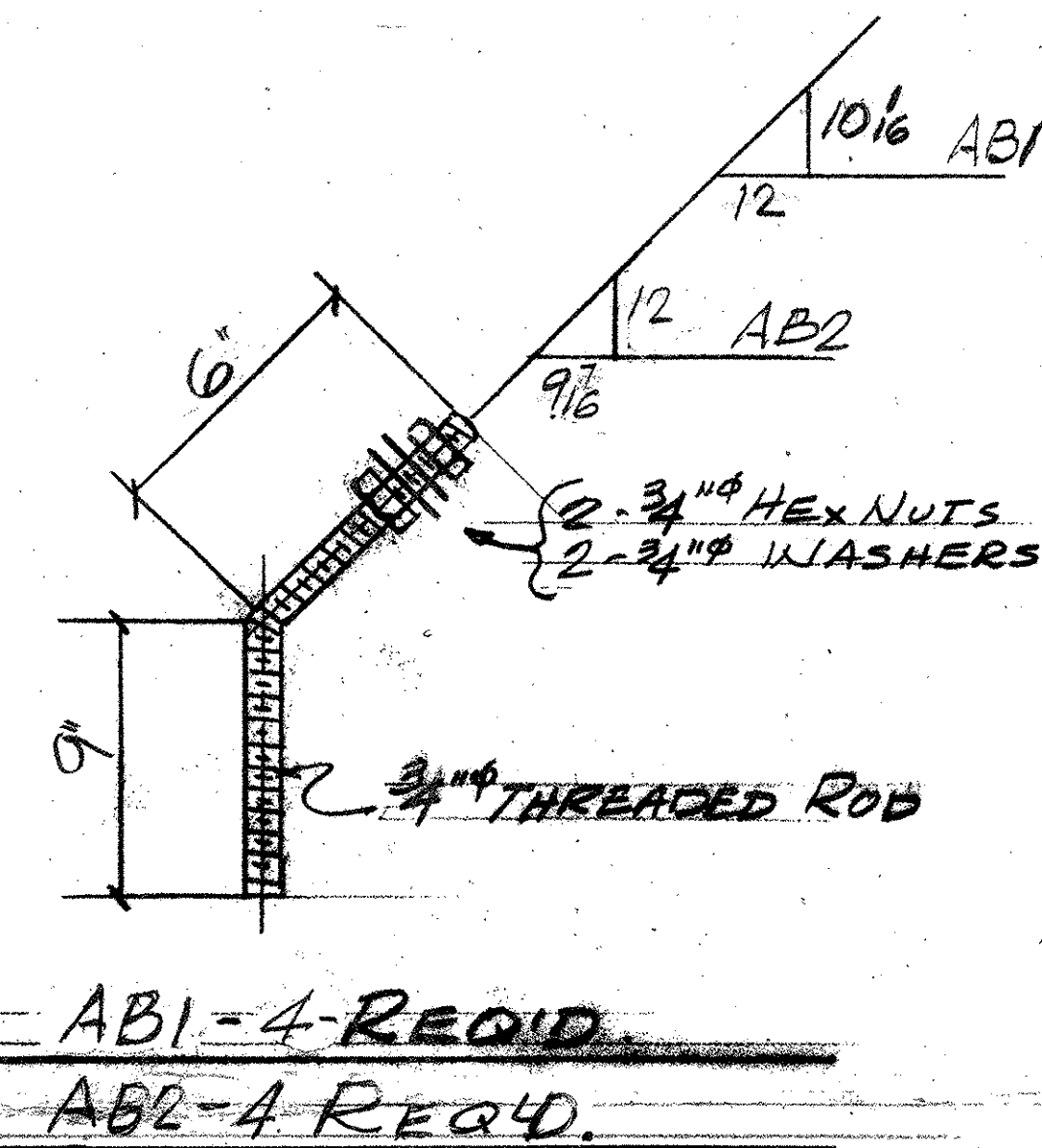
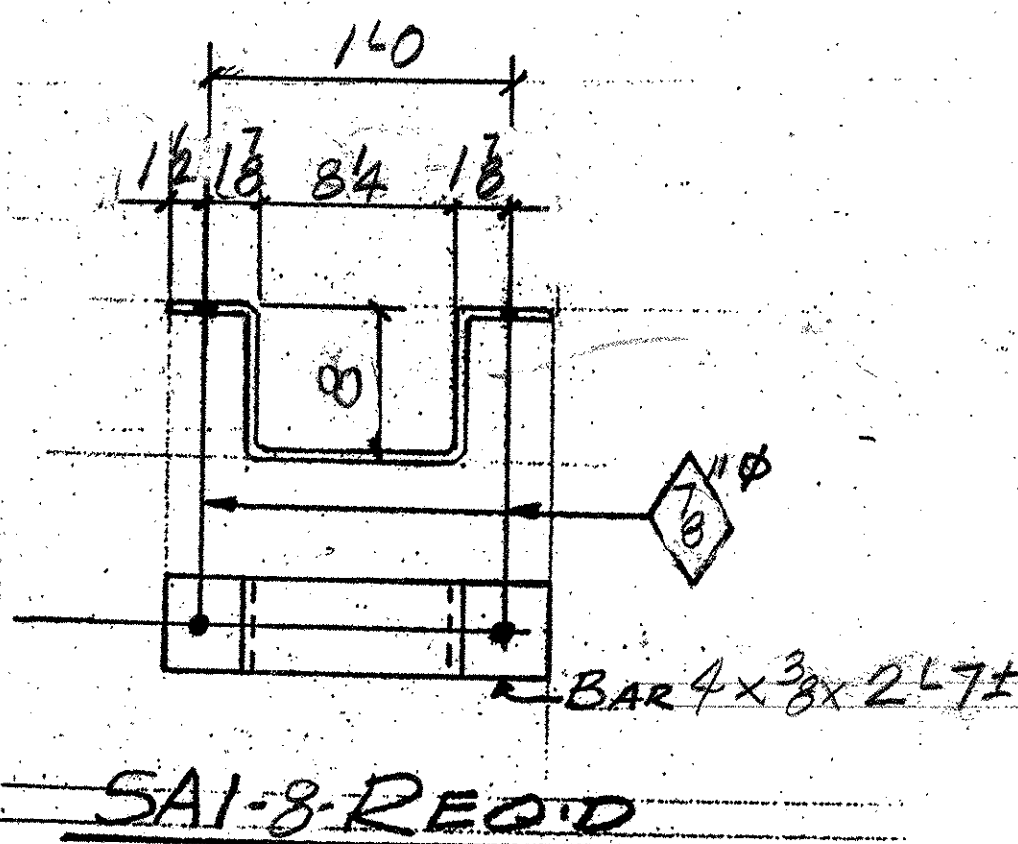
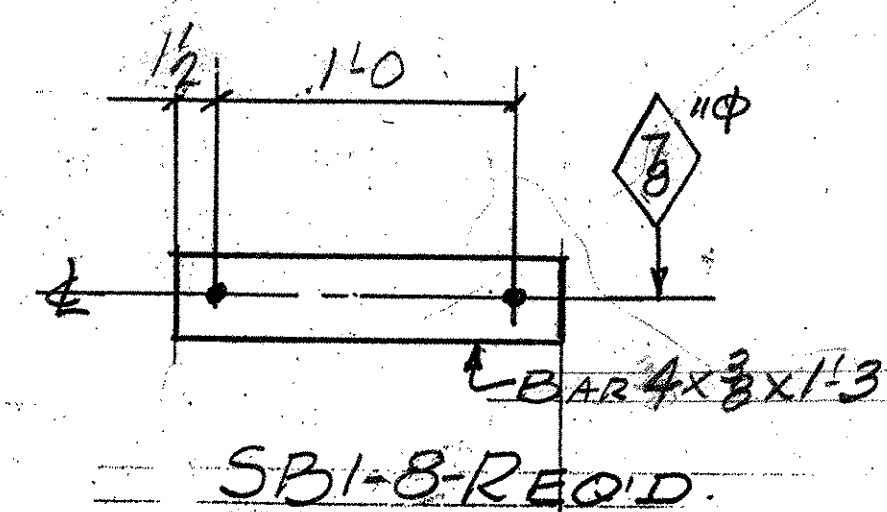


DOWNSPOUT-DS1-2 REQ'D  
AT SIDEWALK FASCIA



DOWNSPOUT-DS2-2 REQ'D  
AT CURB FASCIA



ABM INFO		SHOP BILL				JOB NO.	DRG. NO.		
PAGE	LINE	NO.	DESCRIPTION	FT	IN	ASSEM. MARK	SHIPPING MARK	REMARKS	WEIGHT
	2		DOWNSPOUTS	7	02			DS1	
	2		DO	7	02			DS2	
	1		75 8x8x4	32	04	SHOP		ASTM A500-A501	
	8		BAR 4x3x8	1	08			SBI	
	8		DO	2	71			SBI	BEND
	4		3/4 THREADED ROD	1	3			AB1	BEND
	4		DO	1	3			AB2	BEND
	8		DO	2	10			AB3	
			32 3/4 HEX NUTS			SHOP			
			32 3/4 WASHERS			SHOP			

PAY ITEM 506.60

OUT FOR APPROVAL	4-13-07
ISSUED TO SHOP	
FIELD & OFFICE	
REV. REMARKS	DATE DWN CHK APP Q.A. NO. DIA. LGT TYPE WASHER
PROJECT NO. BHF-030-2 (19) S STATE PROJECT NO. BRIDGE-20	
MATERIAL: ASTM A36/A307 ELECTRODES: PER PROC HOLES: AS NOTED SHOP BOLTS: -	
SURFACE PREP. & PAINT:	
GALVANIZE AFTER FAB (ASTM-A123)	
BOLTS ETC (ASTM-A153)	
DESCRIPTION: DOWNSPOUTS	DRAWN BY: JPF
JOB: VERMONT 15 OVER LAMOILLE RIVER CAMBRIDGE, VT.	DATE: 2-07
	CHKD BY: E.J.
	APPROV BY: Q.A.
CUSTOMER: BECK & BELLUCCI	
CASCO BAY STEEL STRUCTURES, INC.	JOB NO. 313 DRG. NO. S3
75 SPRING HILL ROAD SACO, MAINE 04072	PHONE (207) 282-7360 FAX (207) 282-1179

RECEIVED  
 FEB 21 2007  
 APPROVED: AS/Narco