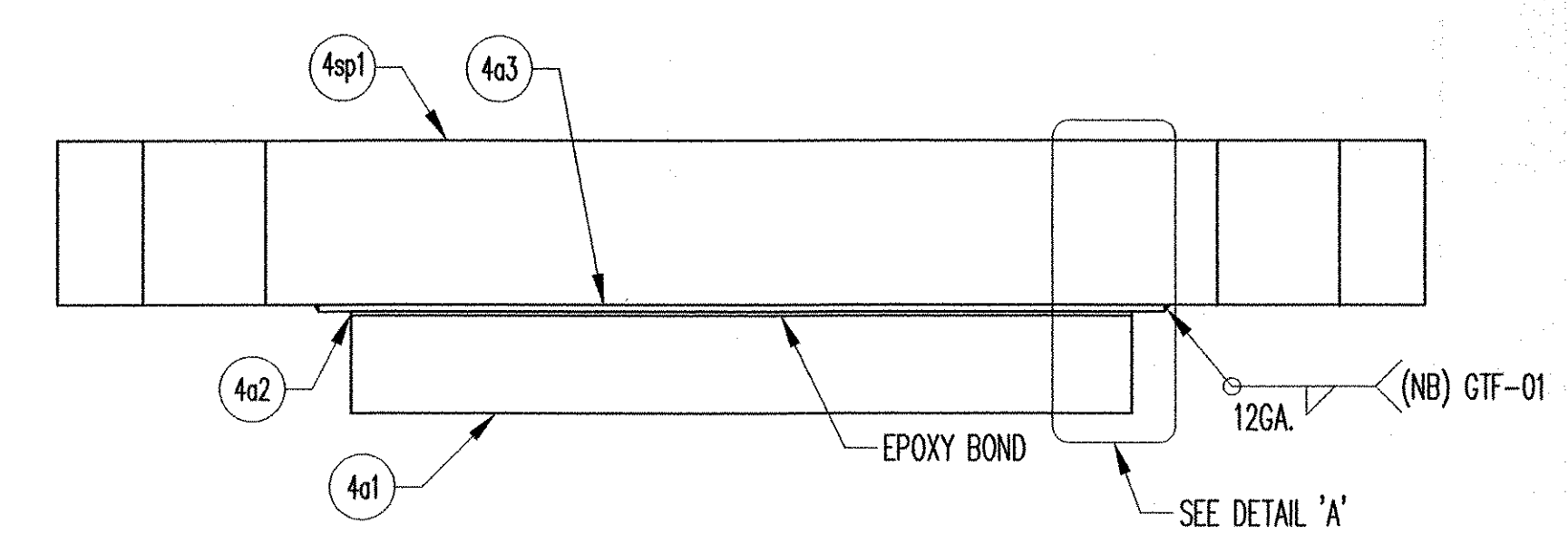
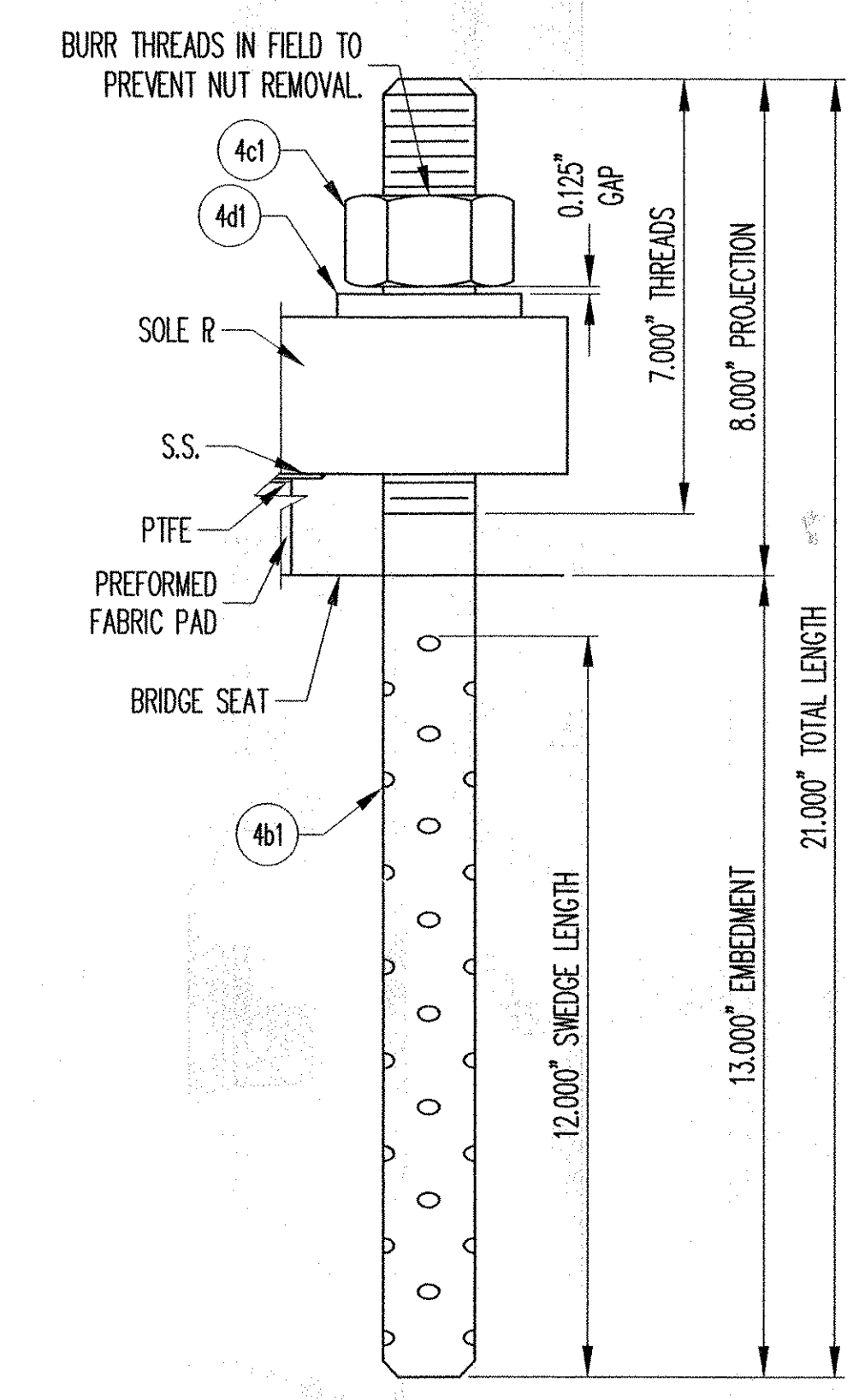


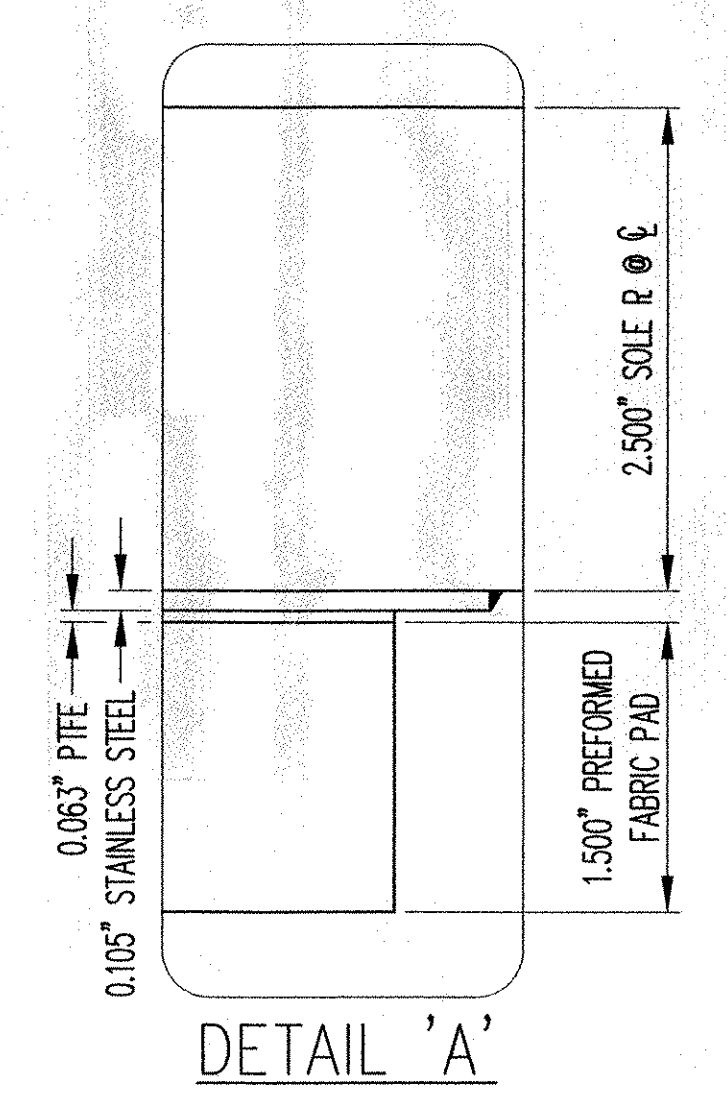
**PLAN VIEW**  
SLIDING PREFORMED FABRIC BEARING  
(6) REQ'D @ SPAN 1, PIER 1, BEAM 2-7



**SECTION 'A-A'**



**SWEDGE ROD DETAIL**



**DETAIL 'A'**

MK	QTY.	DESCRIPTION	MATERIAL	LENGTH	REMARKS	PART NO.
4A	6	FABRIC BEARING				
4a1	6	1.500" X 12.000"	AASHTO 18.4.9.	7.000"		
4a2	6	0.063" X 12.000"	PTFE	7.000"	PURE VIRGIN UNFILLED	
4a3	6	12 GA. X 13.000"	A240 T304, #8 & 2B	10.500"	PLAIN	
4sp1	6	2.555" X 21.000"	A709 GR 36	11.000"	A123-HDG	
4B	12	SWEDGE ROD				
4b1	12	1.500" X 21.000" SWEDGED ROD	A449		7" THREADS, 12" SWEDGE, A153-HDG	
4C	12	HEAVY HEX NUT				
4c1	12	1.500" HEX NUT	A563-DH OR A194-2H		A153-HDG	
4D	12	WASHER PLATE				
4d1	12	0.375" X 3.000"	A36	3.000"	1.625" DIA. HOLE @ CENTER; A123-HDG	

NOTE: ALL MATERIAL SPECIFICATION DESCRIPTIONS ARE ASTM, UNLESS OTHERWISE NOTED.

**LOAD TABLE**

LOAD DATA	
DEAD LOAD REACTION (KIPS)	32.8
LIVE LOAD REACTION (KIPS)	58.0
TOTAL LOAD REACTION (KIPS)	90.8

**RECEIVED**  
CK'D BY: LAB CK'D BY: \_\_\_\_\_  
FEB 22 2007  
RESUBMIT: \_\_\_\_\_ APPROVED: [Signature]  
BY: [Signature] DATE: 2/26/07

SEE SHT. GN1 FOR GENERAL NOTES.

REV.	DESCRIPTION	DATE	DET.	CKD.
Δ	ADDED NEW SHT. FROM SHT. 2	2/15/07	DA	NRH

LOCATION	ITEM	QUANTITY
VT 15 OVER LAMOILLE RIVER	19368-1106-2	6 OF 7
BRIDGE - 20	-	-
PROJECT - BHF 030-2(19)S	-	-
-	-	-
-	-	-
-	-	-
DESIGNER - URS	-	-
CUSTOMER - BECK & BELLUCCI, INC.	-	-

SCALE	DRAWN BY	CHECKED BY	DATE
N.T.S.	DA	NRH	2/15/07
PRODUCT NUMBER	PRODUCT CODE	RELEASE	SHEET
19368	1106	1	04

**D.S. BROWN**

THE D.S. BROWN COMPANY  
300 E. CHERRY STREET  
NORTH BALTIMORE, OHIO 45872  
419.257.3561  
FAX: 419.257.0332  
WWW.DSBROWN.COM